



Detex Corporation, 302 Detex Drive, New Braunfels, Texas 78130-3045
830-629-2900 / 800-729-3839 / Fax 800-653-3839 / Text photos only: 830-481-6433 / INTERNET: www.detex.com

INSTALLATION INSTRUCTIONS FOR 01W ADVANTEX TRIM

DWG #: 101898

Table of Contents	Page
Device parts breakdown view & part numbers.....	2
Door Prep - Interior Door Face.....	3
Assemble Trim to Door.....	3

TOOLS AND SUPPLIES

- Safety Glasses
- (Always put on safety glasses prior to beginning installation of unit)**
- Pencil
- Center Punch
- Hammer
- Drill Motor
- Drill Bits & Taps
- Screw Driver (Phillips Drive)
- Tape Measure

For WARRANTY information,
scan code below or
go to www.detex.com/warranty

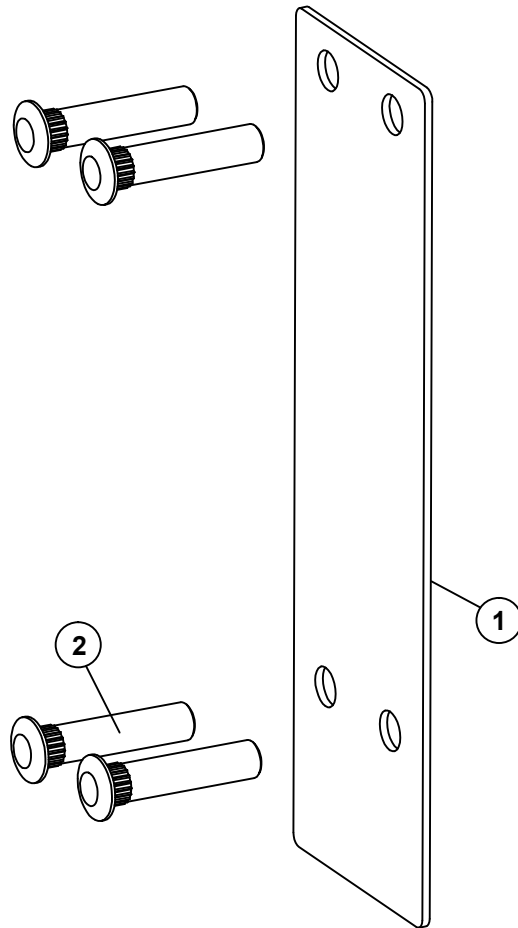
For device installation videos,
scan code below or
go to www.detex.com/videos



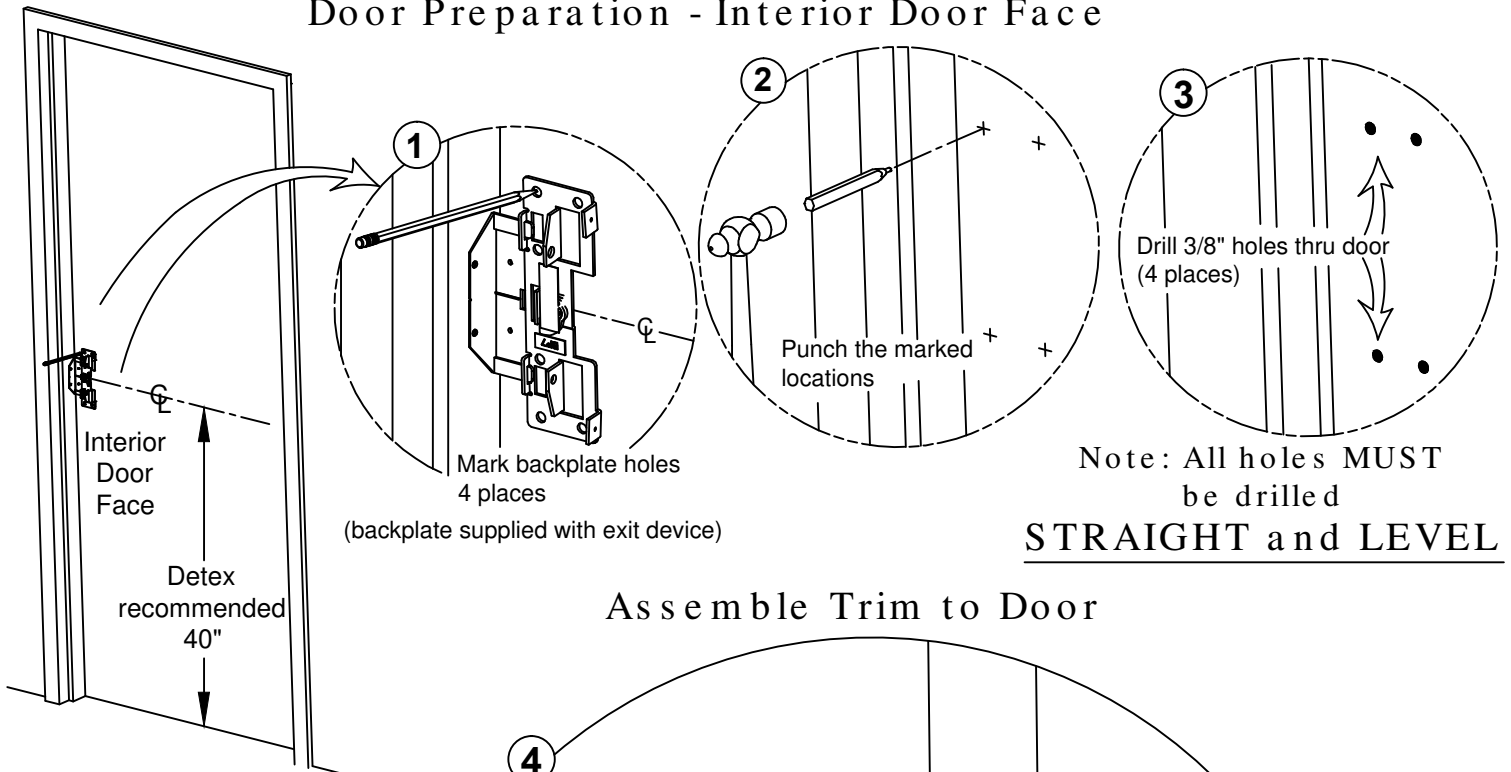
Owner's Copy



ITEM	PART NO.	QTY	DESCRIPTION
1	101911-9	1	TRIM PLATE, 01W, BRUSHED STAINLESS STEEL FINISH (630)
2	100464-9	4	SEX NUT, 1/4-20



Door Preparation - Interior Door Face



Assemble Trim to Door

