



**LAH.00.11600**  
Denali Universal Mounting  
12-14mm Bar Clamp Phone Mount

### Thank you for choosing DENALI

We know you would rather be riding your bike than wrenching on it, so we go the extra mile to make sure our instructions are clear and as easy to understand as possible. If you have any questions, comments, or suggestions don't hesitate to give our gear experts a call at 401.360.2550 or visit [WWW.DENALIELECTRONICS.COM](http://WWW.DENALIELECTRONICS.COM)

### Please Read Before Installing

DENALI products should always be installed by a qualified motorcycle technician. If you are unsure of your ability to properly install a product, please have the product installed by your local motorcycle dealer. DENALI takes no responsibility for damages caused by improper installation. **Caution:** When installing electronics it is extremely important to pay close attention to how wires are routed, especially when mounting products to the front fender, front forks, or fairing of your motorcycle. Always be sure to turn the handlebars fully left, fully right, and fully compress the suspension to ensure the wires will not bind and have enough slack for your motorcycle to operate properly.

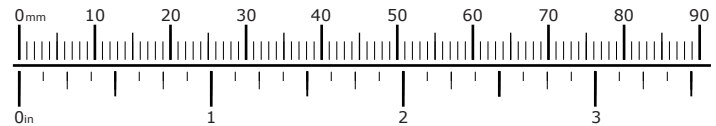
### Installation Tips

We strongly recommend using medium strength liquid thread locker on all screws, nuts, and bolts. It is also important to ensure that all hardware is tightened to the proper torque specifications as listed in your owner's manual. For included accessory hardware please refer to the default torque specifications provided below. Inspect all hardware after the first 30 miles to ensure proper torque specifications are maintained.

| Bolt Size | in-lbs      | ft-lbs      | Nm      |
|-----------|-------------|-------------|---------|
| M3        | 10.0 in-lbs | -           | 1.0 Nm  |
| M4        | 23.0 in-lbs | -           | 2.5 Nm  |
| M5        | 44.5 in-lbs | 3.5 ft-lbs  | 5.0 Nm  |
| M6        | 78.0 in-lbs | 6.5 ft-lbs  | 9.0 Nm  |
| M8        | -           | 13.5 ft-lbs | 18.0 Nm |
| M10       | -           | 30.0 ft-lbs | 41.0 Nm |
| M12       | -           | 52.0 ft-lbs | 71.0 Nm |

### Hardware Sizing Guide

Not sure what size bolt you have? Use this ruler to measure screws, bolts, spacers, etc. Remember, the length of a screw or bolt is measured from the start of the "mounting surface" to the end of the screw, so only include the screw head when measuring countersunk screws.



## What's In The Box?

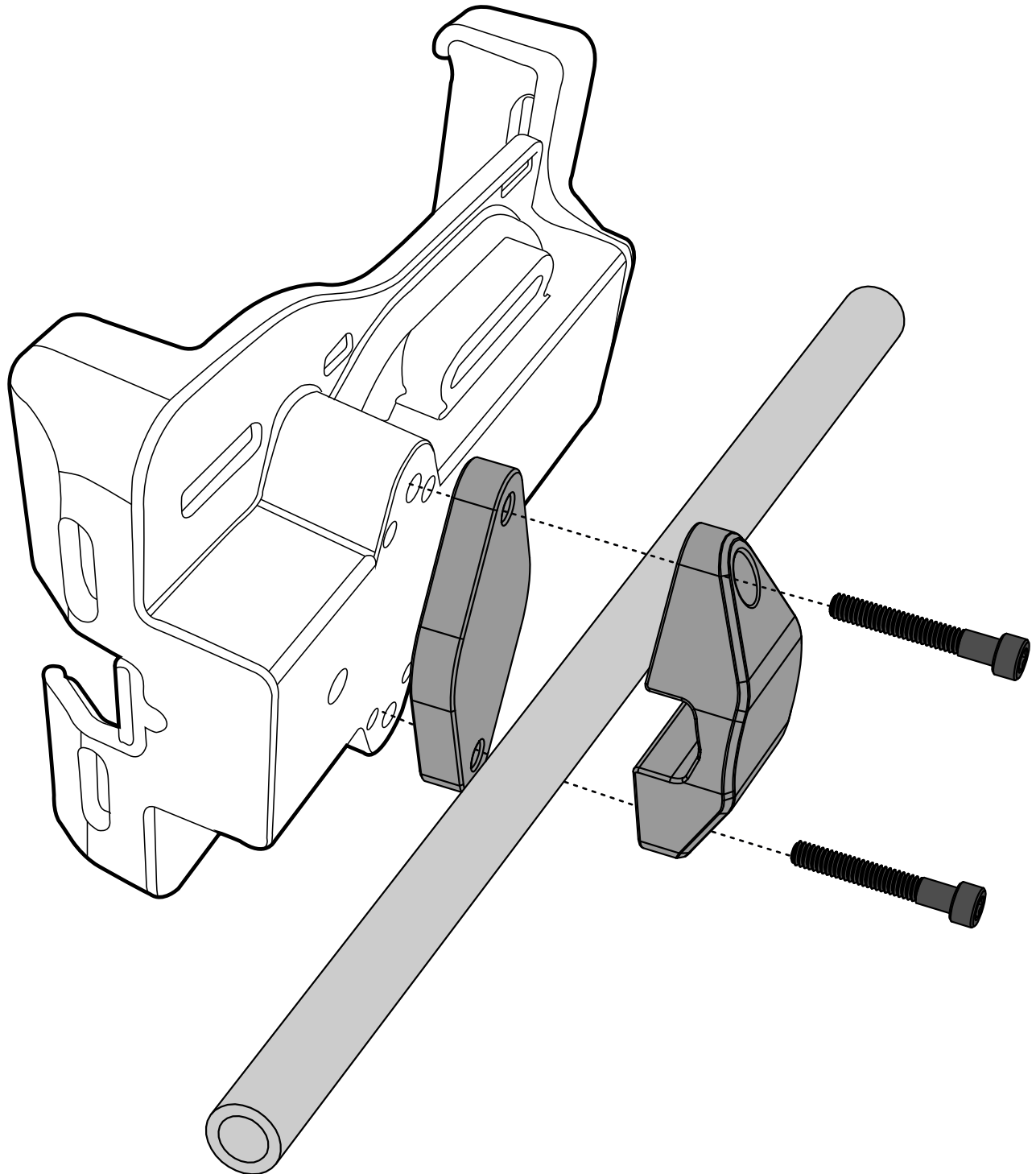


### Kit Contents

- (a) Clamp Part for 12-14mm Tube.....(LAH.00.017).....Qty 1
- (b) 8mm Spacer Plate.....(LAH.00.018).....Qty 1
- (c) 8-32 x 1-1/8 in Socket Head Screw DIN 9112.....Qty 2

- (d) 8-32 x 3/4 in Socket Head Screw DIN 9112.....Qty 2

**Tools Required:** 5/32 Hex wrench



## 1.1 - Clamp Installation

**Note:** This clamp can be installed on pipes that range from 12 to 14mm in Diameter.

**Step One:** Based on fitment and clearances, determine whether you will need to use the optional 8mm spacer (b) and longer screws (c) to mount your clamp and RAM Charger .

**Step Two:** Place the Clamp Bracket (a) over your bar in the desired location, make sure the flat face is aimed towards you and the sloped faces point towards the windshield.

**Step Three:** Align the mounting holes on the back side of the RAM Charger with your bracket and secure it using the Socket Head Screws (c or d).

**Note:** The whole assembly may have to be rotated downwards to have proper access to your brackets (a) mounting holes.