

DELLATM ICE MAKER

Instruction Manual

item no. 048-GM-48220
item no. 048-GM-48221



Thank you for purchasing our product
Make sure you have read manual before using, properly use
the appliance in accordance with the instructions.
Please well keep this instruction manual



www.dellaproductsusa.com
(949)344-2588

Directory

Basic Introduction -----	1
Product Features -----	1
Components' Names -----	1
Safety Precautions -----	1
Place Environment -----	2
Preparation before Use -----	2
Start to Use-----	2
Operation Panel -----	3
Faults and Treatments -----	3
Cleaning and Off Use -----	4
Technical Parameters -----	4

	4. Refrigerant leaks.	
Abnormal noise	Fan or pump is damaged.	1. Set up the appliance in right location. 2. Maintenance in professional department.

IX. Cleaning and Off Use.

1. Make sure to unplug the appliance before cleaning and long time off use.
2. Use a damp cloth to clean both the interior and exterior of the appliance.
3. Water tank cleaning.
 - 1). Unscrew the nut of water outlet, drain off the water.
 - 2). Pour clean water into the water tank, use a clean cloth to wipe water tank around. Pour clean water again until the flowing out water is clean, then drain off water and grip the nut.
4. Do not use organic solvents, boiling water, cleaning agents, strong acids, strong acid and Alkali etc substances for cleaning.
5. If ice machine will be off use for a long time, you should unplug the appliance, drain off the water and dry the appliance with a clean cloth, store the ice maker in a clean place.

X. Technical Parameters

Model no.:	048-GM-48220/048-GM-48221
Power supply	Refer to rating label
Refrigerant	Refer to rating label
Ice making capacity	12-15kgs
Max ice storage	1.0kg
Max water storage	2.8kg
Clock function	No
Time setting	No
Filling water alarm	Yes
Ice full alarm	Yes
Functions Achieve	Button
Display mode	LED
Outer sizes	297×360×337mm
Net weight	11.5kg

4

Basic Introduction

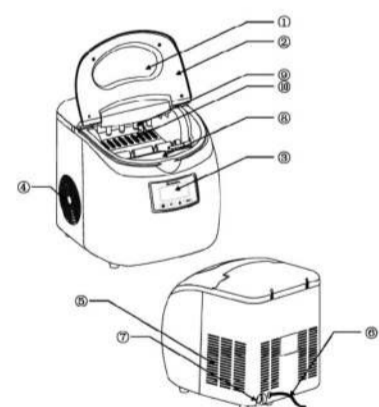
Ice maker is a professional product used to make ice cubes. With a luxurious appearance, Antiseptic internal material, it is suitable for long-term use. Automatically ice-making system work in high speed, and it always process the ice cubes in standard shape stably. The ice cubes will not agglomerate, it is always easy-working and in good looking. Three different modes of ice cubes could be processed according to your personal setting.
In order to keep the ice maker working efficiently and smoothly, please always follow our instructions to operate ice maker.

I. Product Features

1. Adopting compressor refrigerating technology, the ice maker process ice cubes very efficiently.
2. This Ice maker is widely used in various places, household, saloon, restaurant, etc.
3. Specific item has timing setting function, this improves the humanness of Ice maker.
4. Ice making status is watched through the transparent
5. Push-button operation. LED indicator light or LCD screen indicates the working status dynamically
6. Automatically reminding for water shortage and ice cubes fullness, ice making status is always mastered

II. Components' Names

- Transparent window
- Cover
- Operation panel
- Air outlet
- Air inlet
- Power cord
- Water outlet
- Ice storage box
- Evaporator
- Ice making box



III. Safety precautions

1. Power source must be suitable for the standards of Ice maker. If the voltage fluctuation range is big (Out of the rated voltage $\pm 10\%$), the ice maker may not work smoothly. In such conditions, please use the ice maker with a voltage regulator.

1

2. Hazardous articles which are explosive and flammable are prohibited to put inside ice maker, as well as highly corrosive acid and alkali.
3. While the power cord is damaged or the plug is in fault, stop use ice Maker. Cable and plug should be replaced by professional people.
4. Catch the plug to unplug it from the socket, do not pull the cable for unplugging.
5. Do not use ice maker in a place with coal gas or other flammable gas leakage.
6. Before cleaning or maintenance e, remember to unplug.
7. Ice maker is special for making ice cubes, do not use it to refrigerate food or beverages, so as to avoid machine damage.
8. Do not use or store gasoline or other flammable materials besides Ice maker, so as to avoid fire disaster.
9. Unplug the cable before moving Ice maker, so as to avoid the damage to refrigerating system.
10. Without professional people, do not break down Ice maker, so as to avoid human hurt.
11. Only use the appliance for its intended purpose. The Appliance is not intended for use by persons (including Children) whose physical and mental ability is flawed, or those who lack of experience and electric knowledge, including the children. Unless they have been given supervision or instructions concerning the use of the appliance by a person responsible for their safety.
12. Never let children operate the appliance alone.


IV. Place environment

1. Place the Ice Maker securely onto a sturdy and even surface.
2. Away from heating source and avoid direct sunlight, so as not to impact the ice-making performance
3. Ice maker should work in a place with well ventilations. Ensure that a minimum space of 20cm from Ice maker's air outlet and inlet is not obstructed
4. Ambient temperature for Ice maker could not be less than 5°C.
5. Ice maker should not be used outdoor.

V. Preparation before Use.


1. Break down all the package components.
2. Make an inventory accessories and instructions.
3. Place the ice maker in a suitable position.
4. It is better to clean the machine before use.

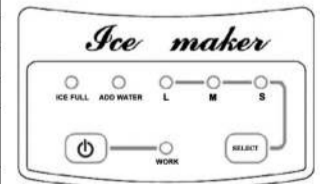
VI. Start to Use

1. Switch on the power source. Do not turn on the Ice maker within 30 minutes after moving the ice maker.
2. Pour water into the water tank. Please use drinking water for making ice.
3. Press  key to start making ice.

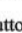
2

VII. Operation Panel.

Buttons and Icon	Functions
 Button	Making Ice, Standby, Eliminating faults.
SELECT Button	Selecting Ice cube size.
WORK indicator	Power indicator
ICE FULL indicator	Indicate Ice cube fullness.
ADD Water indicator	Indicate water shortage, need filling water.
L / M / S indicator	Three modes of Ice cube size. Large, Middle, Small. Default Setting is M.



VIII. Faults and Treatments

Faults	Reason	Treatment
WORK indicator is not light.	Power Source is not switched on.	1. Check the power supply matches 2. Check the power cord is connected correctly 3. Internal components is damaged. Maintenance in professional department.
ICE FULL indicator is light.	1. Ice fullness. 2. low-temperature protection (temperature is lower than 5°C.).	1. Remove the full Ice cube. 2. Move the Ice maker to a warmer place, where the ambient temperature is higher than 5°C.
ADD WATER indicator is light.	Water Shortage	1. Add drinking water into Ice maker, and press  Button. 2. Water supply system is damaged. Maintenance in professional department.
ICE FULL indicator and FILL WATER indicator are both light..	Ice Making box is homing in wrong position.	1. check whether any foreign body stuck the ice making box. 2. Internal components is damaged. Maintenance in professional department.
Ice making performance is not good.	1. Heat elimination is bad. 2. Water temperature is too high. 3. Ambient temperature is too high.	1. Clean the dust on the cooling fan and air inlet/outlet part. 2. Fill normal temperature water. 3. Do not place the appliance in high temperature conditions. 4. Refrigerating system is damaged. Maintenance in professional department.

3