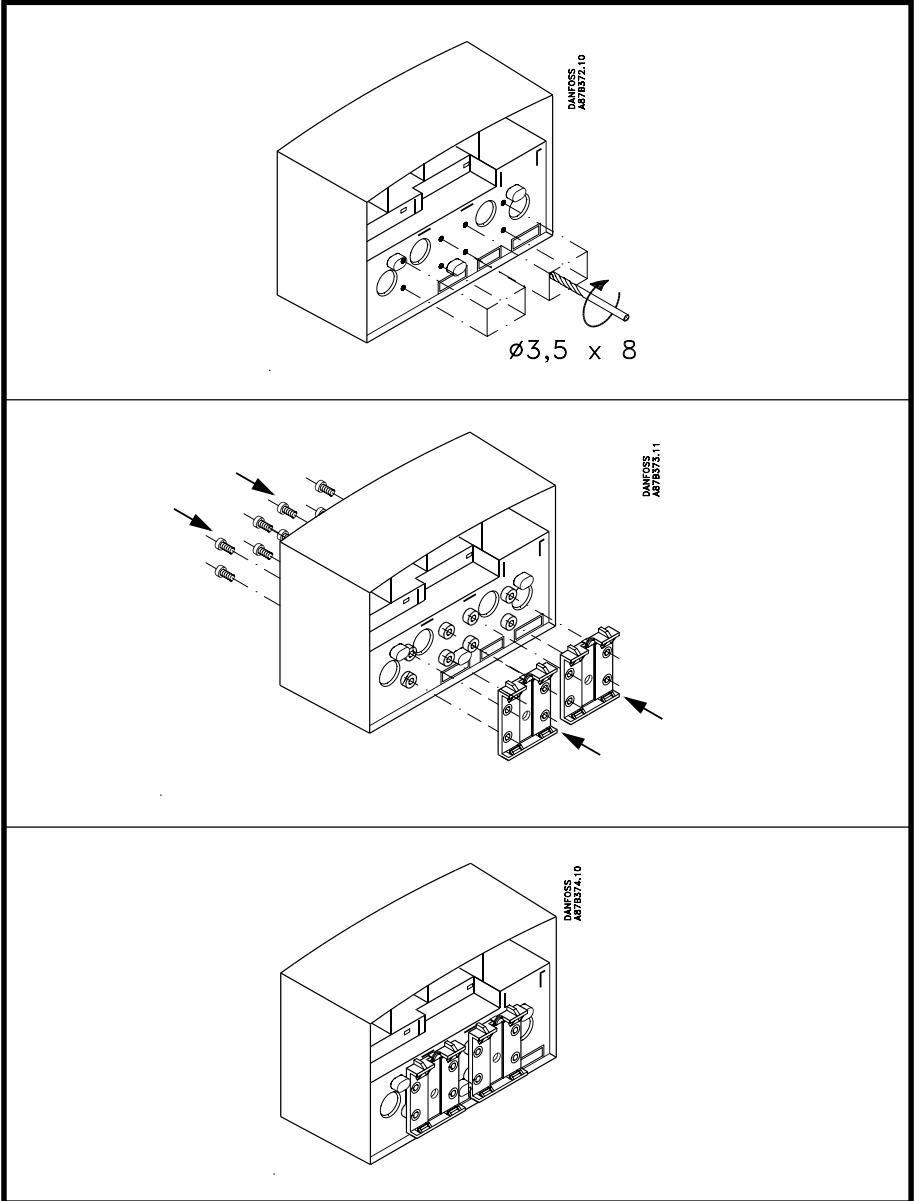


Mounting guide DIN rail mounting kit

087R9542



087R9542