

Installation guide

Accessory for modulinQ® – Modular solutions

Type DMC / DCC modulinQ® Hermetic filter drier

EN / DE

023R9615



023R9615



Refrigerants / Kältemittel R290 For complete list of approved refrigerants, visit https://store.danfoss.com/	Media temperature / Medientemperatur: Min: -40 °C Max: +85 °C													
	MWP/PS:													
	<table border="1"> <thead> <tr> <th>Size, litres</th> <th>MWP/PS, bar</th> <th>PED Cat.</th> </tr> </thead> <tbody> <tr> <td>1.0</td> <td>49</td> <td>I</td> </tr> <tr> <td>1.4</td> <td>49</td> <td>II</td> </tr> <tr> <td>1.75</td> <td>49</td> <td>II</td> </tr> </tbody> </table>	Size, litres	MWP/PS, bar		PED Cat.	1.0	49	I	1.4	49	II	1.75	49	II
Size, litres	MWP/PS, bar	PED Cat.												
1.0	49	I												
1.4	49	II												
1.75	49	II												

Max. tilt: +/- 10 ° vs vertical / Max. Neigung: +/- 10 ° vs. vertikal	Support: Obligatory - clamping required / Abstützung: Pflicht – Klemmen erforderlich
----------------------------------------------------------------------------------------	-------------------------------------------------------------------------------------------------------

Preparation / Vorbereitung	Pre-assembly / Vormontage	Tightening / Festziehen
-----------------------------------	----------------------------------	--------------------------------

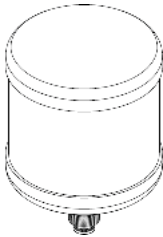
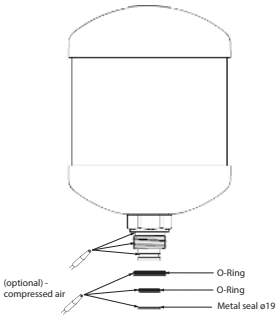
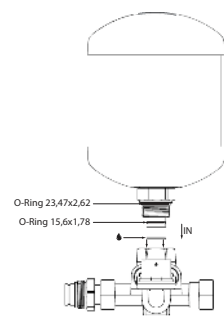
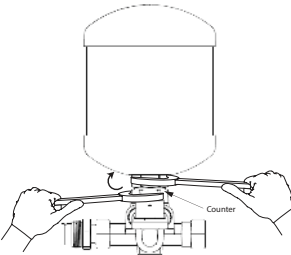

① 	② 	③
Remove any dirt/debris if present / Eventuell vorhandenen Schmutz/ Schmutz entfernen	Apply oil to metal seal / Aplicar aceite en la junta metálica E.g.: Reniso Triton SE 55 Insert metal seal to bottom part / z.B.: Reniso Triton SE 55 Metalldichtung an Unterteil einsetzen	Connect top and bottom parts Torque: (60 +/- 12) Nm / Ober- und Unterteil verbinden Dreh- moment: (60 +/- 12) Nm



Always discard the used metal seal and o-rings and replace with new. /
 Entsorgen Sie immer die gebrauchte Metalldichtung und die O-Ringe und ersetzen Sie sie durch neue.
 Always use dedicated metal seal and o-ring. /
 Verwenden Sie immer eine spezielle Metalldichtung und einen O-Ring.
 ModulinQ® Hermetic receiver filter drier must be connected to modulinQ® Expansion module. /
 Der hermetische Sammler-Filtertrockner ModulinQ® muss an das Modul modulinQ® Expansion angeschlossen werden.

Імпортер: ТОВ з іт "Данфосс ТОВ" 04080, Київ 80, п/с 168, Україна

Info for UK customers only: Danfoss Ltd. Oxford Road, UB9 4LH Denham, UK

<p>Fluides frigorigènes / Fluides frigorigènes</p> <p>R290 For complete list of approved refrigerants, visit https://store.danfoss.com/</p>	<p>Température du fluide / Temperatura del medio:</p> <p>Min: -40 °C Max: +85 °C</p> <p>MWP/PS:</p> <table border="1"> <thead> <tr> <th>Size, litres</th> <th>MWP/PS, bar</th> <th>PED Cat.</th> </tr> </thead> <tbody> <tr> <td>1.0</td> <td>49</td> <td>I</td> </tr> <tr> <td>1.4</td> <td>49</td> <td>II</td> </tr> <tr> <td>1.75</td> <td>49</td> <td>II</td> </tr> </tbody> </table>	Size, litres	MWP/PS, bar	PED Cat.	1.0	49	I	1.4	49	II	1.75	49	II	
Size, litres	MWP/PS, bar	PED Cat.												
1.0	49	I												
1.4	49	II												
1.75	49	II												
<p>Inclinaison max. : +/- 10 ° vs vertical / Inclinaison max. : +/- 10 ° vs. vertical</p>		<p>Support: Obligatoire – Bride requise / Soporte: Obligatorio - se requiere abrazadera</p>												
<p>Préparation / Preparación</p>	<p>Pré-assemblage / Preparación</p>	<p>Serrage / Apriete</p>												
<p>①</p>  <p>(optional) - compressed air</p> <p>O-Ring O-Ring Metal seal ø19</p>	<p>②</p>  <p>O-Ring 23,47x2,62 O-Ring 15,6x1,78 IN</p>	<p>③</p>  <p>Counter</p>												
<p>Supprimer les saletés/débris éventuels / Elimine la suciedad/residuos, si los hubiera</p>	<p>Appliquer de l'huile sur le joint métallique / Aplicar aceite en la junta metálica Ex. : Reniso Triton SE 55 Insérer le joint métallique sur la pièce inférieure / P. ej.: Reniso Triton SE 55 Colocar la junta metálica en la parte inferior</p>	<p>Connecter les pièces supérieure et inférieure Couple: (60 +/- 12) Nm / Conecte las partes superior e inferior Par de apriete: (60 +/- 12) Nm</p>												
	<p>Jetez toujours le joint métallique et les joints toriques usagés et remplacez-les par des neufs. / Deseche siempre la junta metálica y las juntas tóricas usadas y sustitúyalas por otras nuevas. Utilisez toujours un joint métallique et un joint torique dédiés. / Utilice siempre un sello metálico y una junta tórica específicos. Le filtre déshydrateur hermétique et réservoir combiné ModulinQ® doit être connecté au module d'extension modulinQ®. / El recipiente filtro secador hermético ModulinQ® debe conectarse al módulo de expansión modulinQ®.</p>													

Danfoss A/S

Climate Solutions • danfoss.com • +45 7488 2222

Any information, including, but not limited to information on selection of product, its application or use, product design, weight, dimensions, capacity or any other technical data in product manuals, catalogues descriptions, advertisements, etc. and whether made available in writing, orally, electronically, online or via download, shall be considered informative, and is only binding if and to the extent, explicit reference is made in a quotation or order confirmation. Danfoss cannot accept any responsibility for possible errors in catalogues, brochures, videos and other material. Danfoss reserves the right to alter its products without notice. This also applies to products ordered but not delivered provided that such alterations can be made without changes to form, fit or function of the product.

All trademarks in this material are property of Danfoss A/S or Danfoss group companies. Danfoss and the Danfoss logo are trademarks of Danfoss A/S. All rights reserved.