

# Installation Instructions

## LCP 31-RJ45 Converter Plug

### VLT<sup>®</sup> HVAC Basic Drive FC 101

#### Items Supplied

- Male LCP 31-RJ45 convertor plug (1).
- Female LCP 31-RJ45 convertor plug (1).
- Thread cutting screws (4).

#### More Items Required

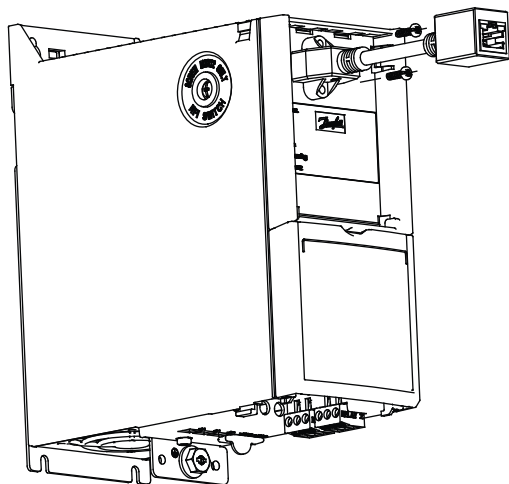
- Local control panel (LCP 31), ordering number 132B0200.

#### Safety Instructions

The LCP 31-RJ45 converter plug is designed for VLT<sup>®</sup> HVAC Drive FC 101 IP20 enclosures only (enclosure size H1-H10). For important information about safety precautions for installation, refer to the *VLT<sup>®</sup> HVAC Drive FC 101 Quick Guide*.

#### Installation

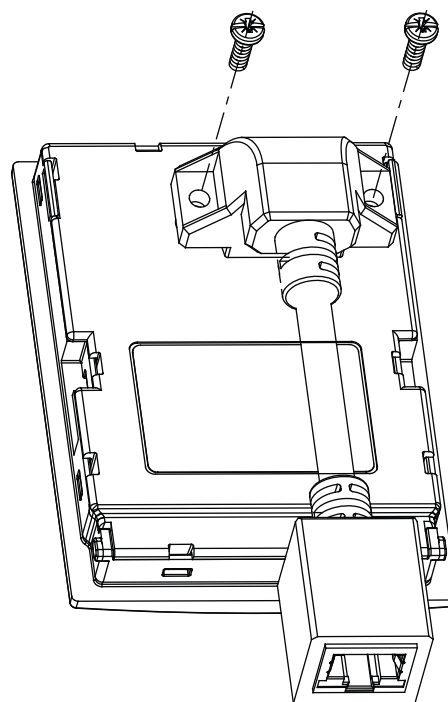
1. Mount the male LCP 31-RJ45 convertor plug on the frequency converter and fasten with 2 thread cutting screws, see *Illustration 1.1*.
2. Tighten the screws to 1.3 Nm (11.5 in-lb).



130BF691.10

Illustration 1.1 Mounting the Male LCP 31-RJ45 Converter Plug

3. Mount the female LCP 31-RJ45 convertor plug on the LCP 31 (local control panel), and fasten with 2 thread cutting screws, see *Illustration 1.2*.
4. Tighten the screws to 1.3 Nm (11.5 in-lb).



130BF692.10

Illustration 1.2 Mounting the Female LCP 31-RJ45 Converter Plug

5. Connect the 2 LCP 31-RJ45 convertor plugs with a shielded Ethernet cable, maximum 15 m (49.2 ft) long.

.....  
Danfoss can accept no responsibility for possible errors in catalogues, brochures and other printed material. Danfoss reserves the right to alter its products without notice. This also applies to products already on order provided that such alterations can be made without subsequential changes being necessary in specifications already agreed. All trademarks in this material are property of the respective companies. Danfoss and the Danfoss logotype are trademarks of Danfoss A/S. All rights reserved.  
.....

Danfoss A/S  
Ulsnaes 1  
DK-6300 Graasten  
[vlt-drives.danfoss.com](http://vlt-drives.danfoss.com)

