

Installation Instructions

Graphical LCP Adapter

Use the adapter to connect the VLT® Control Panel LCP 102 to the frequency converter via a cable.

Items supplied

Code number of the graphical LCP adapter is 132B0281. The kit includes:

- GLCP adapter.
- 2 screws.

Code number of the LCP remote mounting kit is 130B1113.

The kit includes:

- Graphical LCP.
- Fasteners.
- 3 m (9.8 ft) cable.
- Gasket.

Mounting the Option

Mount the option according to *Illustration 1.1*.

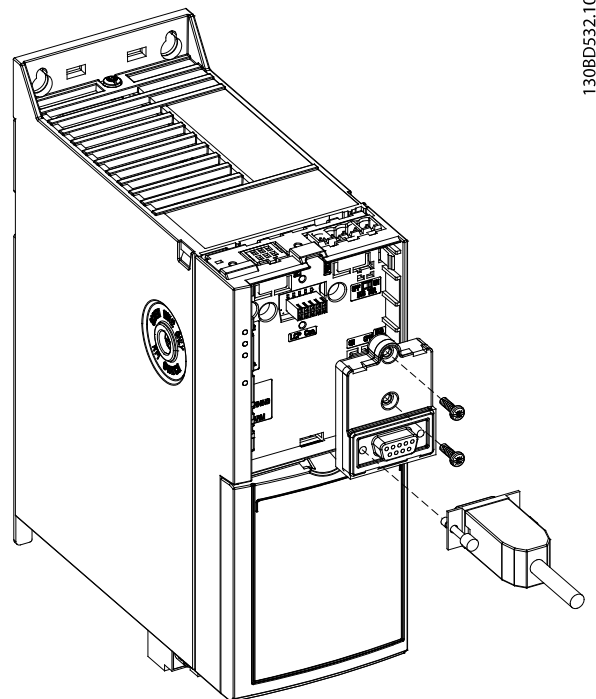


Illustration 1.1 Mounting the Adapter

.....
Danfoss can accept no responsibility for possible errors in catalogues, brochures and other printed material. Danfoss reserves the right to alter its products without notice. This also applies to products already on order provided that such alterations can be made without subsequential changes being necessary in specifications already agreed. All trademarks in this material are property of the respective companies. Danfoss and the Danfoss logotype are trademarks of Danfoss A/S. All rights reserved.
.....

Danfoss A/S
Ulsnaes 1
DK-6300 Graasten
vlt-drives.danfoss.com

