

Installation Guide

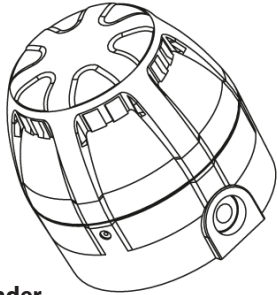
Danfoss Gas Sensor

Strobe and Horn

080R9334

ENGLISH

080R9334

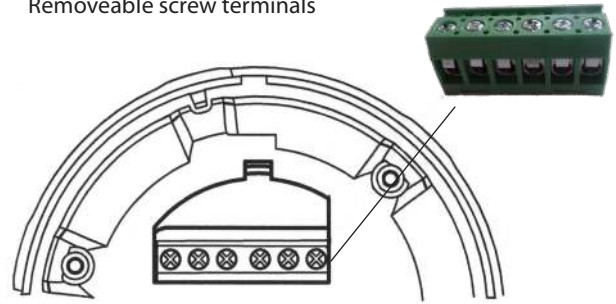


Code no. 080Z2819

Alarm Sounder

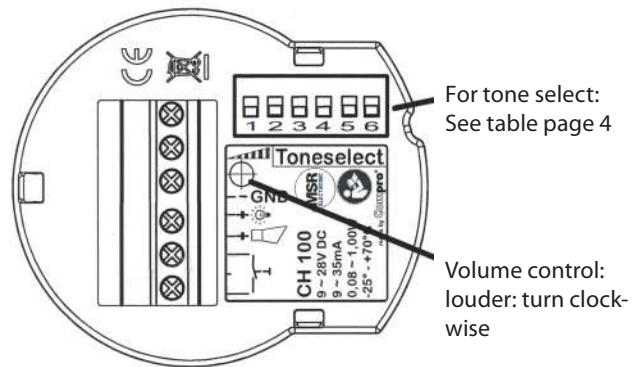
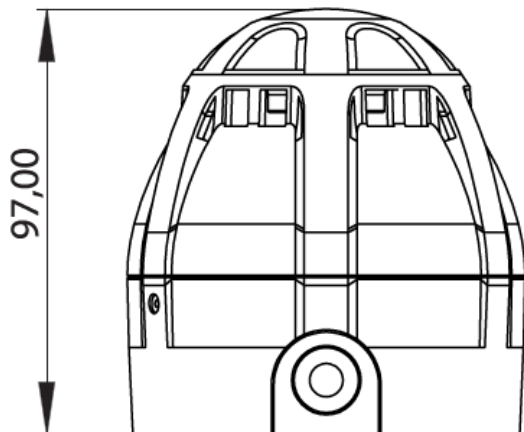
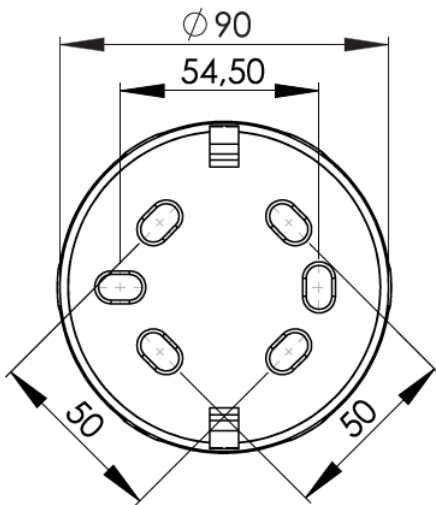
Current consumption: 9 ~ 35 mA (Siren)/ 4 ~ 6 mA (Flash)
 Operating voltage: 9 ~ 28V DC
 IP rating: IP 65
 Operating temp.: -20 ~ +70 °C / -4.0 °F ~ +158 °F
 Sound output: 67-100 dB(A)/98 dB(A) at DIN-Tone/Potentiometer
 Number of user-selectable tones: 39
 Lens colour: Red
 Material: Housing: ABS FR; lens: PC

Note:
Removeable screw terminals



Range: 16 - 24 AWG
 Metric: 0.25.... 1.50 mm²

Dimensions and appearance

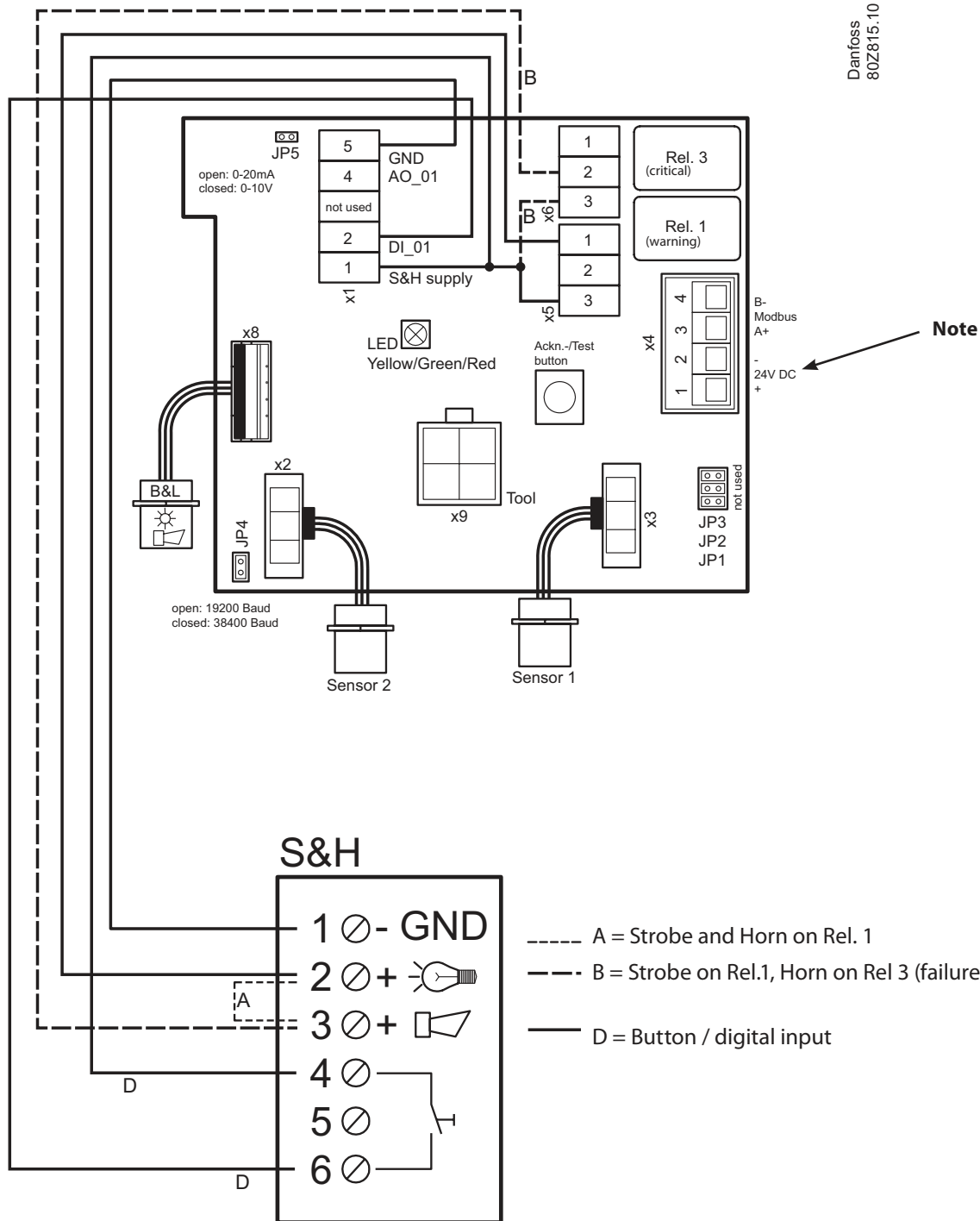


Note:
Max. 1 Strobe and Horn unit may be connected to the DGS.

Note: A single 470 ohm resistor is supplied with the product and must be used when the S&H is powered from the DGS and the DGS is powered by AC power - see page 3.

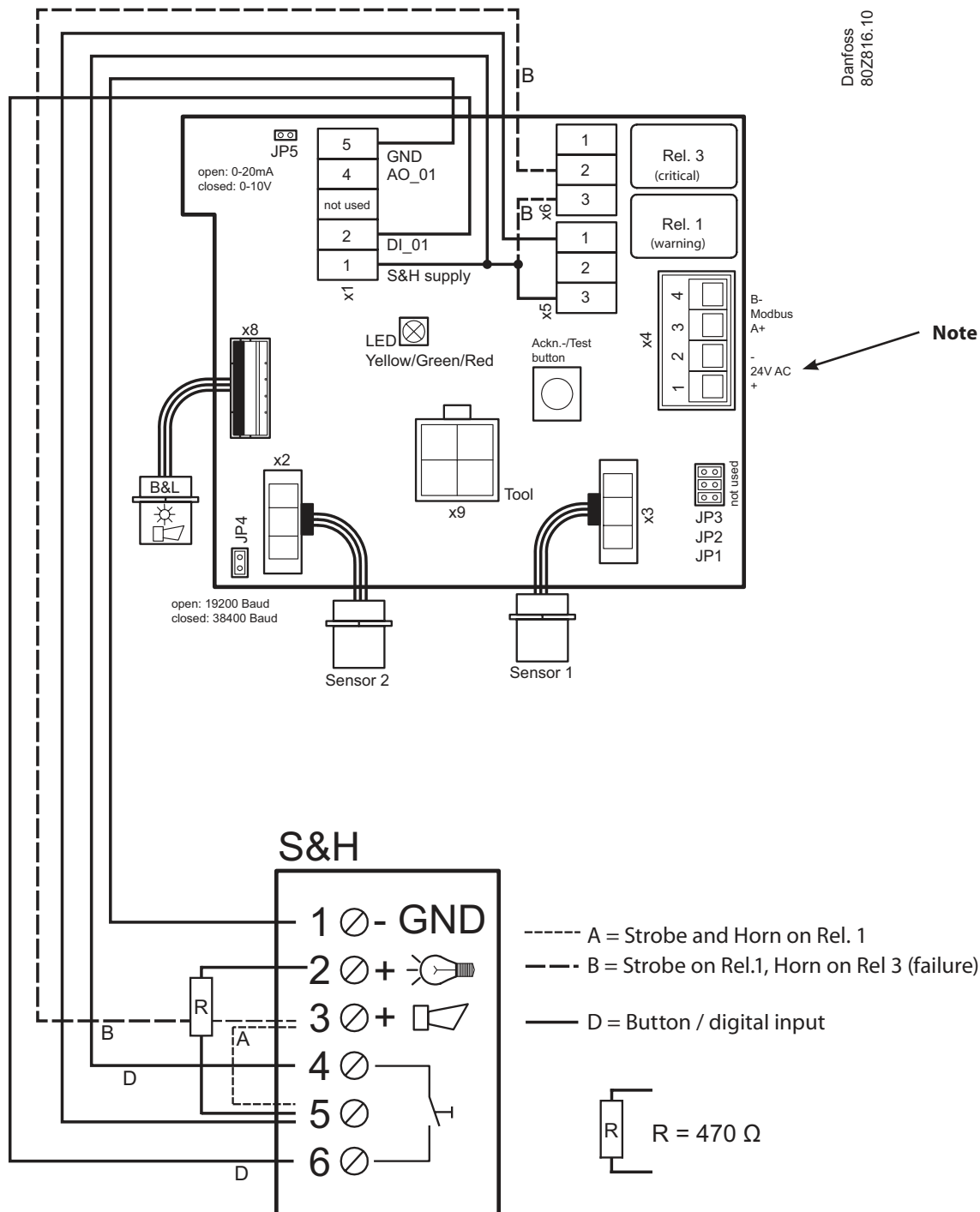
Supply voltage to DGS is DC

Danfoss
80Z815.10



Supply voltage to DGS is AC

Danfoss
80Z816.10



Tone select



| 1. Tone | Tone select | Tone description | | | Application | mA @ 12VDC | dB(A) @1m, 90°, 12VDC | mA @ 24VDC | dB(A) @1m, 90°, 24VDC | |
|------------|----------------|--------------------|-----------------------|---|-------------|-----------------------------|--------------------------------|---------------|--------------------------------|----|
| 0 | 111111 | Rising and falling | 150 to 1000 to 150 Hz | 10 s - 40 s - 10 s | | Highest | 27 | 93 | 35 | 97 |
| 1 | 011111 | Alternating | 800 & 970 Hz | 2 Hz (250 ms - 250 ms) | | BS Fire | 20 | 93,5 | 30 | 98 |
| 2 | 101111 | Rising | 800 & 970 Hz | 7 Hz (7/s) | | BS Fire | 20 | 93 | 29 | 97 |
| 3 | 001111 | Rising | 800 & 970 Hz | 1 Hz (1/s) | | BS Fire | 20 | 94 | 30 | 97 |
| 4 | 110111 | Constant tone | 2850 Hz | Continuous | | | 18 | 88 | 23 | 95 |
| 5 | 010111 | Rising | 2400 to 2850 Hz | 7 Hz (7/s) | | | 18 | 87 | 23 | 95 |
| 6 | 100111 | Rising | 2400 to 2850 Hz | 1 Hz (1/s) | | | 17 | 87 | 23 | 96 |
| 7 | 000111 | Rising | 300 to 1200 Hz | 3s rising, 0.5s silence, then repeat | | Netherlands Fire (NEN 2575) | 20 | 94 | 23 | 98 |
| 8 | 111011 | Falling | 1200 to 500 Hz | 1 Hz | | German Fire (DIN 33 404) | 21 | 93 | 31 | 98 |
| 9 | 011011 | Alternating | 2400 & 2850 Hz | 2 Hz (250 ms - 250 ms) | | | 18 | 87 | 24 | 95 |
| 10 | 101011 | Interrupted | 970 Hz | 0.5 Hz (1s ON/ 1s OFF) | | PFEER alert | 17 | 92 | 20 | 97 |
| 11 | 001011 | Alternating | 800 & 970 Hz | 1 Hz (500 ms - 500 ms) | | BS Fire | 20 | 93 | 30 | 97 |
| 12 | 110011 | Interrupted | 2850 Hz | 0.5 Hz (1s ON/ 1s OFF) | | | 17 | 88 | 21 | 96 |
| 13 | 010011 | Interrupted | 970 Hz | 0.8 Hz (250 ms ON/1s OFF) | | | 17 | 92 | 21 | 97 |
| 14 | 100011 | Constant tone | 970 Hz | Continuous | | PFEER toxic gas | 20 | 92 | 28 | 97 |
| 15 | 000011 | Alternating | 554 & 440 Hz | 100 ms - 400 ms | | French Fire (NFS32-001) | 22 | 91 | 35 | 96 |
| 16 | 111101 | Interrupted | 660 Hz | 3.3 Hz (150 ms ON/150 ms OFF) | | Swedish (Air Raid) | 18 | 91 | 26 | 96 |
| 17 | 011101 | Interrupted | 660 Hz | 0.28 Hz (1.8 s ON/1.8 s OFF) | | Swedish (local warning) | 18 | 91 | 23 | 96 |
| 18 | 101101 | Interrupted | 660 Hz | 0.05 Hz (6.5 s ON/13 s OFF) | | Swedish (Pre-mess) | 18 | 91 | 26 | 96 |
| 19 | 001101 | Constant tone | 660 Hz | Continuous | | Swedish (All Clear) | 20 | 91 | 31 | 96 |
| 20 | 110101 | Alternating | 554 & 440 Hz | 0.5 Hz (1s ON/ 1s OFF) | | Swedish (Turn out) | 22 | 91 | 35 | 96 |
| 21 | 010101 | Interrupted | 660 Hz | 1 Hz (500 ms - 500 ms) | | Swedish common | 20 | 91 | 21 | 96 |
| 22 | 100101 | Interrupted | 2850 Hz | 4 Hz (150 ms ON/100 ms OFF) | | Pelican crossing | 18 | 88 | 22 | 95 |
| 23 | 000101 | Ansteigend | 800 to 970 Hz | 50 Hz | | BS Fire | 21 | 90 | 30 | 96 |
| 24 | 111001 | Ansteigend | 2400 & 2850 Hz | 50 Hz | | | 20 | 85 | 25 | 93 |
| 25 | 011001 | Interrupted | 970 Hz | 3 x 500 ms Pulse followed by 1.5 s silence, then repeat | | ISO 8201 | 19 | 92 | 23 | 97 |
| 26 | 101001 | Interrupted | 2850 Hz | 3 x 500ms Pulse followed by 1.5 s silence, then repeat | | ISO 8201 | 19 | 88 | 23 | 95 |
| 27 | 001001 | Constant tone | 4000 Hz | Continuous | | ISO 8201 | 19 | 90 | 23 | 95 |
| 28 | 110001 | Alternating | 800 & 970 Hz | 2 Hz (250 ms - 250 ms) | | BS Fire | 22 | 93 | 30 | 97 |
| 29 | 010001 | Alternating | 990 & 650 Hz | 2 Hz (250 ms - 250 ms) | | BS Fire | 23 | 92 | 35 | 97 |
| 30 | 100001 | Alternating | 510 & 610 Hz | 2 Hz (250 ms - 250 ms) | | BS Fire | 23 | 91 | 35 | 96 |
| 31 | 000001 | Rising | 300 to 1200 Hz | 1 Hz | | | 22 | 93 | 34 | 97 |
| 32 | 111110 | Constant tone | 4000 Hz | Continuous | | BS Fire | 20 | 91 | 25 | 96 |
| 33 | 011110 | Constant tone | 990 Hz | Continuous | | | 21 | 92 | 30 | 97 |
| 34 | 101110 | Interrupted | 990 Hz | 1 Hz (500 ms ON/500 ms OFF) | | | 19 | 92 | 21 | 97 |
| 35 | 001110 | Constant tone | 510 Hz | Continuous | | | 23 | 91 | 35 | 96 |
| 36 | 110110 | Interrupted | 510 Hz | 1 Hz (500 ms ON/500 ms OFF) | | | 20 | 91 | 22 | 96 |
| 37 | 010110 | Constant tone | 850 Hz | Continuous | | | 21 | 89 | 30 | 96 |
| 38 | 100110 | Constant tone | 1650 Hz | Continuous | | | 20 | 86 | 24 | 94 |

PFEER Prevention of Fire Explosion and Emergency Response

BS British Standard

DIN Deutsche Industrie Norm

ISO International Organisation of Standardization