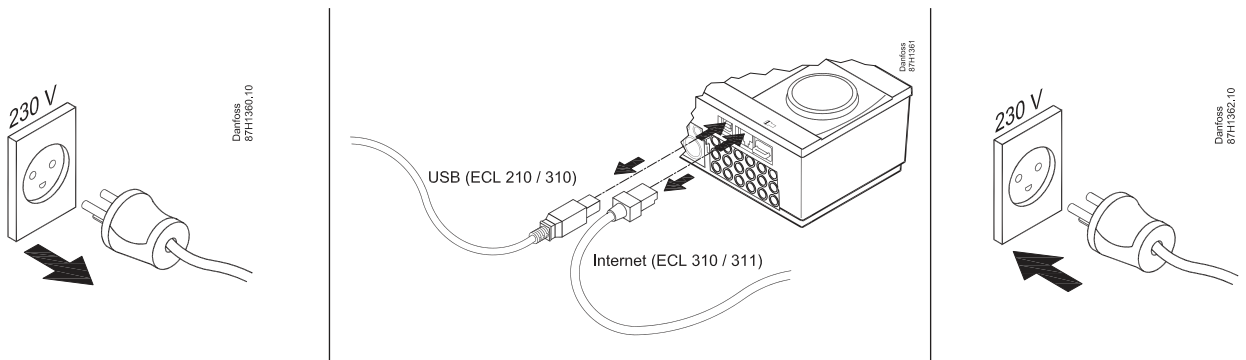
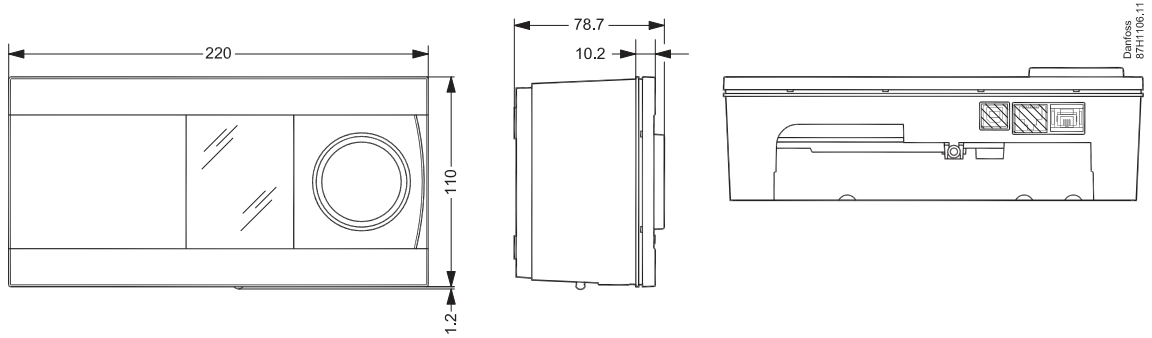


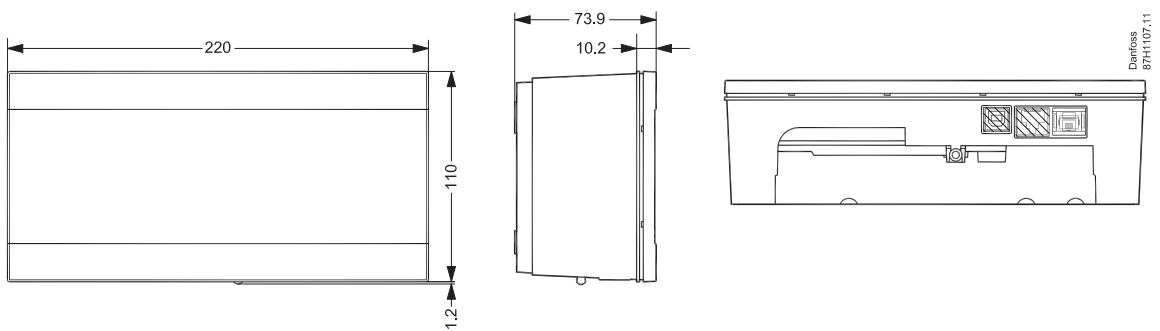
Installation Guide

# ECL Comfort 310 / 310B

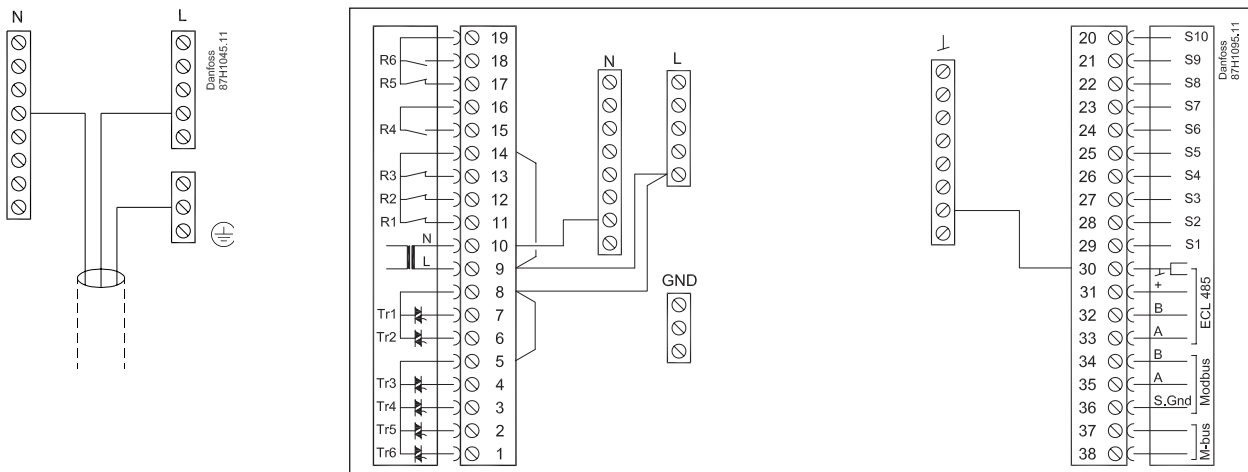
ECL Comfort 310 (code no. 087H3040 - 230 V a.c., code no. 087H3044 - 24 V a.c.):



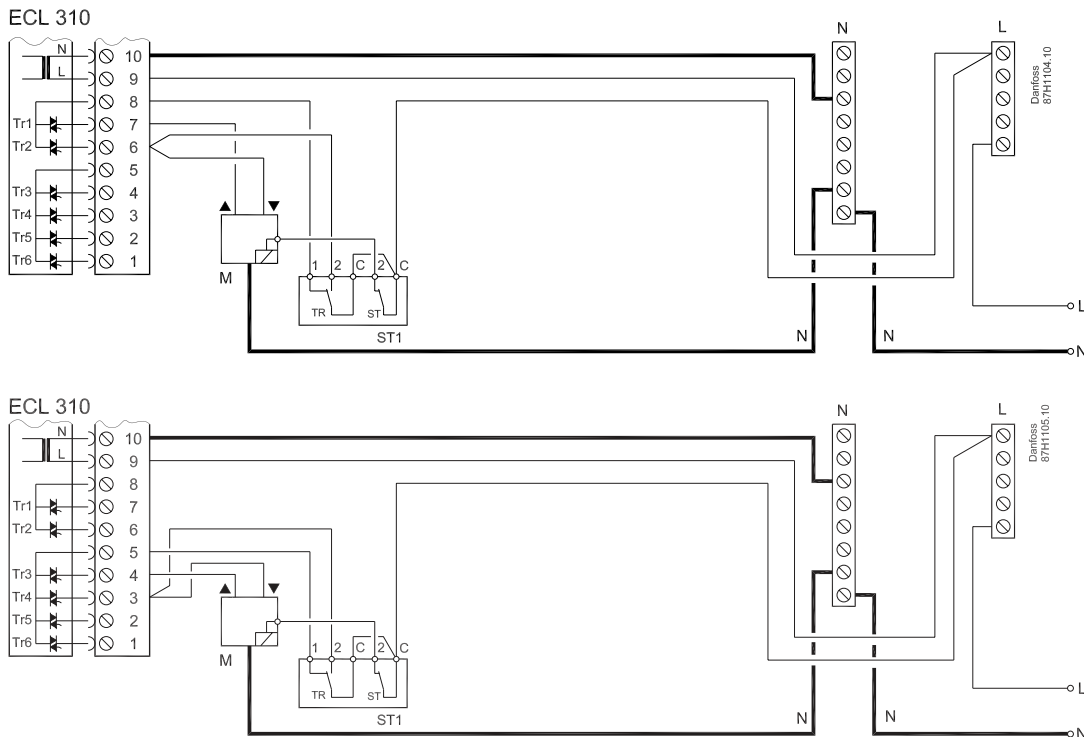
ECL Comfort 310B (code no. 087H3050 - 230 V a.c.):



# Installation Guide, ECL Comfort 310 / 310B



## 24 V a.c. / 230 V a.c. safety thermostat



? **ECL Comfort 310: [www.danfoss.com](http://www.danfoss.com)**  
**Leanheat® Monitor: [Leanheat® Monitor website](#)**  
**Leanheat® Monitor - [5-step instructions](#)**  
**Leanheat® Monitor - [087H3040 \(5-step instructions\)](#)**  
**Leanheat® Monitor - [087H3044 \(5-step instructions\)](#)**

? **<https://www.youtube.com/user/DanfossHeating>**  
**-> Playlists -> How-to Videos -> District Energy installation videos**



ENGINEERING  
TOMORROW



**Danfoss A/S**

6430 Nordborg  
Denmark  
CVR nr.: 20 16 57 15

Telephone: +45 7488 2222  
Fax: +45 7449 0949

**STATEMENT OF COMPLIANCE**

**Danfoss A/S**  
**HydronicS Division**

declares under our sole responsibility that the

**Product category:** Electronic Controller

**Type designation(s):**

ECL Comfort 310 (087H3040, 087H3044, 087H3050)  
ECL Comfort 296 (087H3000)  
Software: Leanheat Monitor

Covered by this declaration is in conformity with the following directive(s), regulations(s), standard(s) or other normative document(s), provided that the product is used in accordance with our instructions.

**UK PSTI**

**Product Security and Telecommunications Infrastructure Act 2022 - Part 1**

and

**The Product Security and Telecommunications Infrastructure (Security Requirements for Relevant Connectable Products) Regulations 2023**

ETSI EN 303 645 V2.1.1 (2020-06); Cyber Security for Consumer Internet of Things: Baseline Requirements, provision 5.1-1, 5.1-2, 5.2-1, 5.3-13

Defined support period for the product: Invoice date + 2 years

In case a security vulnerability is identified for a product, please fill in the following template:

<https://www.danfoss.com/en/service-and-support/report-security-vulnerability/>

<p>Date: 07 November 2024</p> <p>Place of issue: Ljubljana</p>	<p><b>Issued by</b></p> <p>Signed by: <b>Samo Krančan</b> Signature: 49CB37CCBD05404...</p> <p><b>Name:</b> Samo Krančan <b>Title:</b> Sustainability and Compliance Director</p>	<p>Date: 07 October 2024</p> <p>Place of issue: Nordborg</p>	<p><b>Approved by</b></p> <p>DocuSigned by: <b>Nanna Aage Lundsgaard</b> Signature: 02742C4F8E8A4FD...</p> <p><b>Name:</b> Nanna Aage Lundsgaard <b>Title:</b> Vice President, Head of RD&amp;E, HydronicS Division</p>
--	---	--	---

Danfoss only vouches for the correctness of the English version of this document. In the event of the document being translated into any other language, the translator concerned must be liable for the correctness of the translation.

**ID No:** 240409EN0091101

**Revision No:** 2

Page 1 of 1

To find UK PSTI latest version: Click here: [Link](#)



**Danfoss A/S**

Climate Solutions • danfoss.com • +45 7488 2222



Any information, including, but not limited to information on selection of product, its application or use, product design, weight, dimensions, capacity or any other technical data in product manuals, catalogues descriptions, advertisements, etc. and whether made available in writing, orally, electronically, online or via download, shall be considered informative, and is only binding if and to the extent, explicit reference is made in a quotation or order confirmation. Danfoss cannot accept any responsibility for possible errors in catalogues, brochures, videos and other material. Danfoss reserves the right to alter its products without notice. This also applies to products ordered but not delivered provided that such alterations can be made without changes to form, fit or function of the product.

All trademarks in this material are property of Danfoss A/S or Danfoss group companies. Danfoss and the Danfoss logo are trademarks of Danfoss A/S. All rights reserved.