

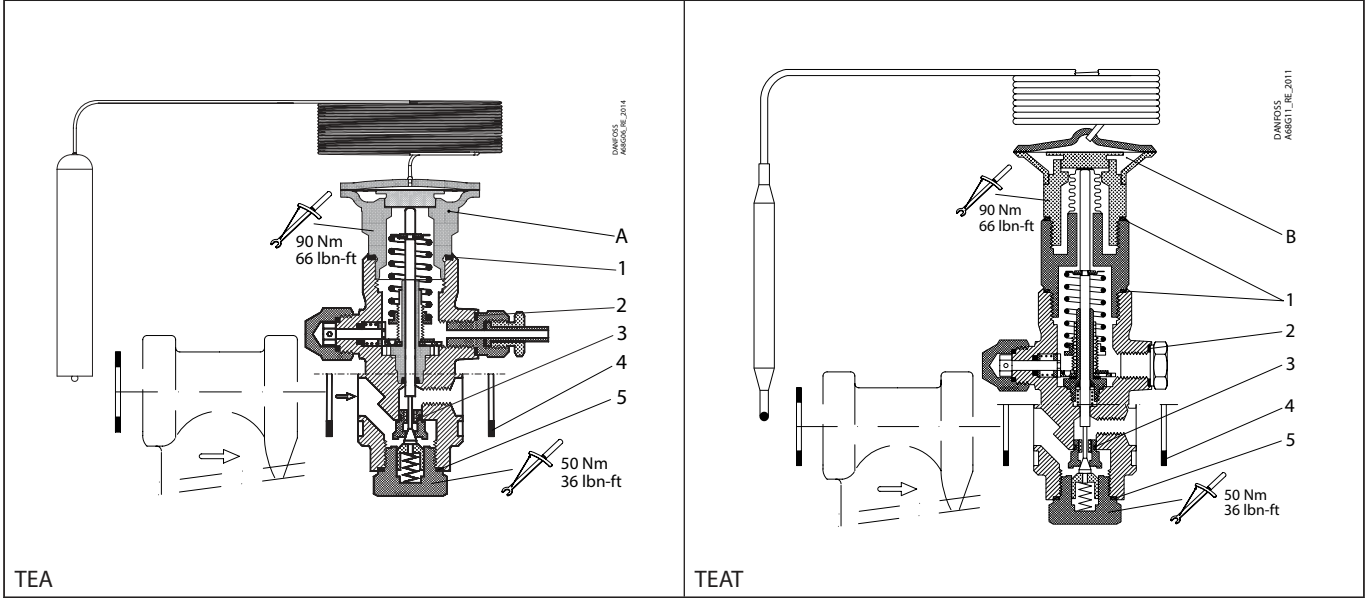
Installation Guide - Spare parts and accessories

Repair kit, element | Code numbers 068G3250, 068G3252,
068G3260, 068G3261, 068G3262

TEA, TEAT, Size 20 and 85

068R9822

068R9822



TEA

TEAT

| | | | | | |
|---|---|--|--|--|--|
| <p>1</p> <p>▨ = Alu.</p> <p>Ø36 mm Ø1.42"</p> <p>Total no. = 2</p> | <p>2</p> <p>▨ = Alu.</p> <p>Ø17.5 mm Ø0.69"</p> <p>Total no. = 1</p> | <p>3 (size 20)</p> <p>Ø8 mm Ø0.32"</p> <p>Total no. = 1</p> | <p>3 (size 85)</p> <p>Ø9 mm Ø0.35"</p> <p>Total no. = 1</p> | <p>4 (size 20)</p> <p>▨ = Fibre</p> <p>Ø32 mm Ø1.26"</p> <p>Total no. = 3</p> | <p>4 (size 85)</p> <p>▨ = Fibre</p> <p>Ø39 mm Ø1.54"</p> <p>Total no. = 3</p> |
| <p>5</p> <p>▨ = Alu.</p> <p>Ø26 mm Ø1.02"</p> <p>Total no. = 1</p> | <p>6</p> <p>1 of A or 1 of B or 1 of C</p> | <p>Bulb strap</p> <p>Total no. = 1</p> | | | |

Danfoss A/S

Climate Solutions • danfoss.com • +45 7488 2222

Any information, including, but not limited to information on selection of product, its application or use, product design, weight, dimensions, capacity or any other technical data in product manuals, catalogues descriptions, advertisements, etc. and whether made available in writing, orally, electronically, online or via download, shall be considered informative, and is only binding if and to the extent, explicit reference is made in a quotation or order confirmation. Danfoss cannot accept any responsibility for possible errors in catalogues, brochures, videos and other material. Danfoss reserves the right to alter its products without notice. This also applies to products ordered but not delivered provided that such alterations can be made without changes to form, fit or function of the product.

All trademarks in this material are property of Danfoss A/S or Danfoss group companies. Danfoss and the Danfoss logo are trademarks of Danfoss A/S. All rights reserved.