



UTV BED-MOUNT TOOL RACK SYSTEM



Polaris Ranger 1000
UTV Bed-Mount Rack System
(1UTVBPB-1UTVRK)
Fully Loaded



EMPOWER YOUR UTV

SYSTEM MOUNTS DIRECTLY TO SELECT POLARIS RANGER & GRAVELY ATLAS VEHICLES BED W/O INTERFERING WITH THE CARGO STORAGE AREA

The UTV Bed-Mount Rack System allows you to keep tools close at hand, stored securely above the cargo bed.



The tool "racks" mount to the vehicle bed using metal brackets embedded within the frame, with two Bars on each side of the bed and additional storage structure over the bed.

Cam Lever Latches

Simple and versatile – mix & match any combination of attachments. Cam lever latches built directly into each Artillian component allow you to mount, move or remove attachments in seconds!

Closed | Open



UTV Bed-Mount Tool Rack

The tool "racks" mount to the vehicle bed using metal brackets embedded within the frame, with two Bars on each side of the bed and additional storage structure over the bed.

70 Hartwell Street | West Boylston, MA | 01583 | 508-459-4394 | www.Artillian.com





UTV BED-MOUNT TOOL RACK SYSTEM



Tool Rack, 4 Yard Tools

Holds up to 4 long-handle tools.

Mounts horizontally or vertically with cam latches. No tools required.

Includes 8 rubber mini quick clamps open and close easily to add or remove tools.



Chainsaw Mount

Holds chainsaws with bar lengths 14" +

"Scabbard" style mount features 10-gauge steel with high-strength polyethylene contact areas for added protection of the bar and chain.



Fuel Can Holder

E-track fittings have multiple locking positions to accommodate cans of different sizes and shapes.

Hanger for securing a maul or sledgehammer plus spaces for several tree cutting wedges.



Tool Box, X-Large

Includes internal tool tray. Water-tight seal.



Tool Box, Medium

Includes internal tool tray. Water resistant.



Tool Basket

Open top basket for carrying tools, chains, pins, etc. Incorporated grab handles.



Beverage Cooler Holder

Multiple E-track locking positions accommodate various cooler sizes and orientations.

Two built-in cup holders.



Tool Bar Wall Mount

Mounting brackets to mount onto a flat wall for storage of the various ROPS Mounted Tool Bar Accessories.



Tool Bar Quick Release Kit

Allows the operator to remove the bar when using the backhoe or certain 3-point hitch mounted implements.



5 Gallon Bucket Holder

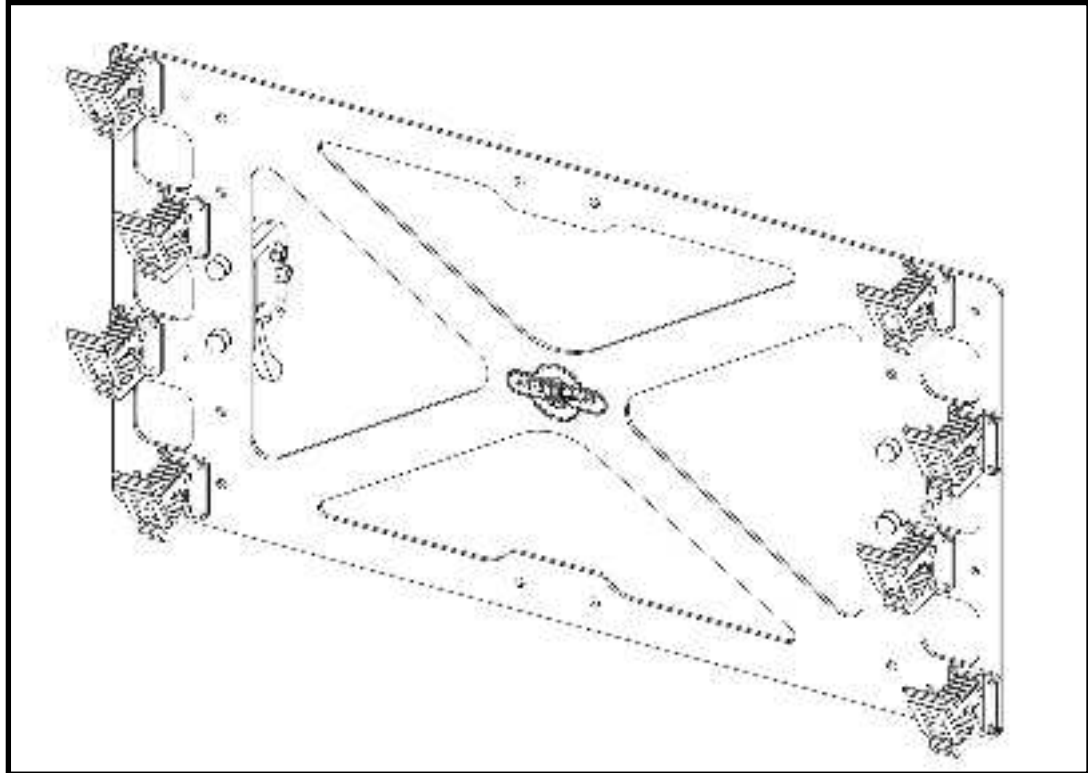
For picking up and storing yard debris, trash, and other items when mowing and landscaping.





**ARTILLIAN ROPS MOUNTED TOOL RACK
P/N: 1RMTRK**

For use on the Artillian ROPS Mounted Tool Bar (P/N: 1RMTB) (sold separately)



The Artillian ROPS Mounted Tool Rack is rated for 40 lbs and is capable of holding up to (4) long handle tools at a time. The mounting plate is made from powder coated 10 gauge steel and incorporates (8) rubber clamps. These clamps hold tools firmly, while providing for fast installation or removal.

Integrated *Cam Lever Latches* securely lock onto the Artillian ROPS Mounted Tool Bar (sold separately) in seconds without the use of tools. These latches can be repositioned to the long sides of the rack, allowing the user to orient the rack vertically, if desired.

Approximate Installation Time
Experienced Dealer Technician – 2 Minutes
Average Dealer Technician – 2 Minutes
Do-It-Yourself – 2 Minutes

Approximate Product Specifications
Overall dimensions: 14.05" high x 26.50" wide
Weight: 11.26 lbs. (not including mounting bar)
Capacity: 40 lbs.

⚠ CAUTION *Do not exceed the rated capacity for the Tool Rack. Doing so may result in damage to the Tool Rack and/or the Tool Bar and will void the warranty.*

The contents of this envelope are the property of the owner. Leave with the owner when installation is complete.

All images shown are for illustration purposes only. Actual product may vary due to product enhancement.

FEATURES AND OPERATION

ATTACH TO MOUNTING BAR:

1. To install the tool rack, rotate both cam levers UP, then place onto the Toolbar. See figure 1.

Note: if the Cam Lever Latches do not sit flush on the Toolbar, one of the clamp plates may not have been fully open. Simply remove the tool rack, rotate the cam levers up, and tilt the tool rack away from you to ensure the clamp plates are fully open, then reinstall on the Toolbar.

2. To secure the tool rack to the Toolbar, rotate both cam levers DOWN until they cam over.

NOTE: For additional security, the tool rack can be locked to the Toolbar by inserting a padlock through the holes in the mounting bracket where shown. See figure 1.

3. To remove the tool rack from the Toolbar, rotate both cam levers UP, then lift the tool rack.

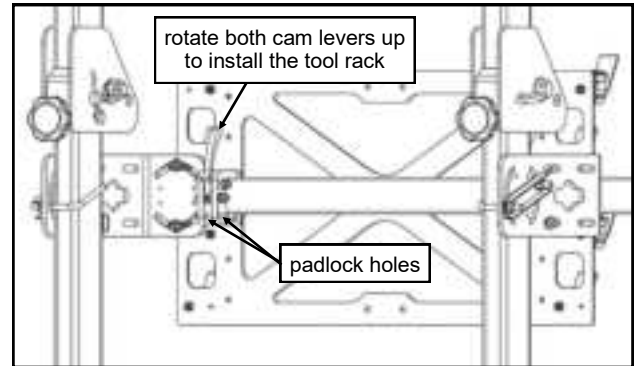


Fig. 1 (attaching the tool rack)

FEATURES AND OPERATION

1. The 8 rubber clamps are intentionally staggered so that an upper clamp does not interfere when trying to pull the rubber strap from a lower clamp up and inward onto the hooks. The end user may change the stagger pattern if so desired.
2. The cam lever latches are factory installed in the middle set of holes where shown in figure 2. At the user's discretion, the latches can be relocated to the set of holes marked "A" or "B". The entire plate assembly can also be rotated 90 degrees if preferred. In that case, utilize any set of holes provided in location "C". Note: a loose Artillian decal has been provided and should be placed at the center of the "X" so that it is legible in the desired horizontal or vertical orientation.
3. For optimal functionality, the cam lever latches are factory assembled with some friction between the cam lever and the housing. This ensures the cam lever doesn't accidentally flip closed while the user attempts to install it on the bar. If the cam levers loosen up over time, simply tighten the nut and bolt that secure the lever to the housing until the desired resistance on the cam lever has been achieved.

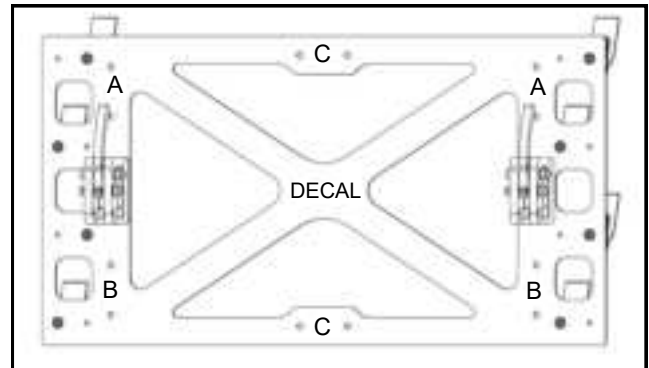


Fig. 2 (optional cam lever latch locations)



ENJOY!

SERVICE PARTS:

CAM LEVER LATCH
P/N: 8SV-110-00071 (QTY.: ONE)



RUBBER CLAMP
P/N: 9SV-9WL08 (QTY.: 2)

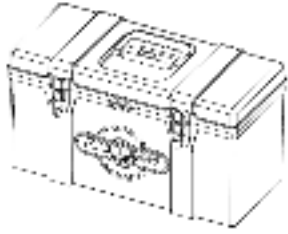


SAFETY WALK ADHESIVE STRIPS
P/N: 9SV-9PR62-375 (QTY.: 12)

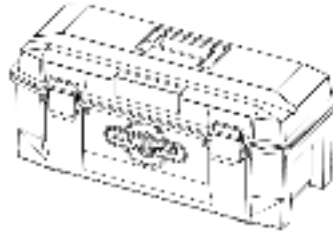


OTHER ACCESSORIES:

ROPS MOUNTED TOOLBOX, LARGE
P/N: 1RMTBXS



ROPS MOUNTED TOOLBOX, X-LARGE
P/N: 1RMTBXL



ROPS MOUNTED TOOL BASKET
P/N: 1RMTBSK



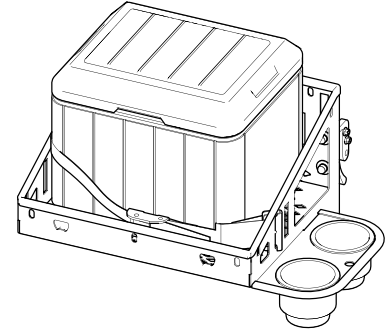
ROPS MOUNTED CHAINSAW MOUNT
P/N: 1RMCSM
(chainsaw shown for illustration purposes)



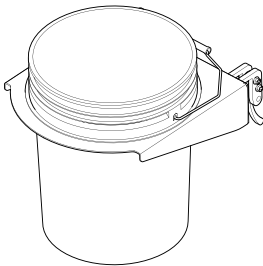
ROPS MOUNTED FUEL CAN HOLDER
P/N: 1RMFCH
(Fuel can, wedges, & maul shown for illustration purposes)



ROPS MOUNTED BEVERAGE COOLER
HOLDER - P/N: 1RMBCH
(Cooler shown for illustration purposes)



ROPS MOUNTED 5-GALLON BUCKET
HOLDER - P/N: 1RM5GBH
(Bucket shown for illustration purposes)



TOOL BAR WALL MOUNT
P/N: 1RMTBWM

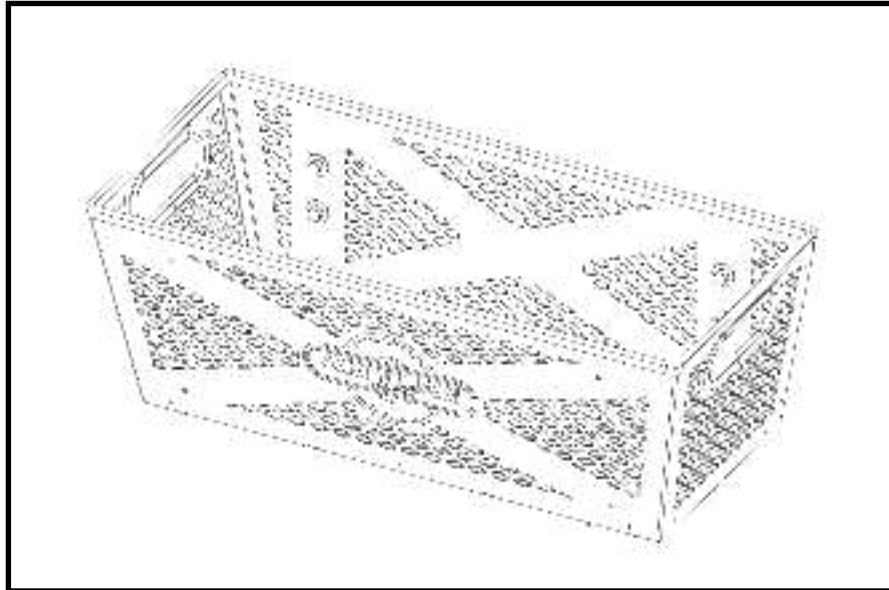


MORE ACCESSORIES COMING SOON!



ARTILLIAN ROPS MOUNTED TOOL BASKET P/N: 1RMTBSK

For use on the Artillian ROPS Mounted Tool Bar (P/N: 1RMTB) (sold separately)



The Artillian ROPS Mounted Tool Basket is an open-top basket for carrying tools, hitch pins, chains, etc. Made from laser-cut & powder coated 16GA steel, it will stand up to the elements and everyday use. Bent and welded heavy duty support brackets for added strength. Rated for 65 lbs.

Incorporated grab handles make for convenient carrying, installation, and removal from the tractor. Bring the basket to where the tools are, fill it up, and carry it back to your tractor. Drop it onto the *ROPS Mounted Tool Bar (sold separately)*, cam over the latches, and you are on your way!

The quick release *Cam Lever Latches* allow for easy removal of the toolbox for storage or replacement with one of the many other Artillian ROPS Mounted Tool Bar Accessories.

Approximate Installation Time	Approximate Product Specifications
Experienced Dealer Technician – 2 Minutes	Internal dimensions: 24" L x 10.5" W x 10" H
Average Dealer Technician – 2 Minutes	Weight: 22 lbs. (not including mounting bar)
Do-It-Yourself – 2 Minutes	Capacity: 65 lbs.



CAUTION

Do not exceed the rated capacity for the Tool Basket. Doing so may result in damage to the Basket and/or the Tool Bar and will void the warranty.

The contents of this envelope are the property of the owner. Leave with the owner when installation is complete.

All images shown are for illustration purposes only. Actual product may vary due to product enhancement.

FEATURES AND OPERATION

ATTACH TO MOUNTING BAR:

1. Figure 1 shows a tool basket installed onto an Artillian ROPS Mounted Tool Bar.
2. To install the tool basket, rotate both cam levers UP, then place onto the Tool Bar. See fig. 2.

Note: if the Cam Lever Latches do not sit flush on the Tool Bar, one of the clamp plates may not have been fully open. Simply remove the tool basket, rotate the cam levers up and tilt the tool basket away from you to ensure the clamp plates are fully open, then reinstall on the Tool Bar.

3. To secure the tool basket to the Tool Bar, rotate both cam levers DOWN until they cam over. See fig. 3.

NOTE: For additional security, the tool basket can be locked to the Tool Bar by inserting a padlock through the holes in the mounting bracket where shown in fig. 3.

4. To remove the tool basket from the Tool Bar, rotate both cam levers UP, then lift the tool basket.

FEATURES AND OPERATION

1. For optimal functionality, the cam lever latches are factory assembled with some friction between the cam lever and the housing. This ensures the cam lever doesn't accidentally flip closed while the user attempts to install it on the bar. If the cam levers loosen up over time, simply tighten the nut and bolt that secure the lever to the housing until the desired resistance on the cam lever has been achieved.
2. An extra set of holes (one per side) have been provided on the rear of the Basket if you want to re-locate the cam lever latches lower than the factory installed location.
3. Four extra holes (one per corner) have been provided on the front of the Basket if you want to install rubber clamps (sold separately) for holding long handles tools. A kit of 4 rubber clamps with hardware can be purchased under p/n: 1WL08-4PK

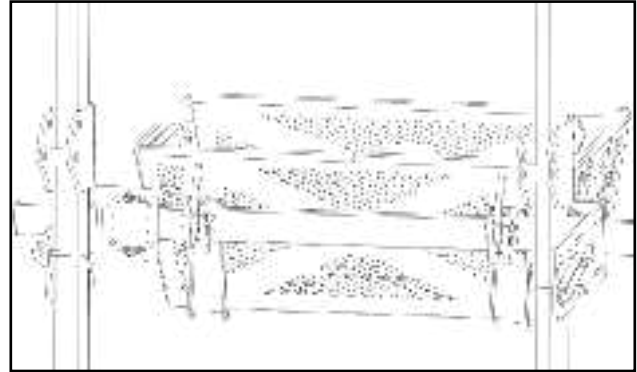


Fig. 1 (attaching the tool basket)

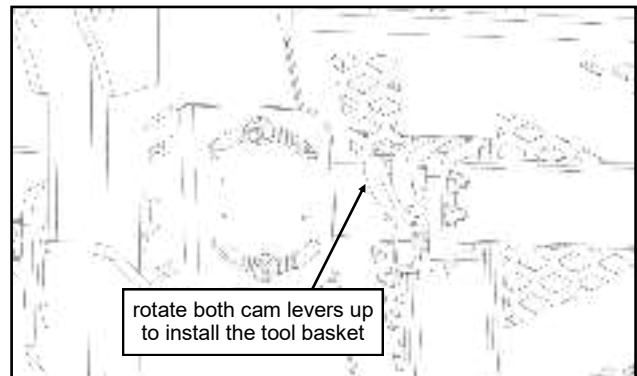


Fig. 2 (cam lever in the open position)

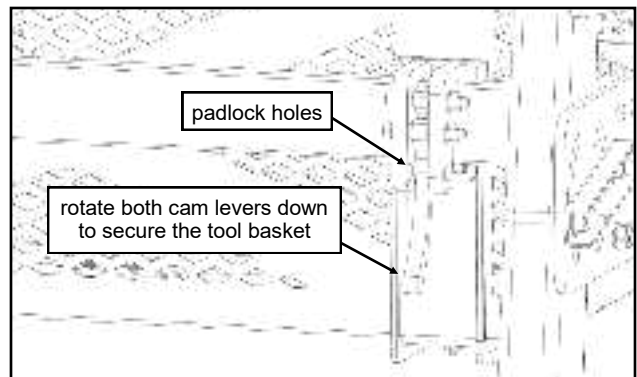


Fig. 3 (cam lever in the closed position)

SERVICE PARTS:

CAM LEVER LATCH
P/N: 8SV-110-00071 (QTY.: ONE)



TOOLBOX SUPPORT BRACKET, LARGE
P/N: 8SV-WA-00363 (QTY.: 2)



SAFETY WALK ADHESIVE STRIPS
P/N: 9SV-9PR62-375 (QTY.: 12)



TOOL BASKET (with Trim Lok and decal)
P/N: 8SV-WA-00367

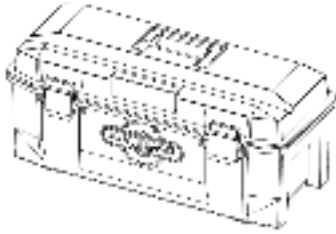


TRIM LOK (10 feet long)
P/N: 9SV-PRO1-10



OTHER ACCESSORIES:

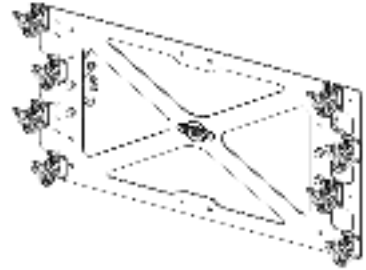
ROPS MOUNTED TOOLBOX, X-LARGE
P/N: 1RMTBXL



ROPS MOUNTED TOOLBOX, LARGE
P/N: 1RMTBXS



ROPS MOUNTED TOOL RACK
P/N: 1RMTRK



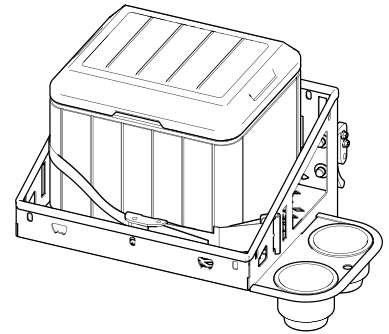
ROPS MOUNTED CHAINSAW MOUNT
P/N: 1RMCSM
(chainsaw shown for illustration purposes)



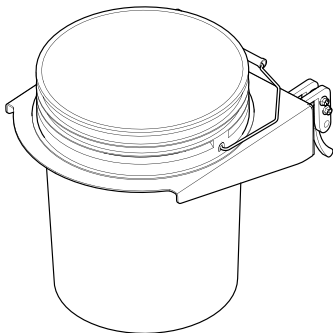
ROPS MOUNTED FUEL CAN HOLDER
P/N: 1RMFCH
(Fuel can, wedges, & maul shown for illustration purposes)



ROPS MOUNTED BEVERAGE COOLER HOLDER - P/N: 1RMBCH
(Cooler shown for illustration purposes)



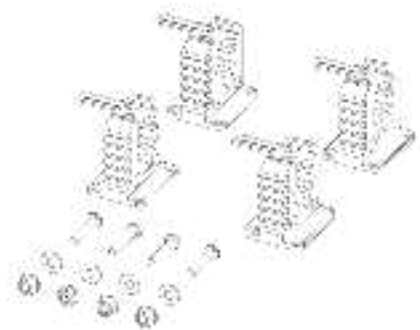
ROPS MOUNTED 5-GALLON BUCKET HOLDER - P/N: 1RM5GBH
(Bucket shown for illustration purposes)



TOOL BAR WALL MOUNT
P/N: 1RMTBWM



RUBBER CLAMPS, .63"-1.38" DIA.,
PACK OF 4 WITH HARDWARE
P/N: 1WL08-4PK

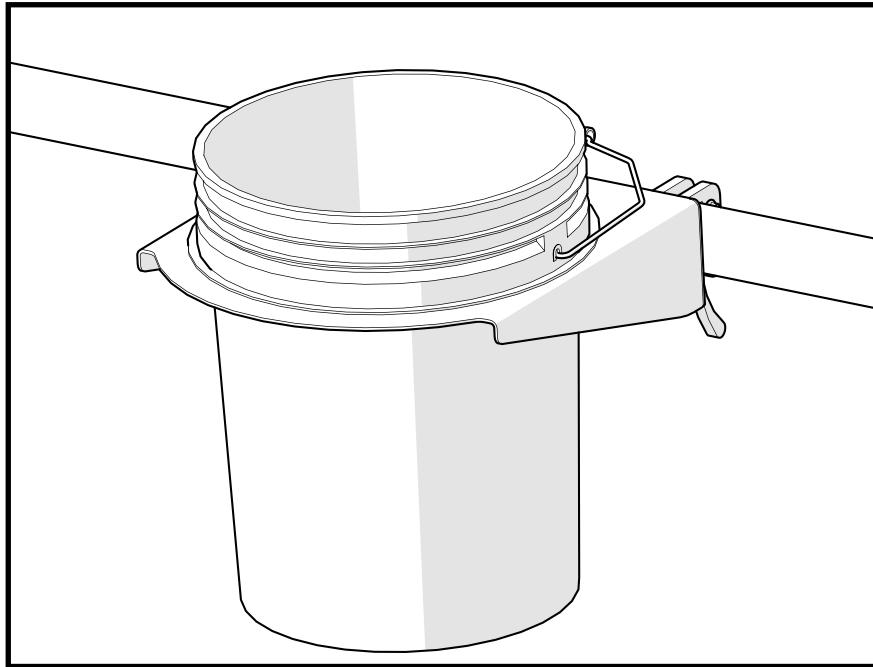


MORE ACCESSORIES COMING SOON!



**ARTILLIAN ROPS MOUNTED
5 GALLON BUCKET HOLDER
P/N: 1RM5GBH**

For use on the Artillian ROPS Mounted Tool Bar (P/N: 1RMTB) (sold separately)



The Artillian ROPS Mounted 5-Gallon Bucket Holder is designed to fit this standard and widely used type of container. Useful for picking up and storing yard debris, trash, and other items encountered when mowing and landscaping. When the job is done, lift the bucket out and dump in the trash. Many other uses possible.

Made from laser-cut & powder coated 14GA steel, it will stand up to the elements and everyday use. Rated for 40 lbs.

The quick release *Cam Lever Latches* allow for easy removal of the Bucket Holder for storage or replacement with one of the many other Artillian ROPS Mounted Tool Bar Accessories.

Approximate Installation Time
Experienced Dealer Technician – 2 Minutes
Average Dealer Technician – 2 Minutes
Do-It-Yourself – 2 Minutes

Approximate Product Specifications
Dimensions: 19" L x 13" W x 6.5" H
Weight: 7.5 lbs. (not including mounting bar)
Capacity: 40 lbs.



CAUTION

Do not exceed the rated capacity for the Bucket Holder. Doing so may result in damage to the Holder and/or the Tool Bar and will void the warranty.

The contents of this envelope are the property of the owner. Leave with the owner when installation is complete.

FEATURES AND OPERATION

ATTACH TO MOUNTING BAR:

1. Figure 1 shows a 5-gallon bucket holder installed onto an Artillian ROPS Mounted Tool Bar.
2. To install the bucket holder, rotate both cam levers UP, then place onto the Tool Bar. See fig. 2.

Note: if the Cam Lever Latches do not sit flush on the Tool Bar, one of the clamp plates may not have been fully open. Simply remove the bucket holder, rotate the cam levers up and tilt the bucket holder away from you to ensure the clamp plates are fully open, then reinstall on the Tool Bar.

3. To secure the bucket holder to the Tool Bar, rotate both cam levers DOWN until they cam over. See fig. 3.

NOTE: For additional security, the bucket holder can be locked to the Tool Bar by inserting a padlock through the holes in the mounting bracket where shown in fig. 3.

4. To remove the bucket holder from the Tool Bar, rotate both cam levers UP, then lift the bucket holder.

FEATURES AND OPERATION

1. For optimal functionality, the cam lever latches are factory assembled with some friction between the cam lever and the housing. This ensures the cam lever doesn't accidentally flip closed while the user attempts to install it on the bar. If the cam levers loosen up over time, simply tighten the nut and bolt that secure the lever to the housing until the desired resistance on the cam lever has been achieved.
2. Holes are provided in the center of the bucket holder to allow a cam lever latch to be removed from one side and bolted in the center to allow the bucket holder to overhang the tool bar on one side, if desired. See fig. 4.

Note that the tool bar may need to be shifted to one side to allow the bucket holder to overhang.

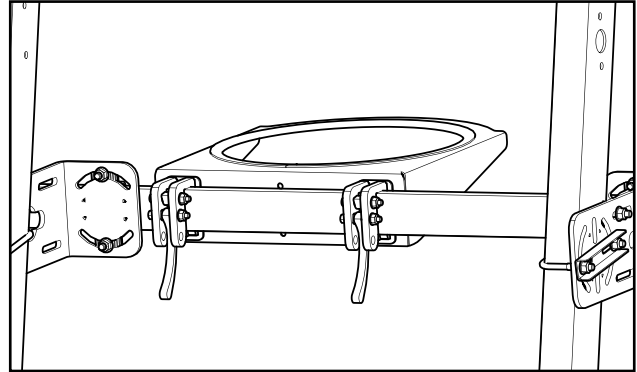


Fig. 1 (attaching the bucket holder)

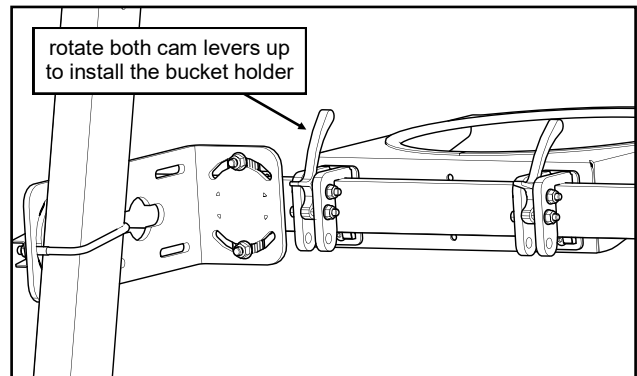


Fig. 2 (cam lever in the open position)

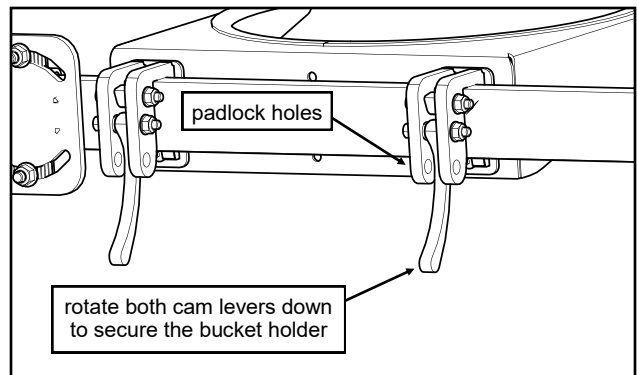


Fig. 3 (cam lever in the closed position)

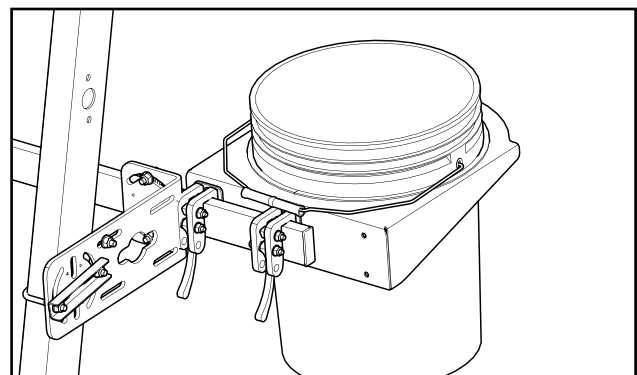


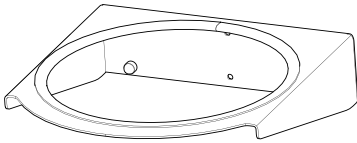
Fig. 4 (bucket holder set to overhang)

SERVICE PARTS:

CAM LEVER LATCH
P/N: 8SV-110-00071 (QTY.: ONE)



BUCKET HOLDER (with Trim Lok)
P/N: 8SV-113-00224



TRIM LOK (10 feet long)
P/N: 9SV-PRO1-10

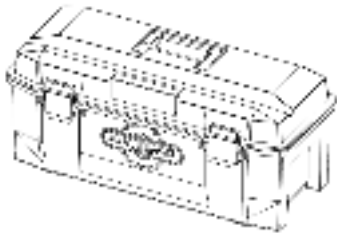


SAFETY WALK ADHESIVE STRIPS
P/N: 9SV-9PR62-375 (QTY.: 12)



OTHER ACCESSORIES:

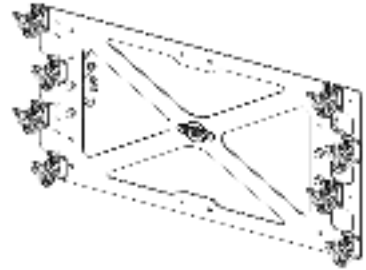
ROPS MOUNTED TOOLBOX, X-LARGE
P/N: 1RMTBXL



ROPS MOUNTED TOOLBOX, LARGE
P/N: 1RMTBXS



ROPS MOUNTED TOOL RACK
P/N: 1RMTRK



ROPS MOUNTED CHAINSAW MOUNT
P/N: 1RMCSM
(chainsaw shown for illustration purposes)



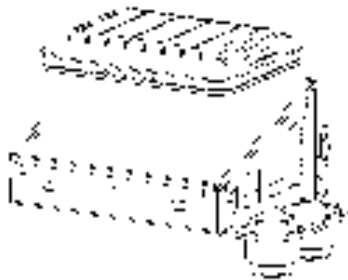
ROPS MOUNTED FUEL CAN HOLDER
P/N: 1RMFCH
(Fuel can, wedges, & maul shown for illustration purposes)



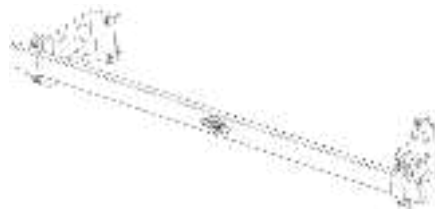
ROPS MOUNTED TOOL BASKET
P/N: 1RMTBSK



BEVERAGE COOLER HOLDER
P/N: 1RMBCH
(cooler shown for illustration purposes)



TOOL BAR WALL MOUNT
P/N: 1RMTBWM

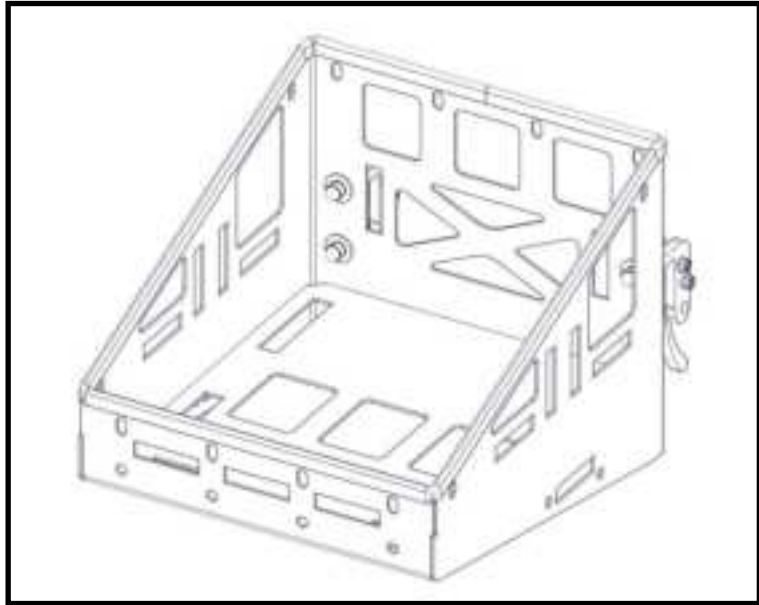


MORE ACCESSORIES COMING SOON!



**ARTILLIAN ROPS MOUNTED
FUEL CAN HOLDER
P/N: 1RMFCH**

For use on Artillian ROPS Mounted Tool Bar (P/N: 1RMTB) (sold separately)



Comes with 15ft long x 1 inch wide E-Track Cam-buckle Strap (not shown)

The Artillian ROPS Mounted Fuel Can Holder is a convenient steel tray for carrying fuel cans. An included cam-buckle strap with E-track fittings securely holds a 2-1/2 gallon fuel can and a 1 gallon bar oil can in place and allows for quick removal on the go. Many E-track locking positions and additional bungee cord slots suit various fuel can sizes and orientations. Provisions for carrying a maul or sledge hammer and several wedges make this the perfect accessory for a day in the woods felling trees.

The quick release *Cam Lever Latches* allow for easy removal of the Fuel Can Holder for storage or replacement with one of the many other Artillian ROPS Mounted Tool Bar Accessories.

Approximate Set-Up Time
Experienced Dealer Technician – 15 Minutes
Average Dealer Technician – 15 Minutes
Do-It-Yourself – 15 Minutes

Approximate Product Specifications
Overall dim's: 13-1/2" wide x 15-1/2" deep x 11-5/8" high
Weight: 21 lbs. (not including mounting bar)
Capacity: 45 lbs.

⚠ CAUTION

Do not exceed the rated capacity for the Fuel Can Holder. Doing so may result in damage to the Fuel Can Holder and/or the Tool Bar and will void the warranty.

The contents of this envelope are the property of the owner. Leave with the owner when installation is complete.

SET-UP

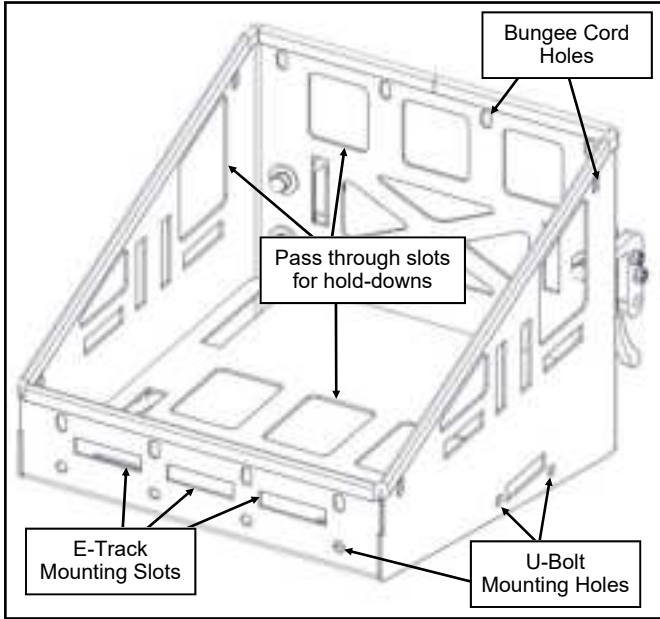


Fig. 1a (mounting point option 1)

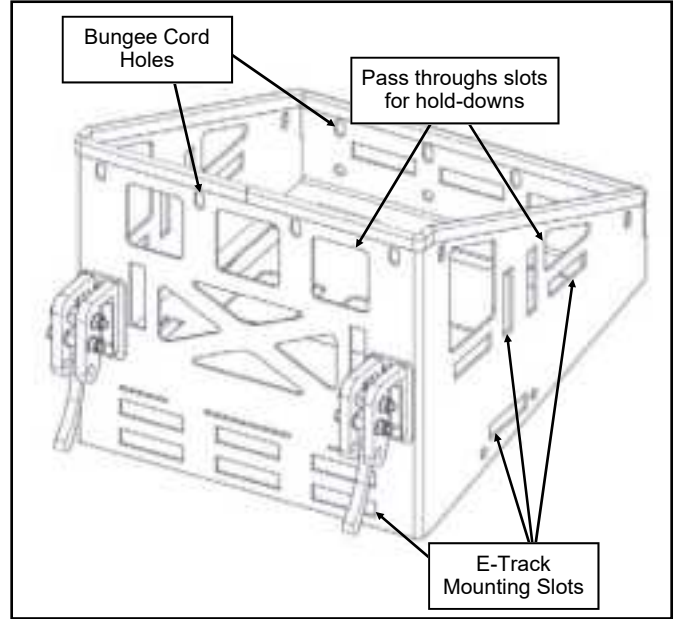


Fig. 1b (mounting point option 2)

SET-UP

1. The design features include many E-Track slots, bungee cord holes, splitting/felling wedge slots, several pass through slots for hold-down straps and various mounting hole locations for a U-bolt. See figs. 1a, b, & c.
2. Based on the size of your fuel and bar oil cans, locate the best E-track slots that will securely hold these items. Install the fixed end of the hold-down strap first. To install the E-track fitting, pull the release lever towards the cam buckle, hook the release lever end of the fitting into the mount and then insert the other end. Release the lever. See figs. 2a & b.

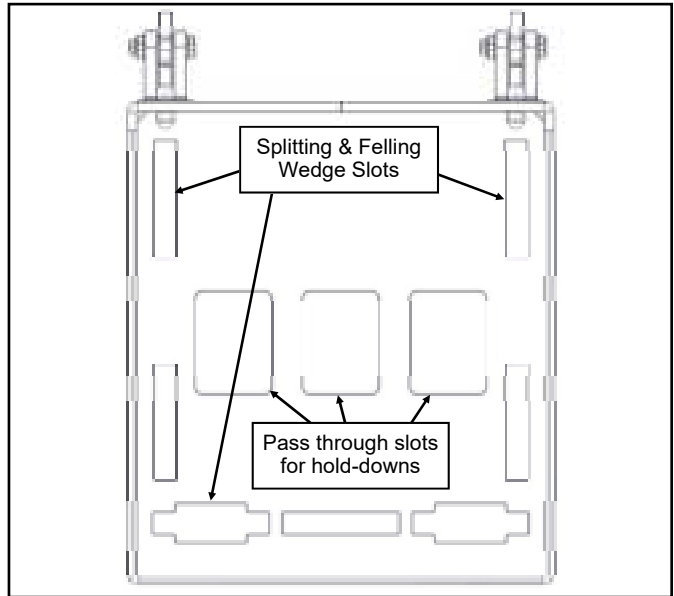


Fig. 1c (wedge mount locations)

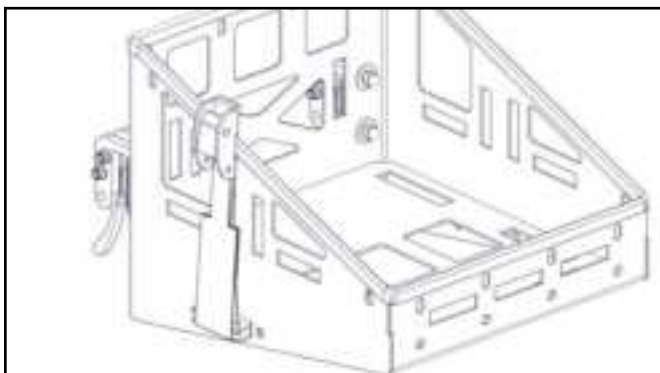


Fig. 2b (fixed end of hold-down strap installed)

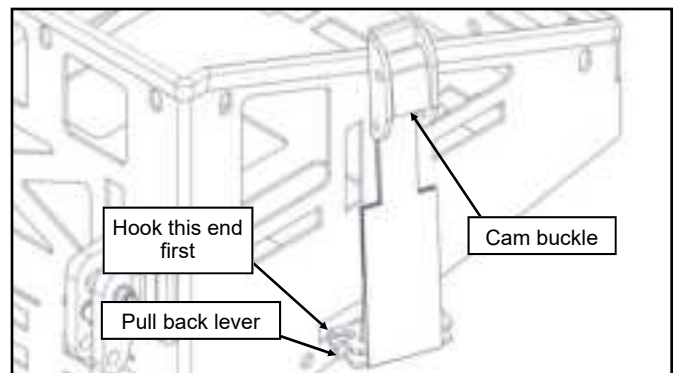


Fig. 2a (install fixed end of hold-down strap)

SET-UP

SET-UP (cont'd.)

3. Install the adjustable length E-track cam-buckle strap in the desired E-track slot location. Run the strap through each of the fuel cans' handles as shown in fig. 3.
4. Install the adjustable end of strap into the fixed end's cam buckle and tighten strap down. Once fully tightened, cut the excess strap (if desired) using a pair of scissors.



Remove the fuel can and bar oil from the fuel can holder prior to the next step.

5. Once the strap is cut to length, use a heat gun or lighter to singe the cut end of the strap to make sure that the strap does not fray. See fig. 5.

Note: One E-track cam-buckle strap is provided in the kit. However, the mount was designed with many E-track and bungee cord holes to allow the user the option to add more straps or bungee cords, as desired.

6. A U-Bolt and (4) 3/8-16 flange hex nuts are included in this kit. These are for carrying a sledgehammer or maul. There are a set of holes for this U-bolt on either side of the mount and (4) holes in the front. The front hole pattern allows for 3 possible U-bolt mounting positions. Loosely install the U-bolt (in the desired location) and nuts per fig. 6a, then hand tighten. Per fig. 6b, install a sledgehammer or maul into U-bolt. Make required adjustments and tighten down the nuts. *Note: make sure that the handle for the tool clears the rear tire and 3-point hitch arms.*

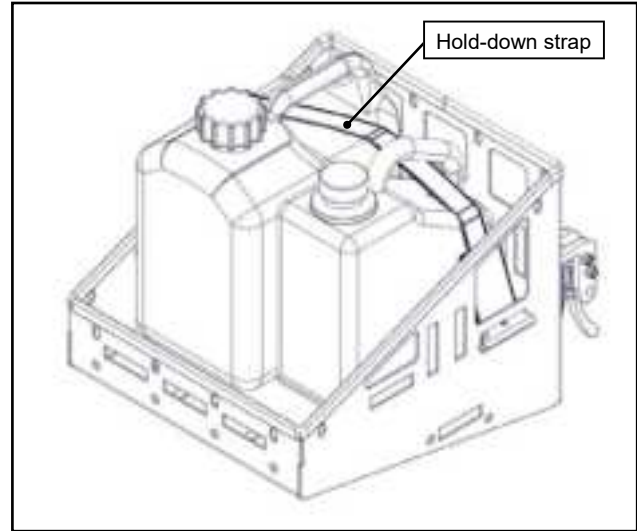


Fig. 3 (install adjustable length hold-down strap end)

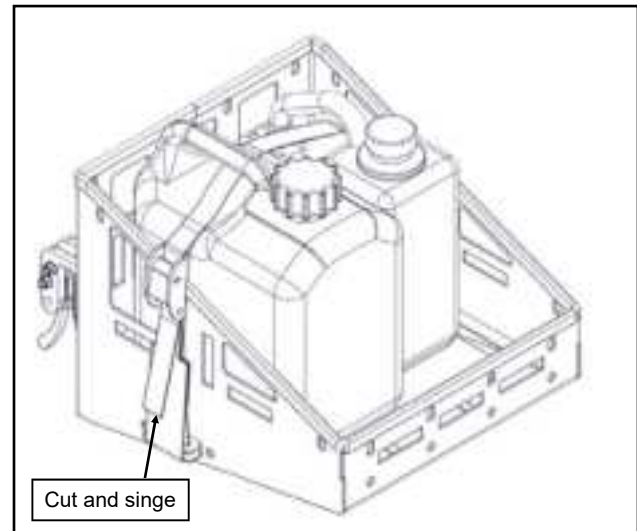


Fig. 5 (cut adjustable length hold-down strap end)

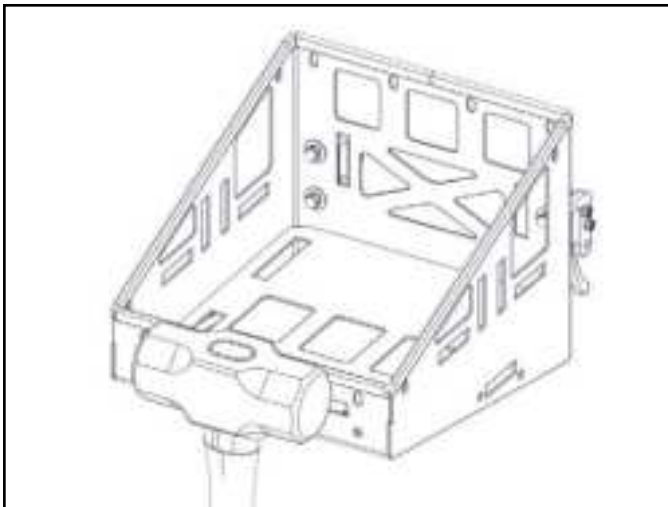


Fig. 6b (adjust U-bolt to fit sledgehammer or maul)

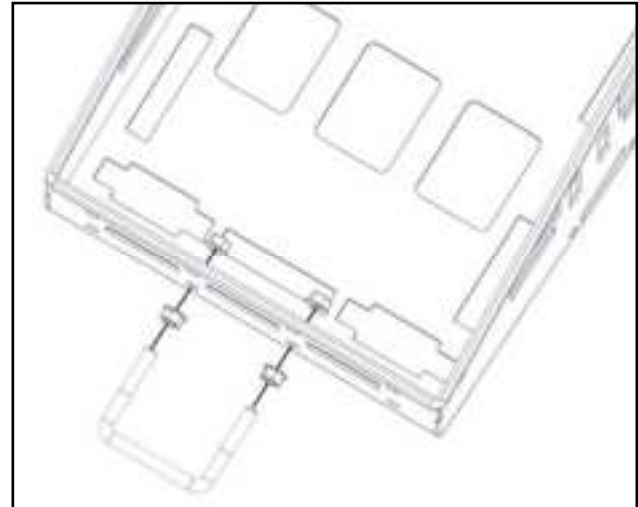


Fig. 6a (install U-bolt and flange nuts for maul)

ATTACHING AND OPERATION

ATTACH TO MOUNTING BAR:

Note: The Artillian ROPS Mounted Toolbar is designed to hold multiple accessories at one time. If placed appropriately, up to 3 separate accessories may be possible. For example, the Chainsaw Mount, Fuel Can Holder, and Beverage Cooler Holder were designed to fit on the toolbar simultaneously.

7. Fig. 7 shows a fuel can holder installed onto an Artillian ROPS Mounted Tool Bar.
8. To install the fuel can holder, rotate both cam levers UP, then place onto the Tool Bar. See fig. 8.

Note: if the Cam Lever Latches do not sit flush on the Tool Bar, one of the clamp plates may not have been fully open. Simply remove the fuel can holder, rotate the cam levers up and tilt the fuel can holder away from you to ensure the clamp plates are fully open, then reinstall on the Tool Bar.

9. To secure the fuel can holder to the Tool Bar, rotate both cam levers DOWN until they cam over. See fig. 9.

NOTE: For additional security, the fuel can holder can be locked to the Tool Bar by inserting a padlock through the holes in the mounting bracket where shown in fig. 9.

10. To remove the fuel can holder from the Tool Bar, rotate both cam levers UP, then lift the fuel can holder.

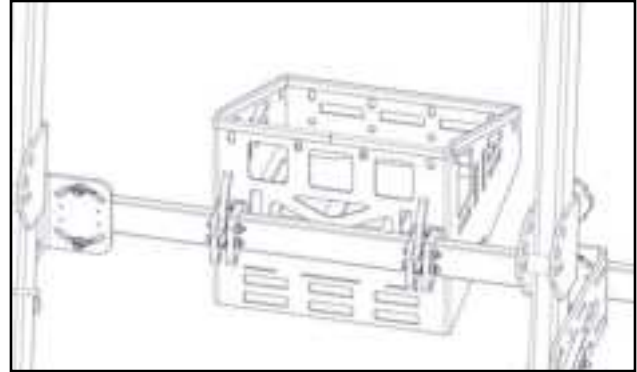


Fig. 7 (attaching a fuel can holder)

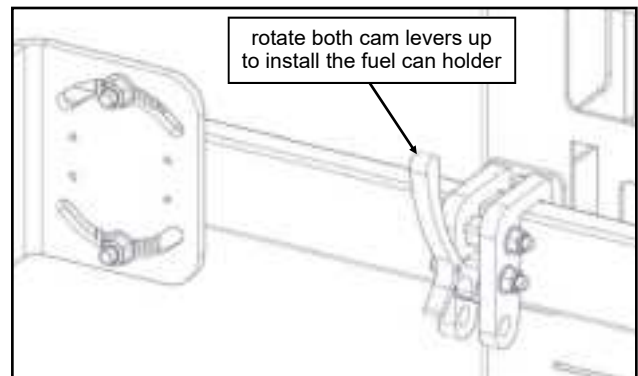


Fig. 8 (cam lever in the open position)

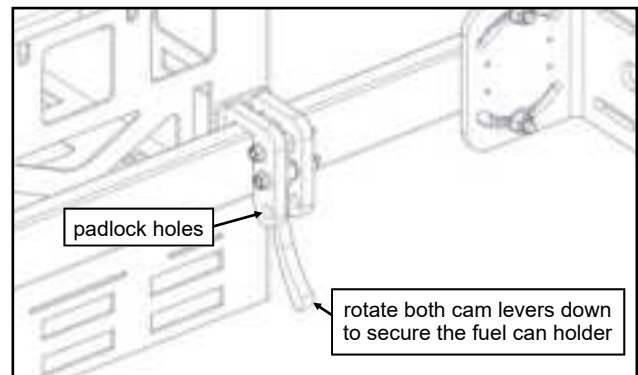


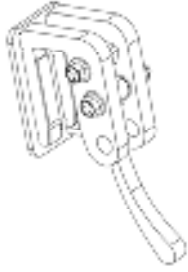
Fig. 9 (cam lever in the closed position)

OPERATION

11. For optimal functionality, the cam lever latches are factory assembled with some friction between the cam lever and the housing. This ensures the cam lever doesn't accidentally flip closed while the user attempts to install it on the bar. If the cam levers loosen up over time, simply tighten the nut and bolt that secure the lever to the housing until the desired resistance on the cam lever has been achieved.

SERVICE PARTS:

CAM LEVER LATCH
P/N: 8SV-110-00071 (QTY.: ONE)



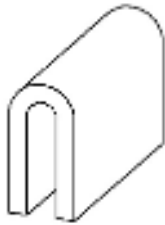
1" WIDE HOLD-DOWN, 15' LG, BLACK
P/N: 9SV-9BC06 (QTY.: ONE)



FUEL CAN HOLDER (with Trim Lok)
P/N: 8SV-WA-00368 (QTY.: ONE)



TRIM LOK (10 feet long)
P/N: 9SV-PRO1-10

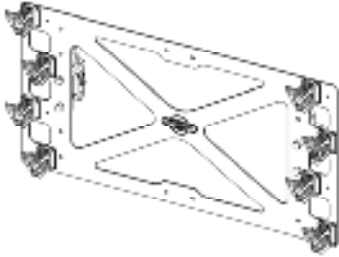


SAFETY WALK ADHESIVE STRIPS
P/N: 9SV-9PR62-375 (QTY.: 12)

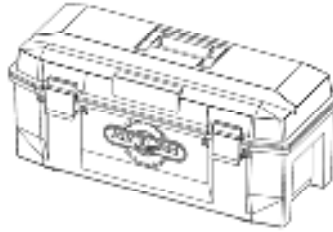


OTHER ACCESSORIES:

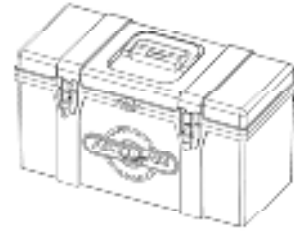
ROPS MOUNTED TOOL RACK
P/N: 1RMTRK



ROPS MOUNTED TOOLBOX, X-LARGE
P/N: 1RMTBXL



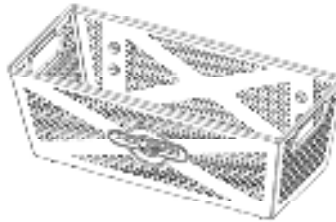
ROPS MOUNTED TOOLBOX, LARGE
P/N: 1RMTBXS



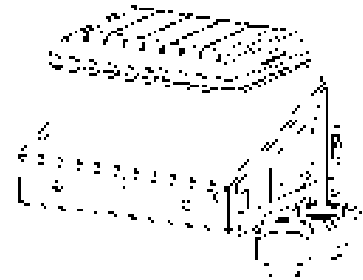
ROPS MOUNTED CHAINSAW MOUNT
P/N: 1RMCSM
(chainsaw shown for illustration purposes)



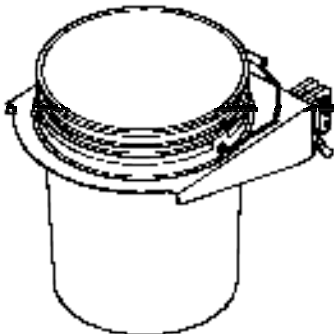
ROPS MOUNTED TOOL BASKET
P/N: 1RMTBSK



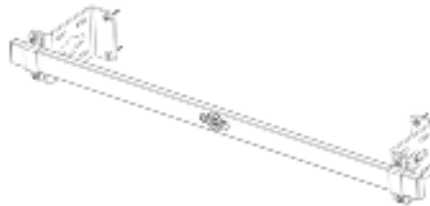
BEVERAGE COOLER HOLDER
P/N: 1RMBCH
(cooler shown for illustration purposes)



ROPS MOUNTED 5-GALLON BUCKET
HOLDER - P/N: 1RM5GBH
(Bucket shown for illustration purposes)



TOOL BAR WALL MOUNT
P/N: 1RMTBWM

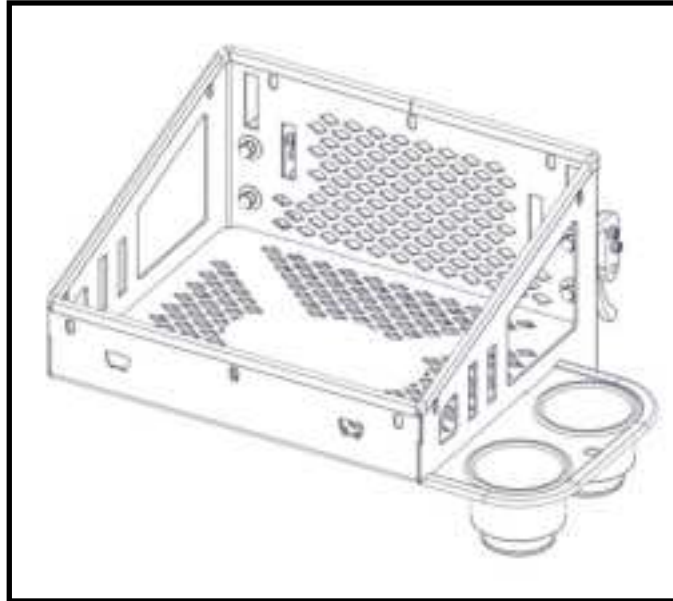


MORE ACCESSORIES COMING SOON!



**ARTILLIAN ROPS MOUNTED
BEVERAGE COOLER HOLDER
P/N: 1RMBCH**

For use on Artillian ROPS Mounted Tool Bar (P/N: 1RMTB) (sold separately)



Comes with 15ft long x 1 inch wide E-Track Cam-buckle Strap (not shown)

The Artillian Beverage Cooler Holder is the perfect accessory for a full day out on the tractor. Large enough to hold most 12-pack coolers, you now have a place to store your lunch and some ice cold drinks! An included cam buckle strap with E-track fittings securely holds a cooler in place and allows for quick removal on the go. Many E-track locking positions suit various cooler sizes and orientations. Texture black powder coat, integrated bottle openers, and two included cup holders round out the design.

Integrated Cam Lever Latches securely lock onto the Artillian ROPS Mounted Tool Bar (sold separately) in seconds without the use of tools.

Approximate Set-Up Time
Experienced Dealer Technician – 15 Minutes
Average Dealer Technician – 15 Minutes
Do-It-Yourself – 15 Minutes

Approximate Product Specifications
Dim's.: 16-3/4" & 22-3/8" L to R, 14" F to B, 10-1/2" high
Weight: 19 lbs. (not including mounting bar)
Capacity: 40 lbs.

CAUTION Do not exceed the rated capacity for the Beverage Cooler Holder. Doing so may result in damage to the holder and/or the Tool Bar and will void the warranty.

The contents of this envelope are the property of the owner. Leave with the owner when installation is complete.

SET-UP

SET-UP

1. The beverage cooler holder features include many E-Track slots, bungee cord holes, bottle openers, cup holders and even a carabiner clip hole for a carabiner mounted accessory (for example: a Bluetooth speaker). See fig. 1.
2. Insert the (2) supplied cup holders into the mounting holes. See fig. 2.
3. Based on the size of your beverage cooler, locate the best E-track slots that meet your needs. Install the fixed end of the strap first. To install the E-track fitting, pull the release lever towards the cam buckle, hook the release lever end of the fitting into the mount and then insert the other end. Release the lever. See figs. 3a & b.

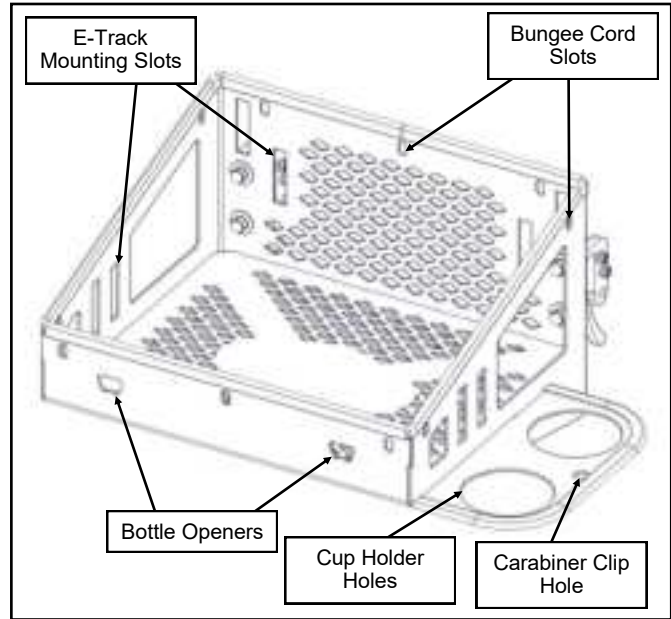


Fig. 1 (mounting point options)

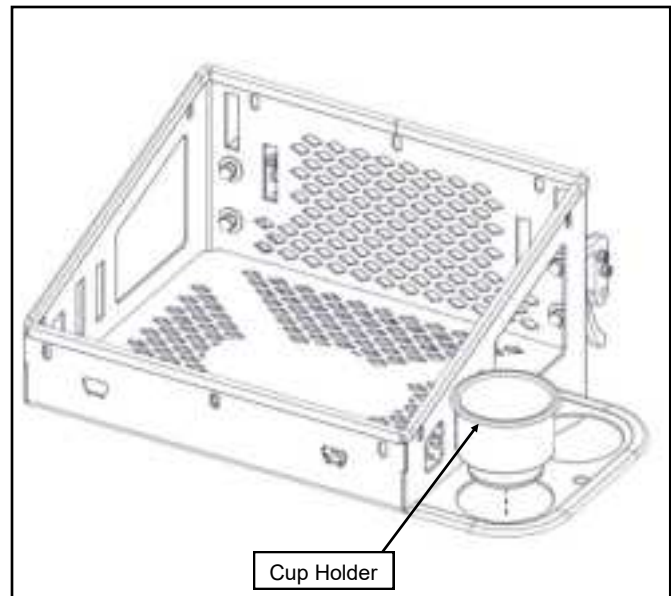


Fig. 2 (installing cup holders)

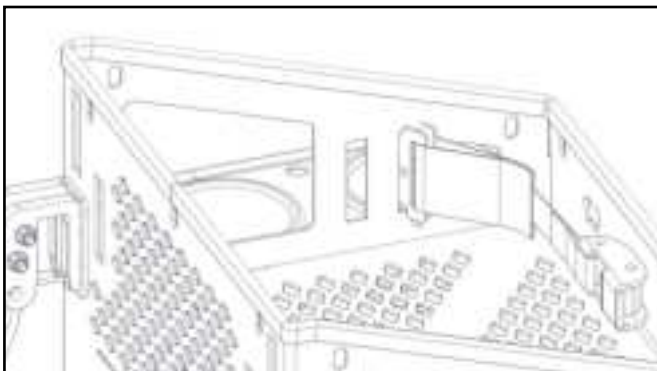


Fig. 3b (fixed end of hold-down strap installed)

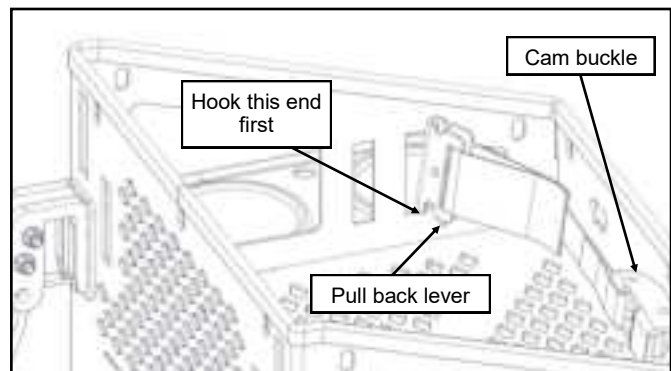


Fig. 3a (install fixed end of hold-down strap)

SET-UP

SET-UP (cont'd.)

4. Install the adjustable length E-track cam-buckle strap in the desired E-track slot location. Route the strap around the front of the cooler as shown in fig. 4. *Note: If you have chosen to use one of the alternate E-track slots, route the strap accordingly.*
5. Install the adjustable end of strap into the fixed end's cam buckle and tighten strap down. Once fully tightened, cut the excess strap (if desired) using a pair of scissors.



Remove the beverage cooler from the beverage cooler holder prior to the next step.

6. Once the strap is cut to length, use a heat gun or lighter to singe the cut end of the strap to make sure that the strap does not fray. See fig. 6.

Note: One E-track cam-buckle strap is provided in the kit. However, the mount was designed with many E-track and bungee cord slots to allow the user the option to add more straps or bungee cords, as desired.

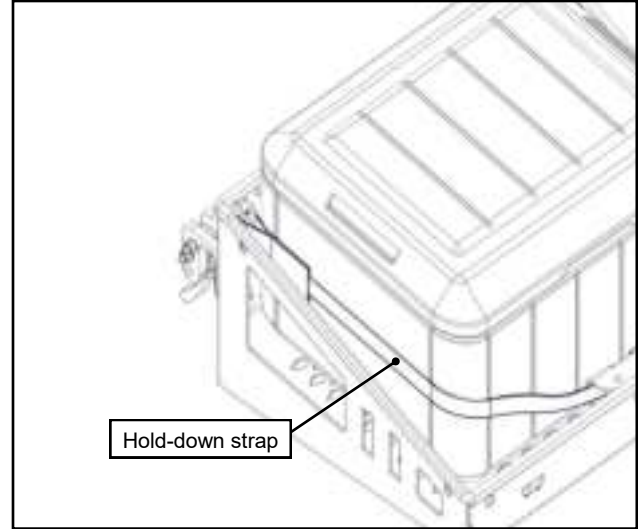


Fig. 4 (install adjustable length hold-down strap end)

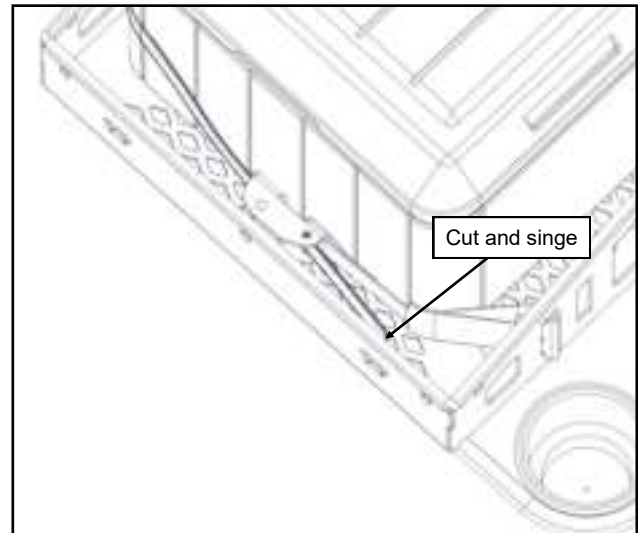


Fig. 6 (cut adjustable length hold-down strap end)

ATTACHING AND OPERATION

ATTACH TO MOUNTING BAR:

Note: The Artillian ROPS Mounted Toolbar is designed to hold multiple accessories at one time. If placed appropriately, up to 3 separate accessories may be possible. For example, the Chainsaw Mount, Fuel Can Holder, and Beverage Cooler Holder were designed to fit on the toolbar simultaneously.

7. Figure 7 shows a beverage cooler holder installed onto an Artillian ROPS Mounted Tool Bar.
8. To install the beverage cooler holder, rotate both cam levers UP, then place onto the Tool Bar. See fig. 8.

Note: if the Cam Lever Latches do not sit flush on the Tool Bar, one of the clamp plates may not have been fully open. Simply remove the beverage cooler holder, rotate the cam levers up and tilt the beverage cooler holder away from you to ensure the clamp plates are fully open, then reinstall on the Tool Bar.

9. To secure the beverage cooler holder to the Tool Bar, rotate both cam levers DOWN until they cam over. See fig. 9.

NOTE: For additional security, the beverage cooler holder can be locked to the Tool Bar by inserting a padlock through the holes in the mounting bracket where shown in fig. 9.

10. To remove the beverage cooler holder from the Tool Bar, rotate both cam levers UP, then lift the beverage cooler holder.

OPERATION

11. For optimal functionality, the cam lever latches are factory assembled with some friction between the cam lever and the housing. This ensures the cam lever doesn't accidentally flip closed while the user attempts to install it on the bar. If the cam levers loosen up over time, simply tighten the nut and bolt that secure the lever to the housing until the desired resistance on the cam lever has been achieved.

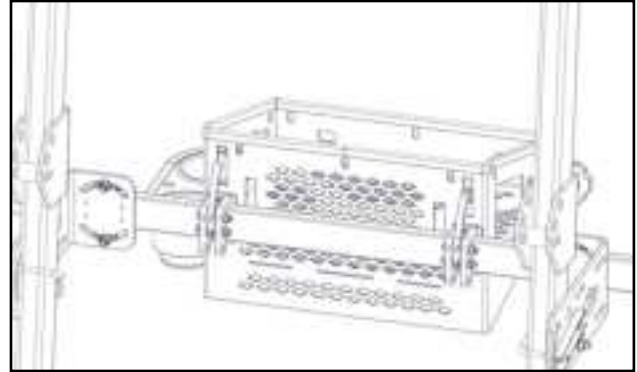


Fig. 7 (attaching a beverage cooler holder)

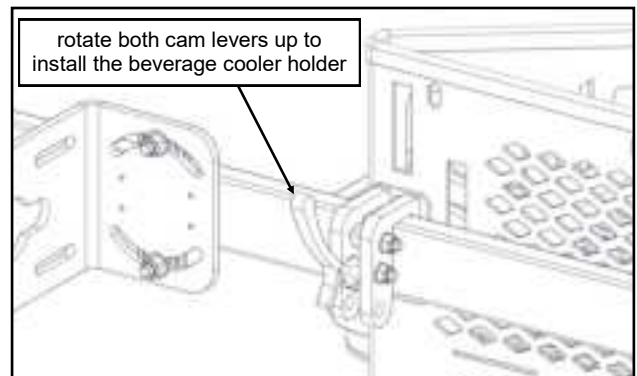


Fig. 8 (cam lever in the open position)

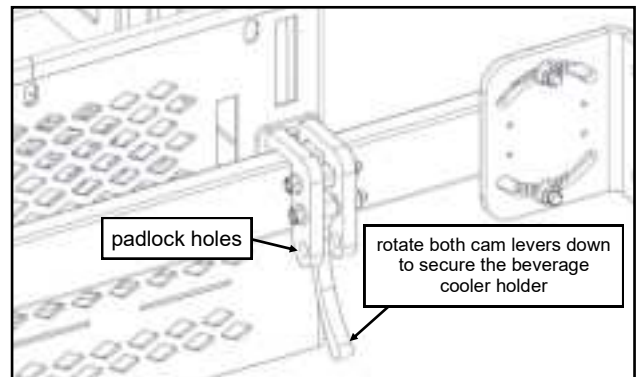


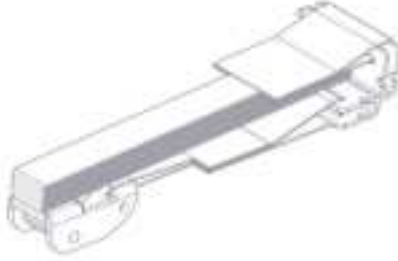
Fig. 9 (cam lever in the closed position)

SERVICE PARTS:

CAM LEVER LATCH
P/N: 8SV-110-00071 (QTY.: ONE)



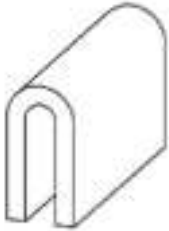
1" WIDE HOLD-DOWN, 15' LG, BLACK
P/N: 9SV-9BC06 (QTY.: ONE)



BEVERAGE COOLER HOLDER (with Trim Lok); P/N: 8SV-WA-00372 (QTY.: ONE)



TRIM LOK (10 feet long)
P/N: 9SV-PRO1-10



SAFETY WALK ADHESIVE STRIPS
P/N: 9SV-9PR62-375 (QTY.: 12)

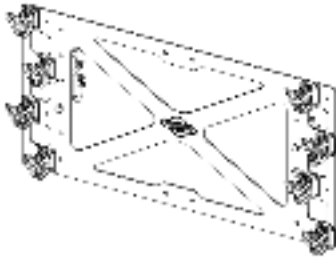


CUP HOLDER, 3.75" DIAM. X 3.25" TALL; P/N: 9SV-9CUP02 (QTY.: ONE)

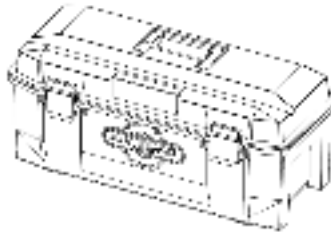


OTHER ACCESSORIES:

ROPS MOUNTED TOOL RACK
P/N: 1RMTRK



ROPS MOUNTED TOOLBOX, X-LARGE
P/N: 1RMTBXL



ROPS MOUNTED TOOLBOX, LARGE
P/N: 1RMTBXS



ROPS MOUNTED CHAINSAW MOUNT
P/N: 1RMCSM
(chainsaw shown for illustration purposes)



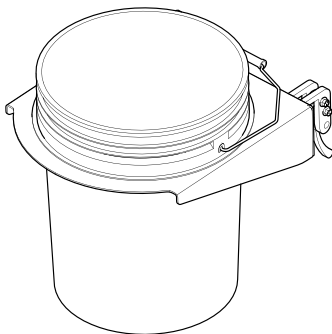
ROPS MOUNTED TOOL BASKET
P/N: 1RMTBSK



ROPS MOUNTED FUEL CAN HOLDER
P/N: 1RMFCH
(fuel can and accessories shown for illustration purposes)



ROPS MOUNTED 5-GALLON BUCKET
HOLDER - P/N: 1RM5GBH
(Bucket shown for illustration purposes)



TOOL BAR WALL MOUNT
P/N: 1RMTBWM

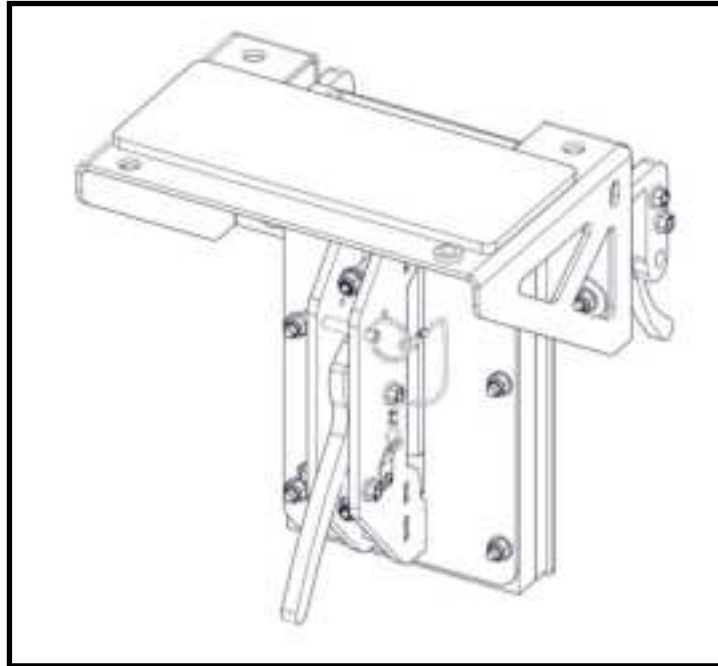


MORE ACCESSORIES COMING SOON!



**ARTILLIAN ROPS MOUNTED CHAINSAW MOUNT
P/N: 1RMCSM**

For use on the Artillian ROPS Mounted Tool Bar (P/N: 1RMTB) (sold separately)



The Artillian Chainsaw Mount holds chainsaws with bar lengths over 14-inch and widths under 4-1/2 inches (across the teeth). The “scabbard” style mount features 10GA steel with UHMW Polyethylene contact areas for added protection of the bar and chain. A spring loaded clamping mechanism securely grips bars of varying thicknesses and allows for installation and removal of the saw in seconds without the use of tools. The saw’s motor housing is supported by a steel bracket with rubber pad to prevent unnatural torsional forces on the bar. An incorporated “Scrench” holder and bungee cord attachment points complement the design.

Integrated Cam Lever Latches securely lock onto the Artillian ROPS Mounted Tool Bar (sold separately) in seconds without the use of tools.

Approximate Installation Time
Experienced Dealer Technician – 5 Minutes
Average Dealer Technician – 5 Minutes
Do-It-Yourself – 5 Minutes

Approximate Product Specifications
Dimensions: 10.5” L x 9.5” W x 12” H
Weight: 18 lbs. (not including mounting bar)
Capacity: Accepts Chainsaws with 14”-24” bars

CAUTION *Do not exceed the rated capacity for the Chainsaw Mount. Doing so may result in damage to the mount and/or the Tool Bar and will void the warranty.*

The contents of this envelope are the property of the owner. Leave with the owner when installation is complete.

FEATURES AND OPERATION

ATTACH TO MOUNTING BAR:

Note: The Artillian ROPS Mounted Toolbar is designed to hold multiple accessories at one time. If placed appropriately, up to 3 separate accessories may be possible. For example, the Chainsaw Mount, Fuel Can Holder, and Beverage Cooler Holder were designed to fit on the toolbar simultaneously.

1. Figure 1 shows a chainsaw mount installed onto an Artillian ROPS Mounted Tool Bar.
2. To install the chainsaw mount, rotate both cam levers UP, then place onto the Tool Bar. See fig. 2.

Note: if the Cam Lever Latches do not sit flush on the Tool Bar, one of the clamp plates may not have been fully open. Simply remove the chainsaw mount, rotate the cam levers up and tilt the chainsaw mount away from you to ensure the clamp plates are fully open, then reinstall on the Tool Bar.

3. To secure the chainsaw mount to the Tool Bar, rotate both cam levers DOWN until they cam over. See fig. 3.

NOTE: For additional security, the chainsaw mount can be locked to the Tool Bar by inserting a padlock through the holes in the mounting bracket where shown in fig. 3.

4. To remove the chainsaw mount from the Tool Bar, rotate both cam levers UP, then lift the chainsaw mount.

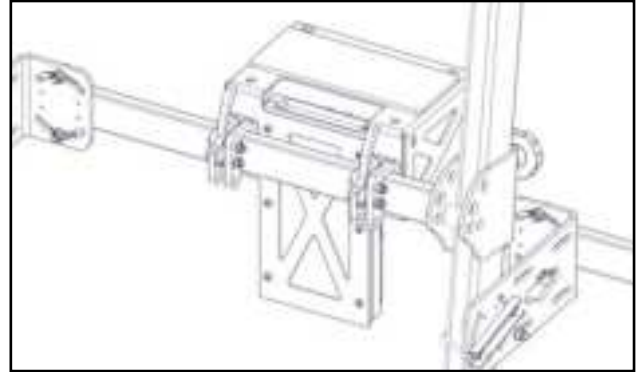


Fig. 1 (attaching the chainsaw mount)

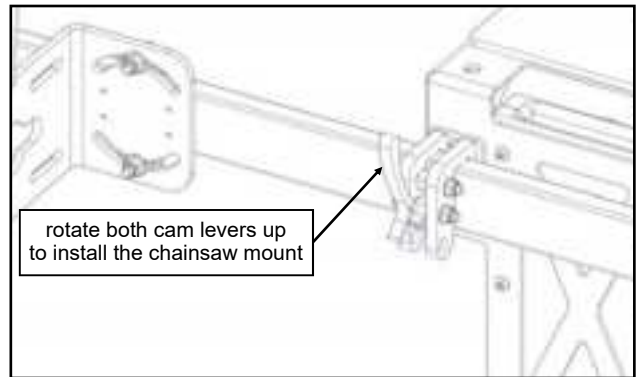


Fig. 2 (cam lever in the open position)

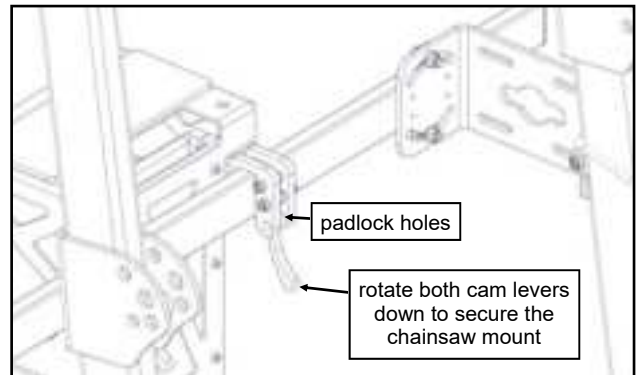


Fig. 3 (cam lever in the closed position)

FEATURES AND OPERATION

1. For optimal functionality, the cam lever latches are factory assembled with some friction between the cam lever and the housing. This ensures the cam lever doesn't accidentally flip closed while the user attempts to install it on the bar. If the cam levers loosen up over time, simply tighten the nut and bolt that secure the lever to the housing until the desired resistance on the cam lever has been achieved.
2. To install the chainsaw into the mount, pull the quick release pin and rotate the chainsaw mount's cam lever down. See fig. 4.
3. Slide the chainsaw into the mount, per fig. 5.

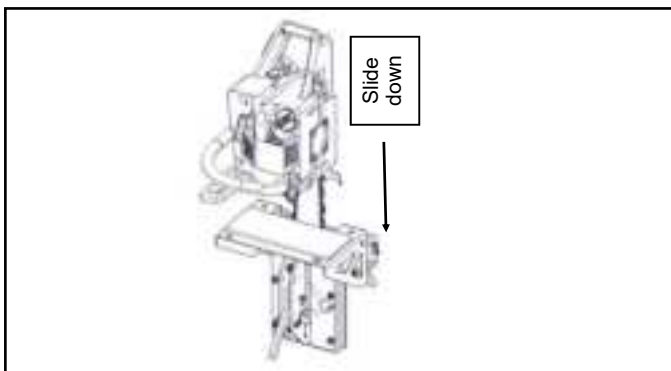


Fig. 5 (installing chainsaw, slide chainsaw into place)

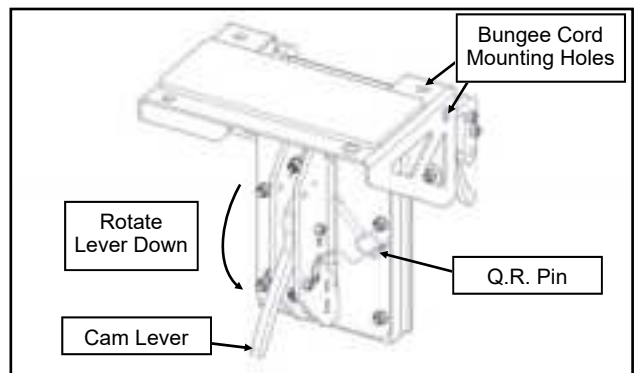


Fig. 4 (installing chainsaw, remove Q.R. pin)

FEATURES AND OPERATION

FEATURES AND OPERATION (cont'd.)

4. Per fig. 6, rotate the cam lever up. Ensure the handle rotates beyond the quick release pin mounting holes.
5. Slide the quick release pin into its mounting holes per fig. 7.

The chainsaw is now fully installed into the mount. If additional support is desired, bungee cord holes have been provided. Thread a bungee cord through the handle on the chainsaw and hook each end into a hole in the mount.

6. The chainsaw mount also includes a mounting hole with rubber grommet to secure your "Scrench". See figure 8.

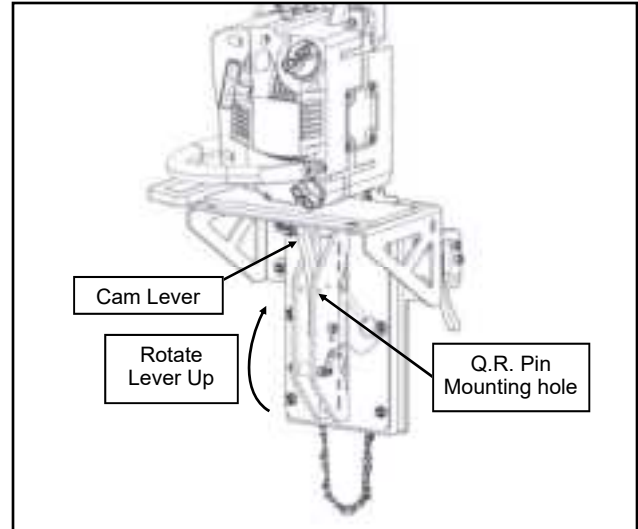


Fig. 6 (installing chainsaw, rotate cam lever up)

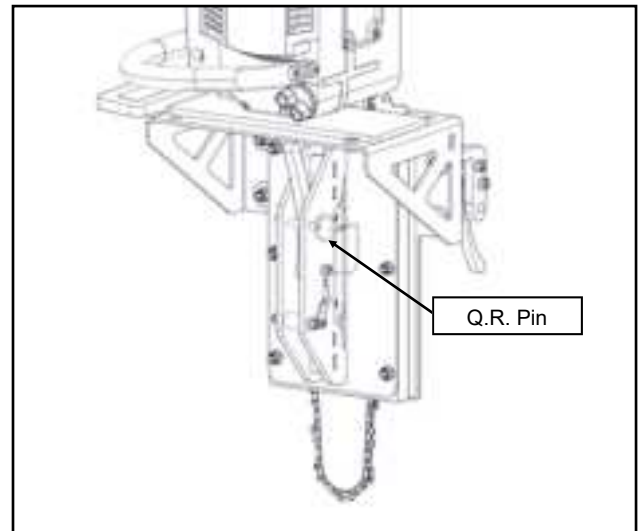


Fig. 7 (installing chainsaw, insert Q.R. Pin)

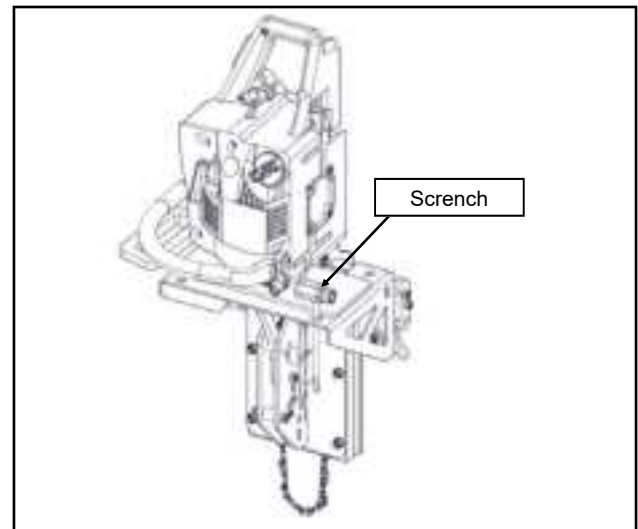
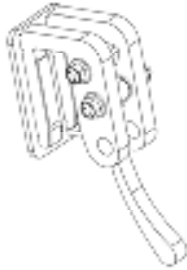


Fig. 8 (installing Scrench)

CHAINSAW MOUNT SERVICE PARTS

CAM LEVER LATCH
P/N: 8SV-110-00071 (QTY.: ONE)



TRIM LOK (10 feet long)
P/N: 9SV-PRO1-10



SAFETY WALK ADHESIVE STRIPS
P/N: 9SV-9PR62-375 (QTY.: 12)



CHAINSAW CLAMP ASSY
P/N: 8SV-113-00212



CHAINSAW MOUNTING PLATE W/
RUBBER PAD; P/N: 8SV-SM-01664



RUBBER PAD, CHAINSAW MOUNT
P/N: 9SV-9FR00061



CHAINSAW CLAMP BLOCK
P/N: 9SV-P-00120



CHAINSAW GUIDE BLOCK, CLAMP SIDE
P/N: 9SV-P-00121



CHAINSAW GUIDE BLOCK, MOUNT SIDE
P/N: 9SV-P-00122

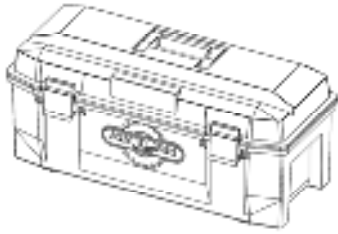


CHAINSAW CLAMP BLOCK ASSY
P/N: 8SV-113-00210



OTHER ACCESSORIES:

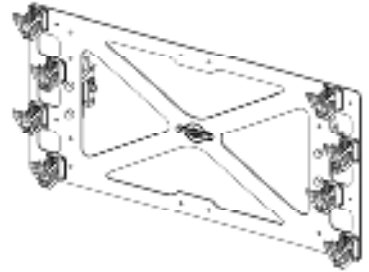
ROPS MOUNTED TOOLBOX, X-LARGE
P/N: 1RMTBXL



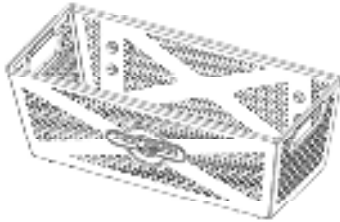
ROPS MOUNTED TOOLBOX, LARGE
P/N: 1RMTBXS



ROPS MOUNTED TOOL RACK
P/N: 1RMTRK



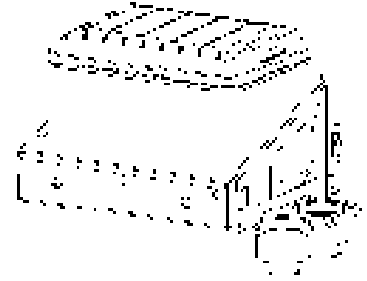
ROPS MOUNTED TOOL BASKET
P/N: 1RMTBSK



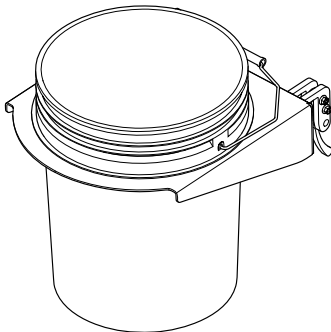
ROPS MOUNTED FUEL CAN HOLDER
P/N: 1RMFCH
(fuel cans and accessories shown for illustration purposes)



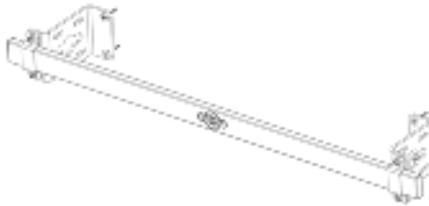
BEVERAGE COOLER HOLDER
P/N: 1RMBCH
(cooler shown for illustration purposes)



ROPS MOUNTED 5-GALLON BUCKET
HOLDER - P/N: 1RM5GBH
(Bucket shown for illustration purposes)



TOOL BAR WALL MOUNT
P/N: 1RMTBWM



MORE ACCESSORIES COMING SOON!