

# CRYSTORAMA

LIGHTING THE WAY FOR SIXTY YEARS

## ASSEMBLY INSTRUCTION MODEL #1485-HB-CL-MWP

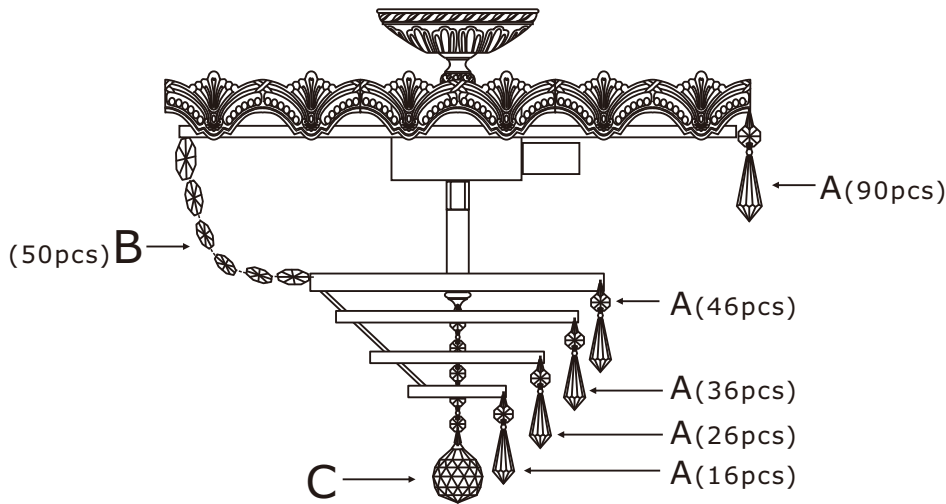


All electrical components must be installed by a licensed electrician in accordance with the National Electric Code and the appropriate local electrical codes.



You will need 5 -Candelabra Base Bulb  
40 Watts recommended 60Watts Max.  
USE LED BULBS FOR EXTENDED USE

The fixture is dry rated.



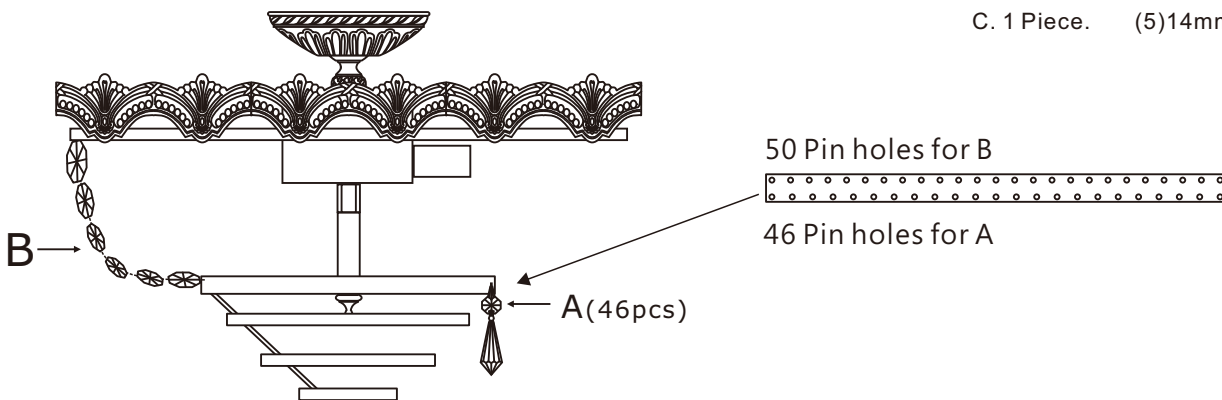
### How to Install

1. Do a complete inventory of all parts and components before you start installing.
2. After safely attaching fixture into outlet box, install bobeches, bulbs and proceed to connecting the power.
3. When you begin to dress the fixture, start with pocket labeled(A)
4. IMPORTANT: Apply crystal sets in alphabetical order.

### Crystal Sets

- A. 214 Sets. (1)14mm + AS2-1.5"  
B. 50 Sets. (1)28mm + (1)26mm + (1)24mm + (1)20mm + (1)18mm + (1)16mm  
C. 1 Piece. (5)14mm + AS8-40mm Ball

### DETAILED ILLUSTRATION

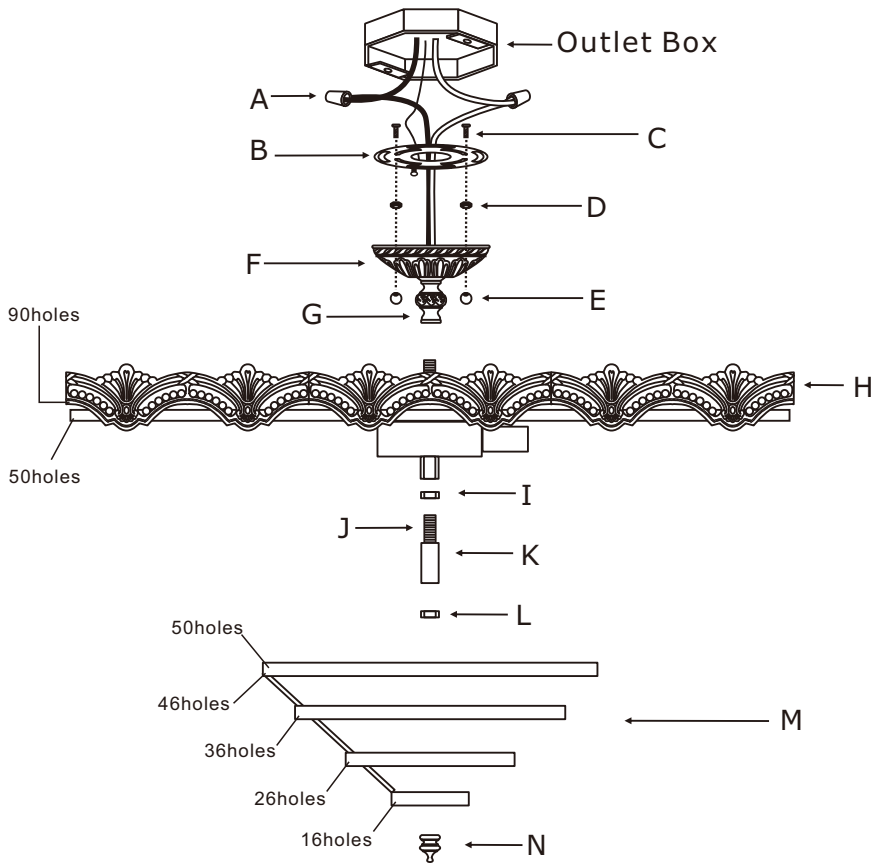


**WARNING:** This product can expose you to Lead, which is known to the State of California to cause cancer and/or birth defects or reproductive harm. For more information go to [www.P65warnings.ca.gov](http://www.P65warnings.ca.gov)

# CRYSTORAMA

LIGHTING THE WAY FOR SIXTY YEARS

PART NUMBER MODEL #1485-HB-CL-MWP



## Part Number

### Part Numbers

- A. (2)-Wire Connector
- B. (1)-Mounting Bar
- C. (1)-Screw
- D. (1)-Hex Nut
- E. (1)-Ball Nut-XSN1483HBBANUT
- F. (1)-Canopy (W5"xH1.75")  
-XSN1483CAN5IN
- G. (1)-Vase
- H. (1)-Banding kit  
Decorative banding,90 pin holes  
Inside metal ring,50 pin holes
- I. (1)-Nut
- J. (1)-Thread
- K. (1)-Metal Tube(H2")
- L. (1)-Nut
- M. (1)-4-Tier Basket;Ø10.5",H4.5"  
(50+46)+36+26+16 pin holes
- N. (1)-Finial-XSN1483HBFIN

