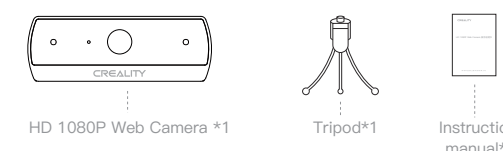


CREALITY

Operating Instruction of
 HD 1080P Web Camera

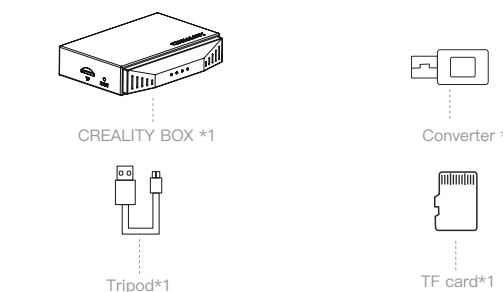
Shenzhen Creality Technology Co., Ltd

Parts list



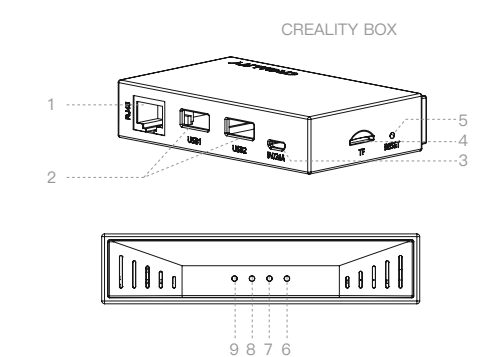
Note: It's recommended to use this camera with Creality box.

Creality Box Parts List



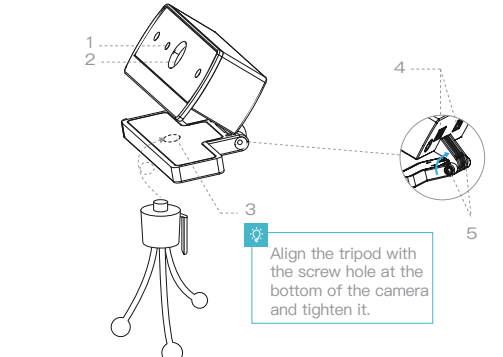
Note: External device, need to purchase separately.

Machine introduction



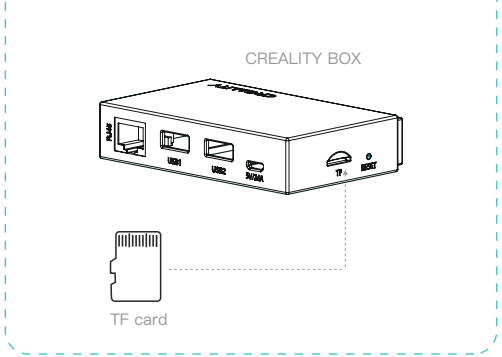
- | | |
|-----------------------------|---|
| 1 RJ45 network port | 6 Yellow light: WIFI working status |
| 2 Connect printer/camera | 7 Blue light: Ethernet indicator |
| 3 Micro USB power interface | 8 Green light: Cloud/distribution network indicator |
| 4 TF card connector | 9 Red light: TF card indicator |
| 5 Reset button | |

HD 1080P Web Camera

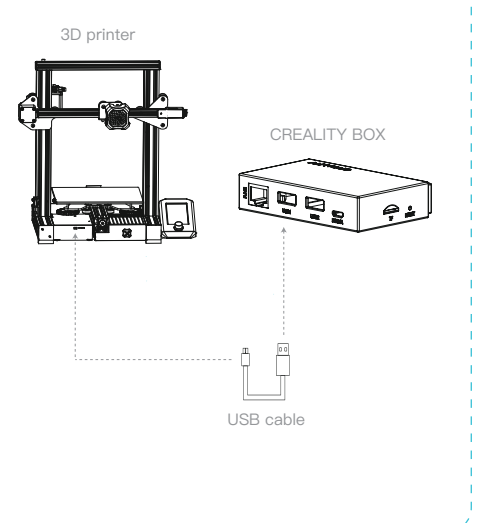


- | | |
|-----------------------|--------------------|
| 1 Indicator | 4 Ventilation hole |
| 2 Camera | 5 Rotation axis |
| 3 Support fixing hole | |
- Note: 1. When the blue light is on, it means the camera has started to work.
 2. The camera can realize the rotation function through manual adjustment.

Assembly procedure



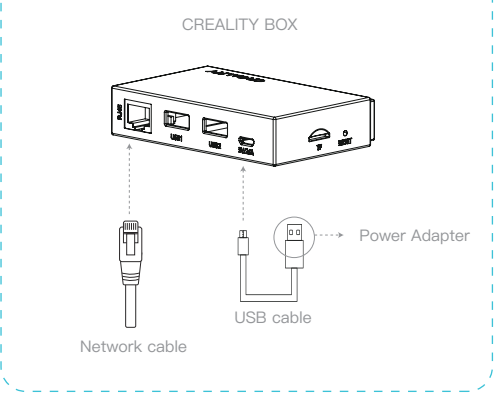
- Note: 1. When the yellow light flashes, it means the box has started to work.
 2. When the green light flashes, it means that the mobile phone network configuration information has been received, and the steady light means it is not connected to the cloud.
 3. When the red light is always on, it means that the TF card is not inserted.
1. Insert the TF card (FAT32/exFAT format) into the TF card connector of the box.



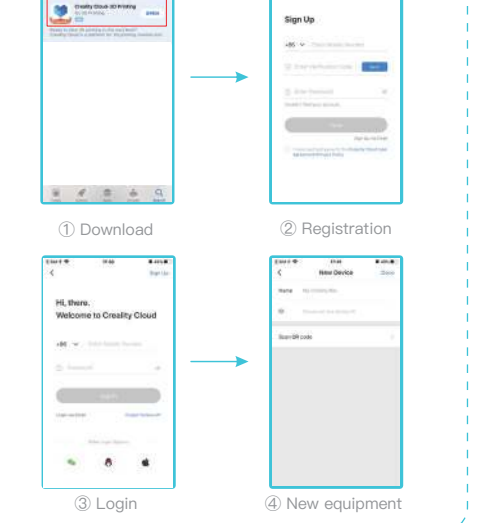
2. Connect the printer's MINI/MicroUSB port and the box's USB1/USB2 port with the USB communication cable equipped with the printer, turn on the printer's power switch to power on the machine.



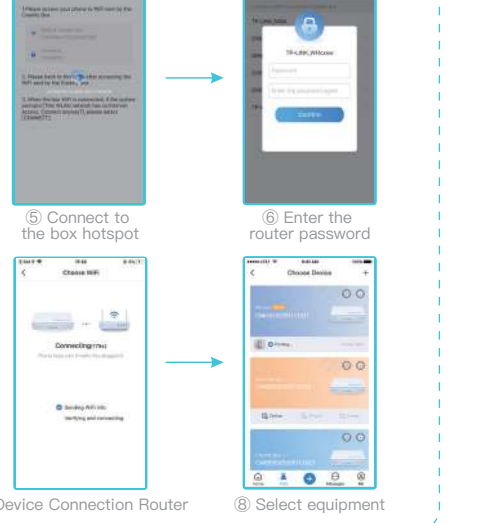
SHENZHEN CREALITY 3D TECHNOLOGY CO., LTD.
 Add: 18F, JinXiaHongDu Building, Mellong Bld., Longhua Dist., Shenzhen, China 518131
 Official Website: www.creality.com Tel: +86 755-8523 4565
 E-mail: info@creality.com cs@creality.com



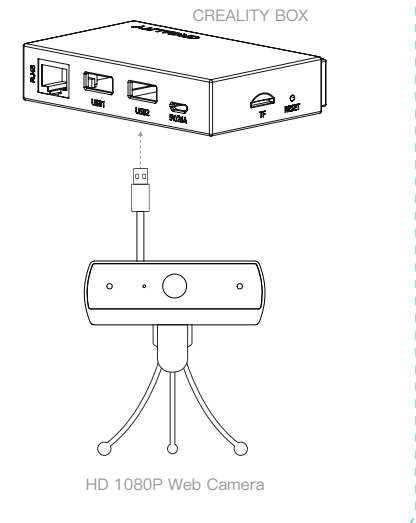
- Note: The output specification of the power adapter is 5V 2.4A (≥2A); after power on, if the box cannot be used normally due to the wrong configuration, press and hold the reset button for more than 5 seconds until the factory settings are restored and the network is reconfigured through the "Creative Cloud" APP.
3. Plug one end of the USB cable into the 5V/2.4A connector of the box, connect the other end to the power adapter and turn on the power to power up the box, then connect to the network via wired or wireless.



4. Open the mobile app store and search for "Creality Cloud" or scan the QR code on the product box to download the "Creality Cloud" APP, register and login to your account, click "Device" → "+", scan the QR code on the back of the box to add the corresponding box.



5. Connect the box WIFI to configure the network, you can use APP to print remotely after the box shows online.



6. Plug the USB connector of the camera into the USB1/USB2 connector of the WIFI box, open the "Creality Cloud" APP and click the camera icon "📷" on the device page to remotely monitor the printing status in real time.