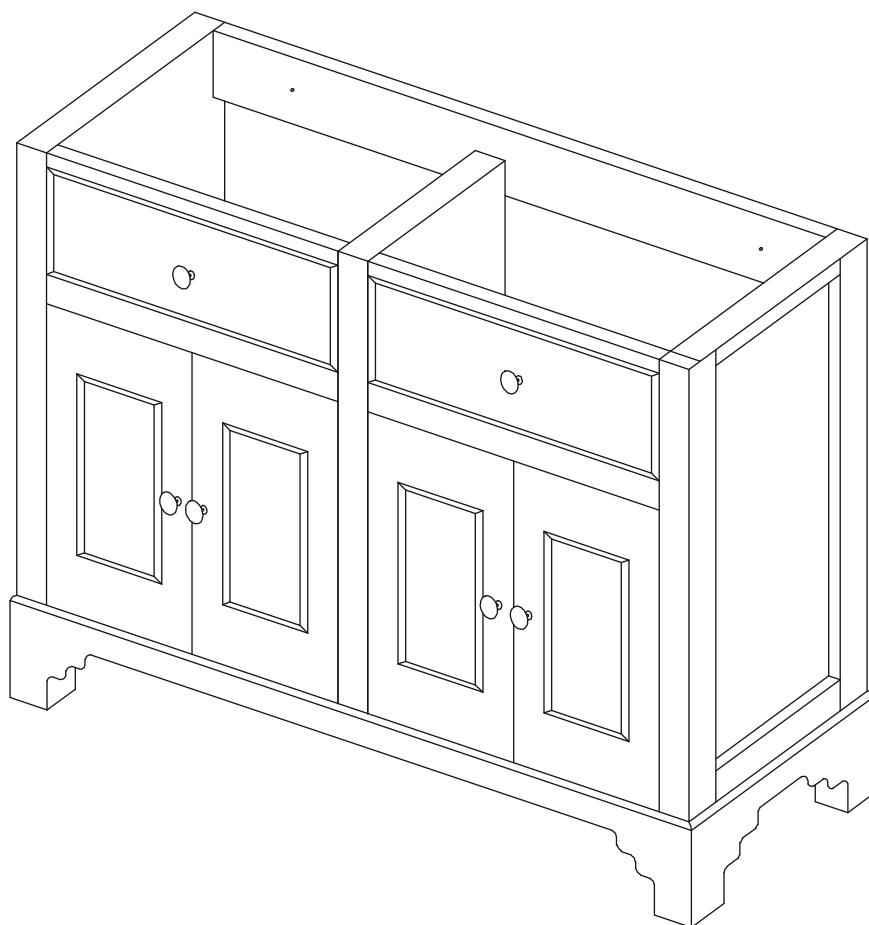




Thank you for choosing Better Bathrooms.
Please read this manual before installing your product
and keep for future reference.

better 
bathrooms

Traditional Range 1-120cm free standing cabinet BeBa_25574



All furniture must be installed in a room with good ventilation and must be wiped dry after every use to prolong the life of the product.

- **Multi-person assembly**
- **We always recommend using professional tradespeople to install your product**

Congratulations on your purchase

And welcome to our growing gang of savvy shoppers

We're on a mission to bring you extraordinary bathroom products, for less. From modern to traditional style ceramics, plus the gorgeous fixtures, fittings and furniture to match. So, you can fall in love with your space every single day.

As one of the UK's largest independent bathroom stores, we've received countless awards; including the National Business Awards UK, the Digital Entrepreneur Awards and being placed on The Sunday Times Fast Track 100.

We hope your new product goes above and beyond your expectations. However, should any problems occur, please:

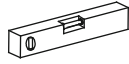
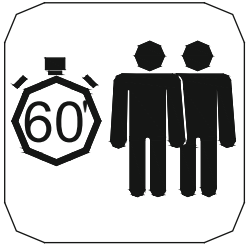
- log in to your account and contact our customer services team via your self-serve portal – betterbathrooms.com/CustomerAccount/Login
- contact us via betterbathrooms.com/content/contact-us

Important information

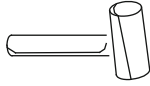
- Please read these instructions thoroughly and retain for future reference
- Please check for pipes and cables before drilling the wall

Unit Weight(Kg)	Basin Weight(Kg)	Max loading weight in addition to Unit, basin and full capacity Drawer or Shelf(Kg)	Each Drawer or Shelf Loading Capacity (Kg)
46,00	19,55	10,45	5,00

Tools required(Tools not provided)



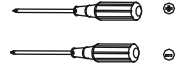
Spirit Level



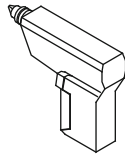
Hammer



Pencil



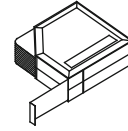
Screw Driver



Electric Drill

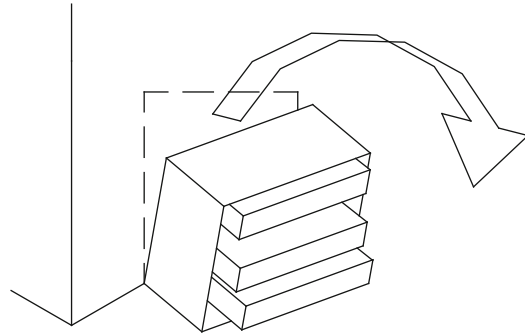
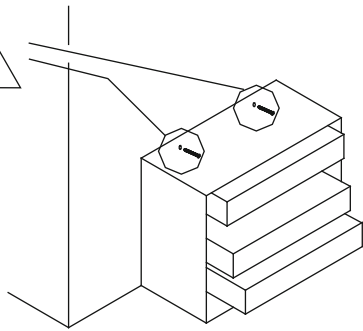
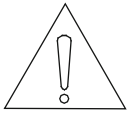


Drill Bit



Tape

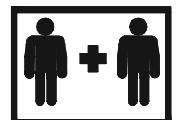
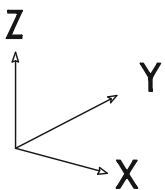
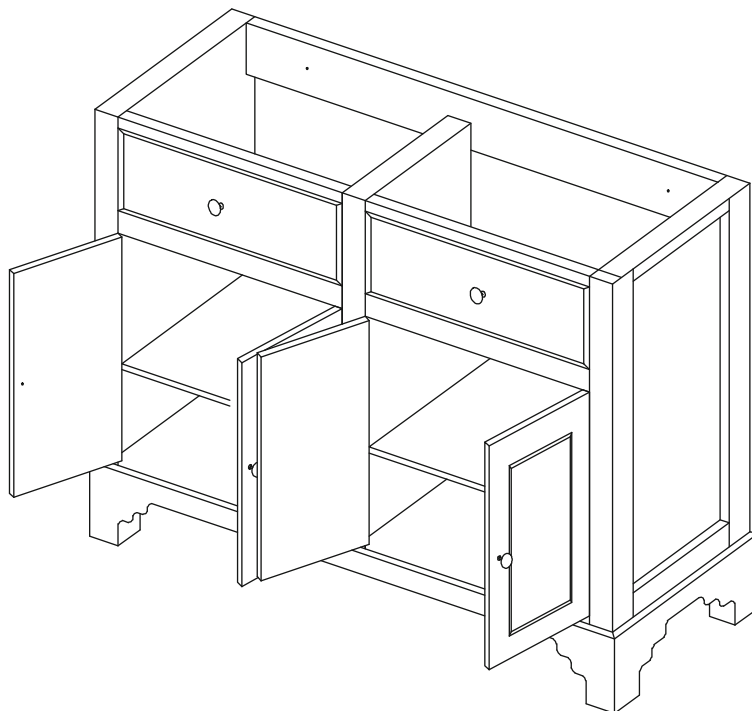
Important information Please read carefully.Keep this information for further reference.
Serious or fatal crushing injuries can occur if furniture is not secured correctly.To prevent furniture from tipping over it must be permanently fixed to the wall.
Fittings for the wall are not included since different wall materials require different types of fittings .
Use fittings suitable for the walls in your home.For advice on suitable fittings,contact your local dealer.



x=1209mm

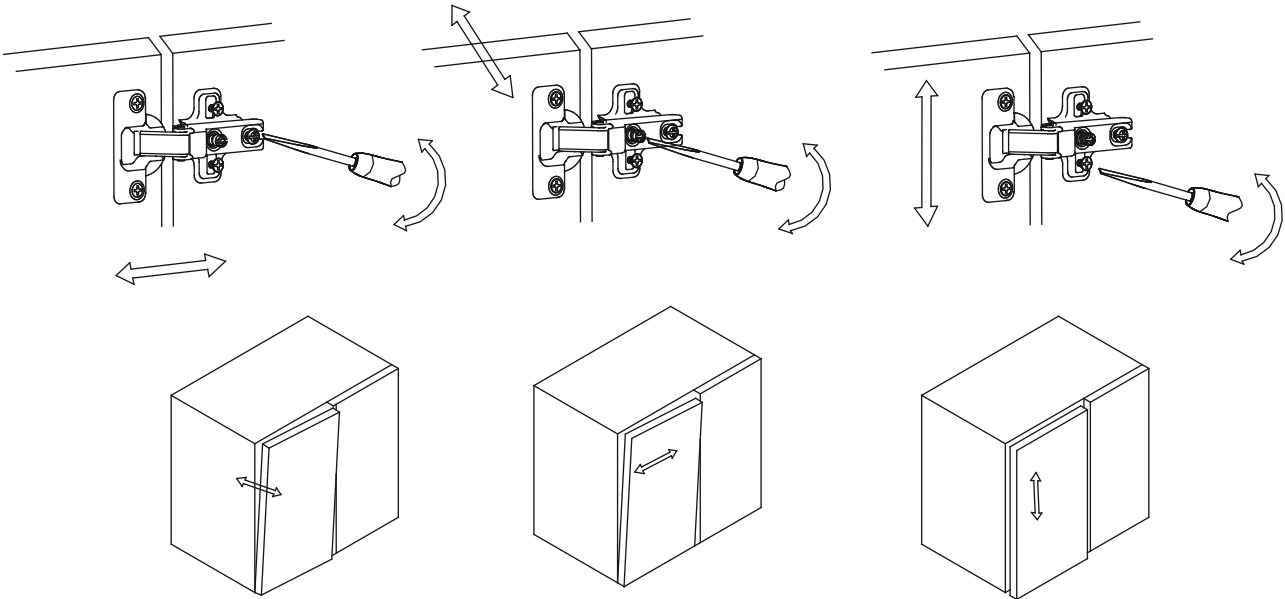
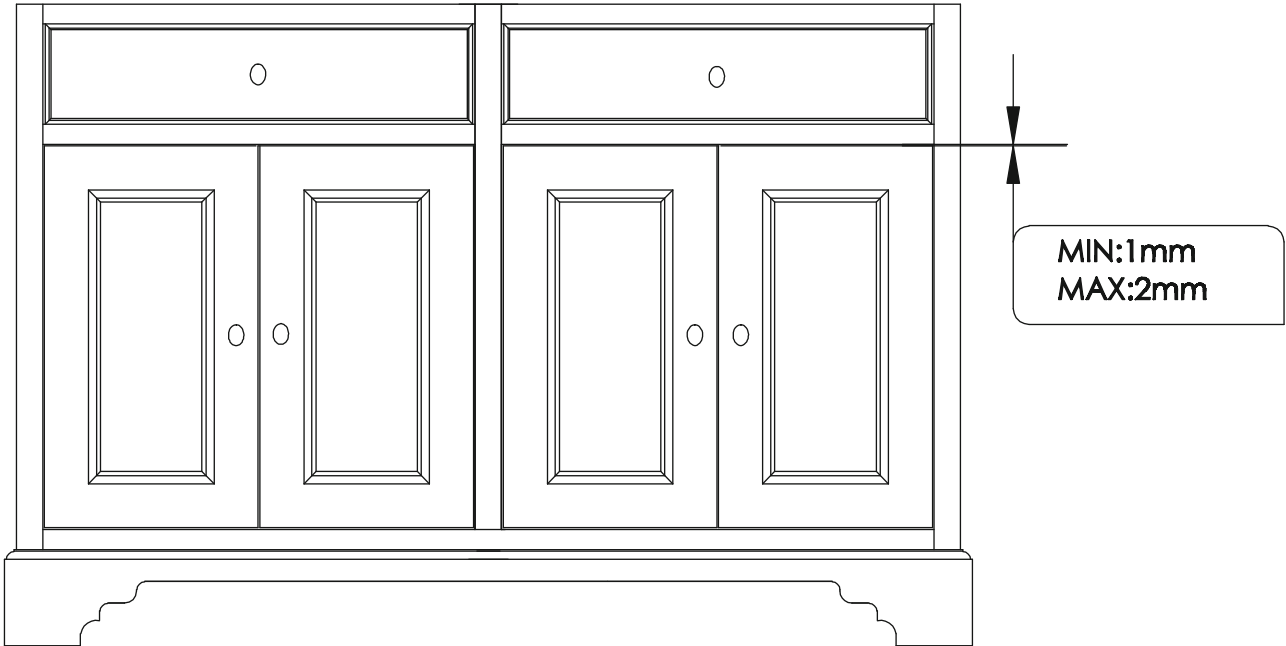
y=465mm

z=800mm

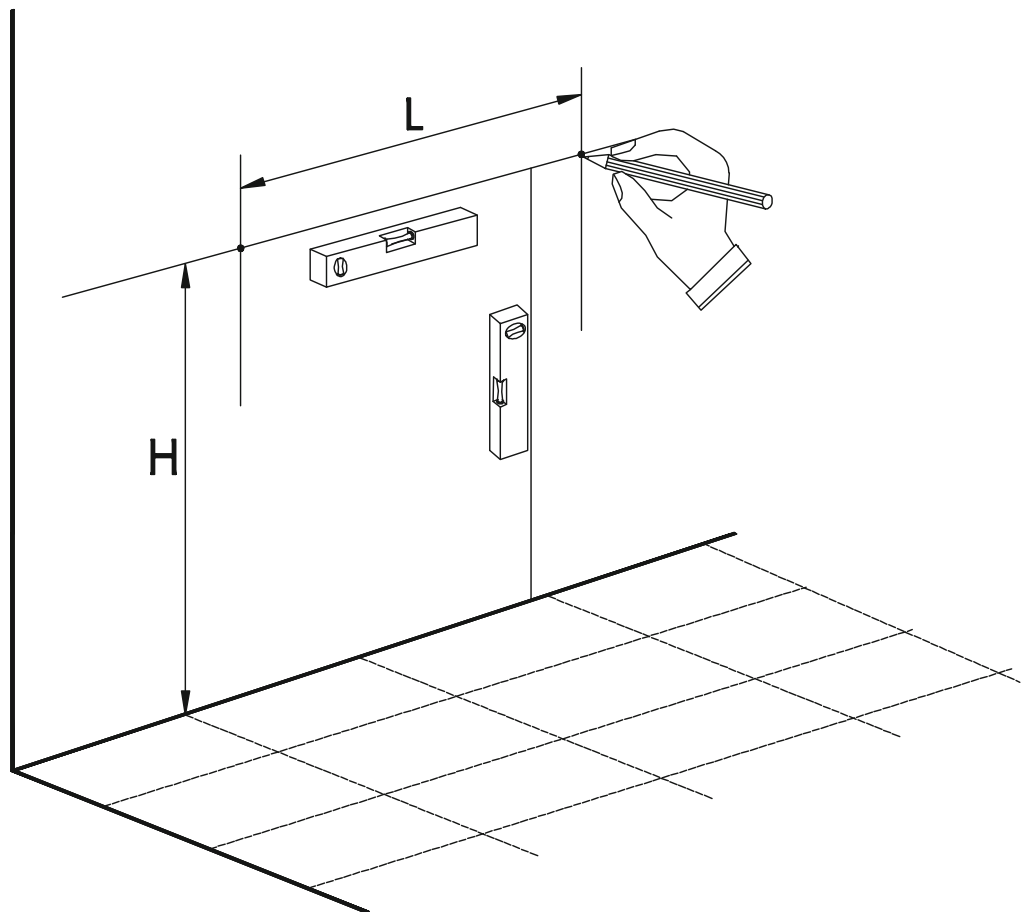
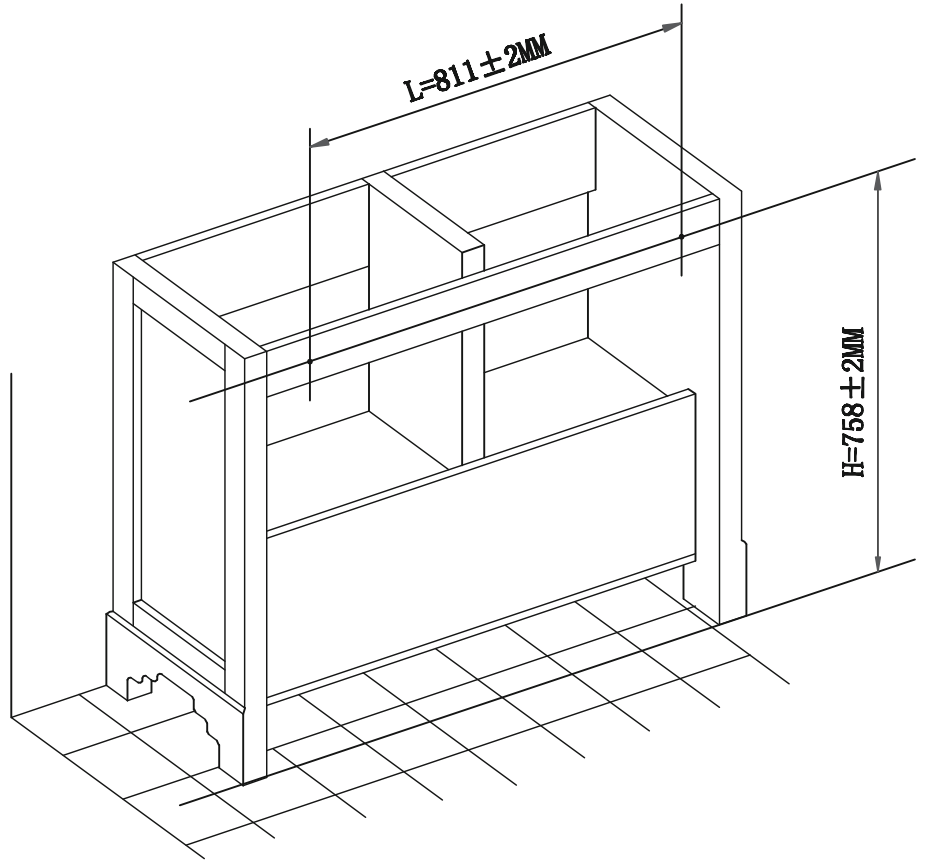
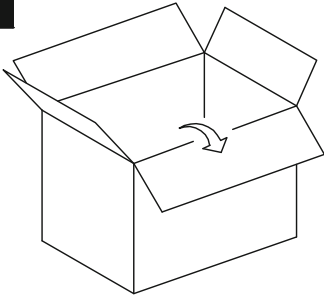


Installation

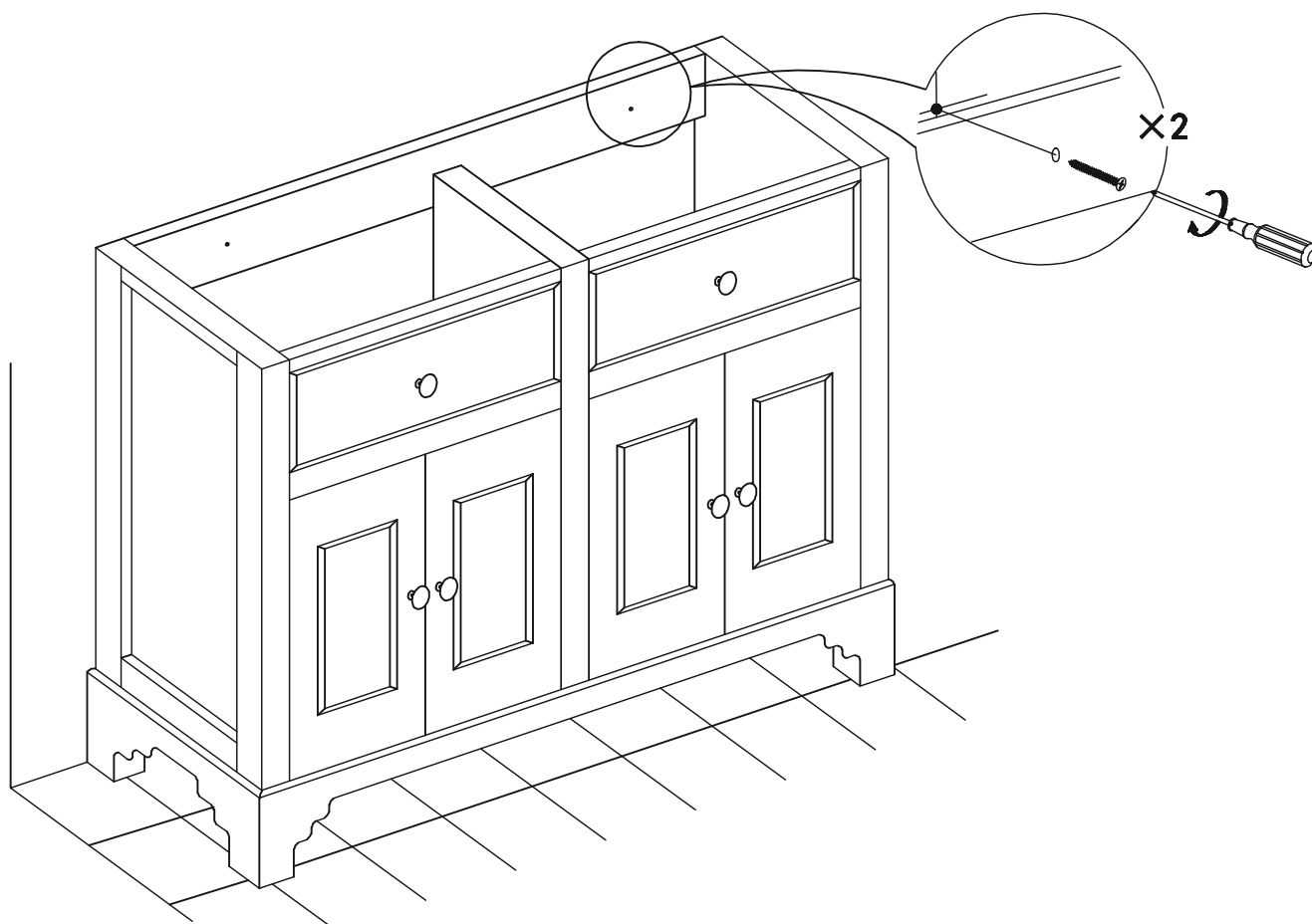
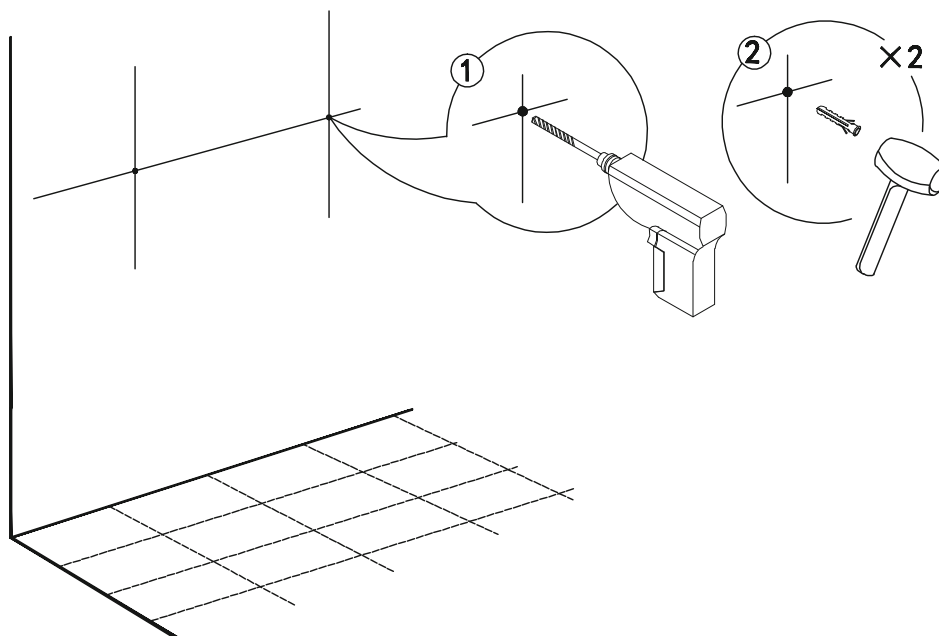
Gap Adjustment



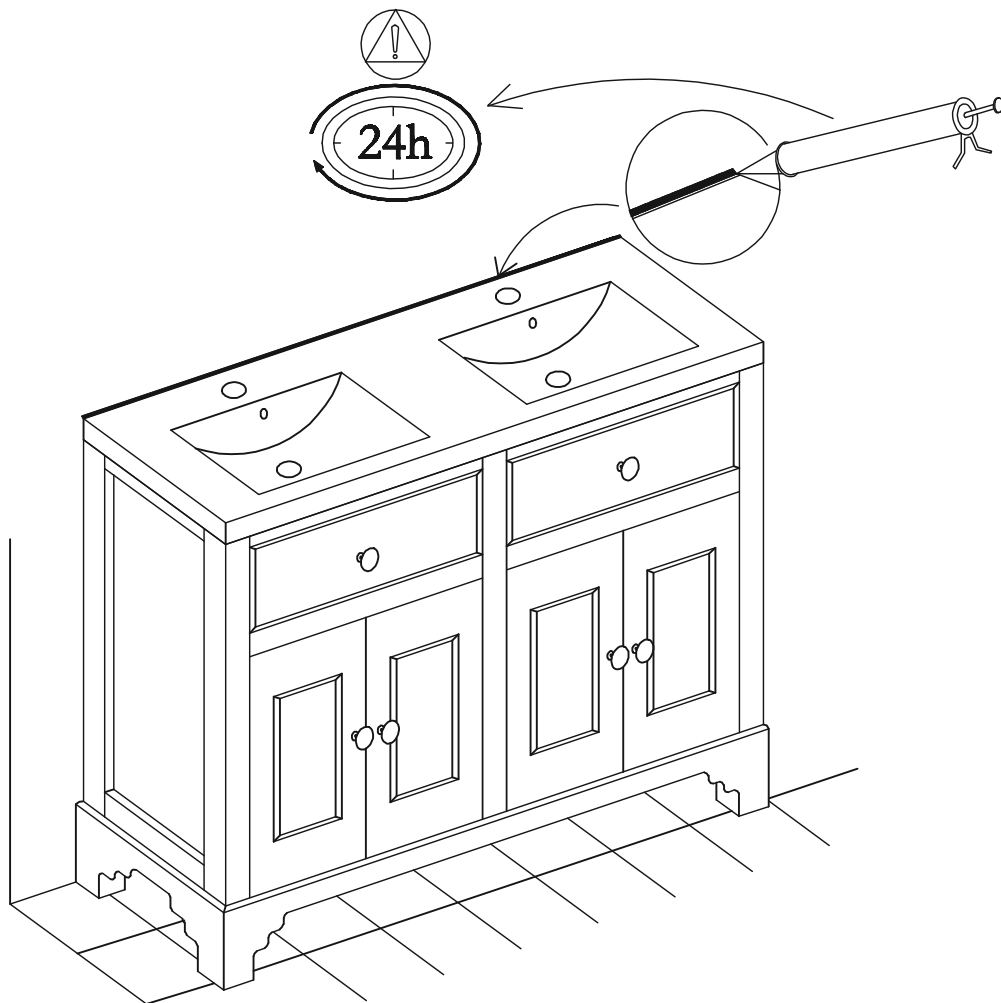
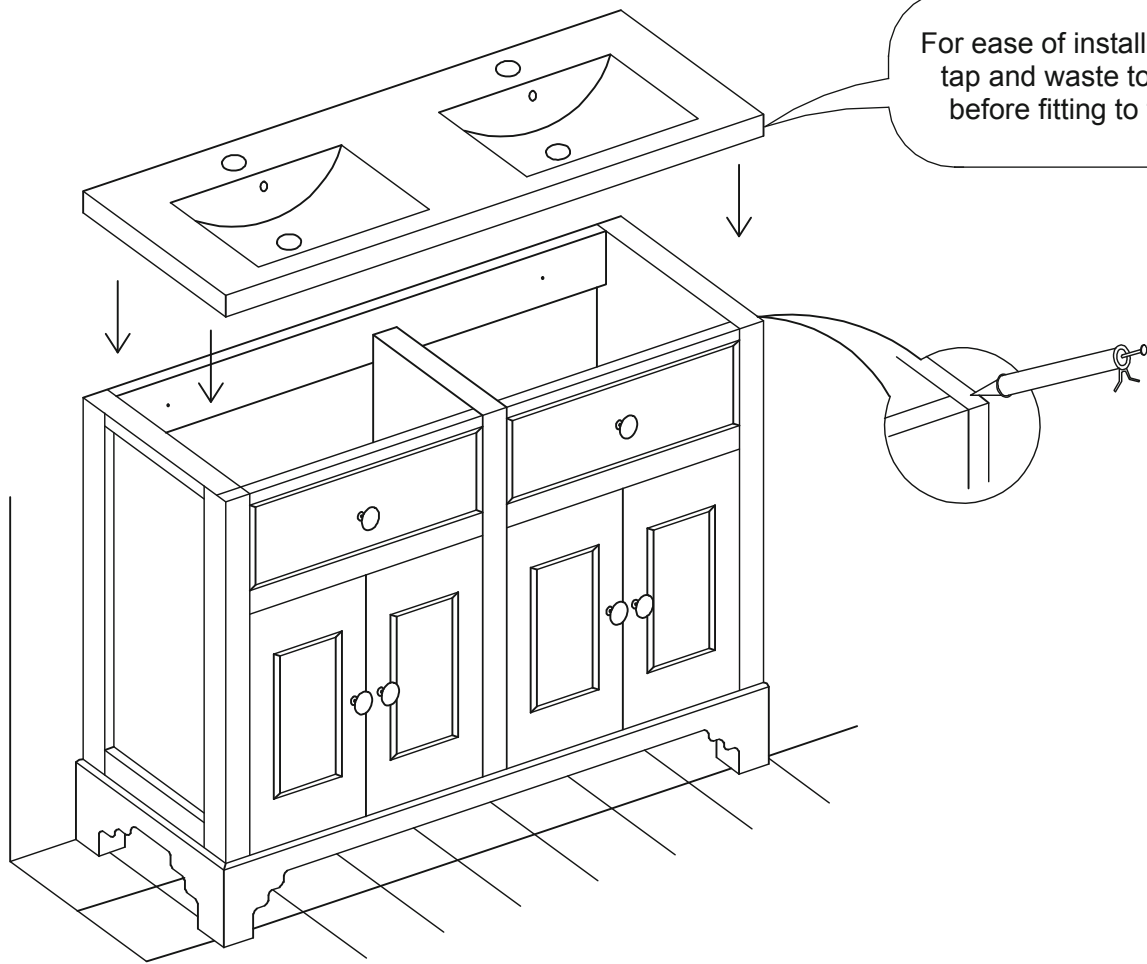
01



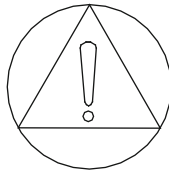
Please note - wall fixings are not supplied
These can be purchased from a local DIY store



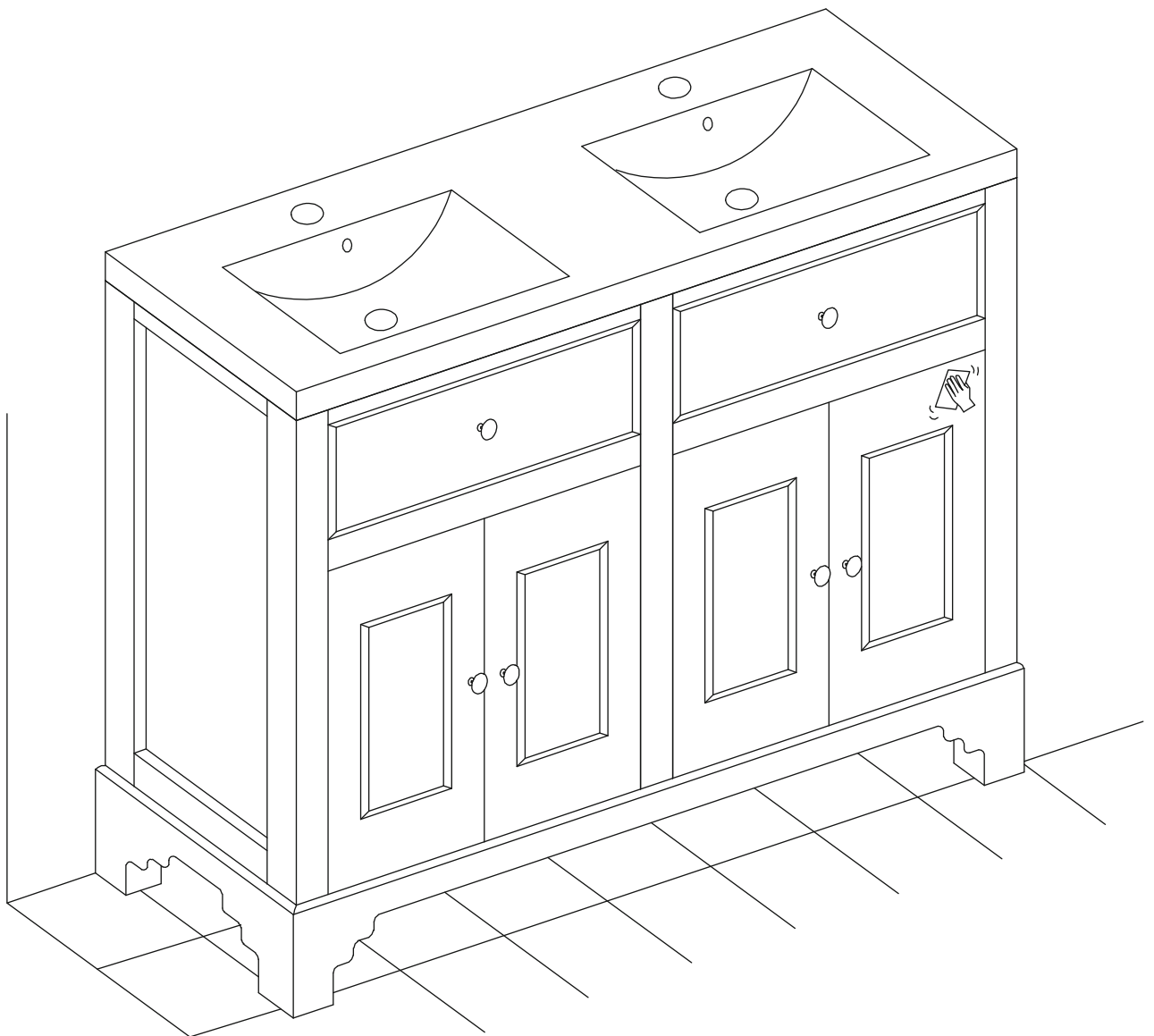
03



Cleaning



- Clean with a soft cloth & warm soapy water only
- Do not use abrasive cleaning agents
- Dry unit with a cloth after use



For more information

- visit betterbathrooms.com
- email customerservices@buyitdirect.co.uk
- call 03303903062
- write to Trident Business Park, Neptune Way, Huddersfield, HD2 1UA

**better
bathrooms**

Part of the BuyItDirect Group