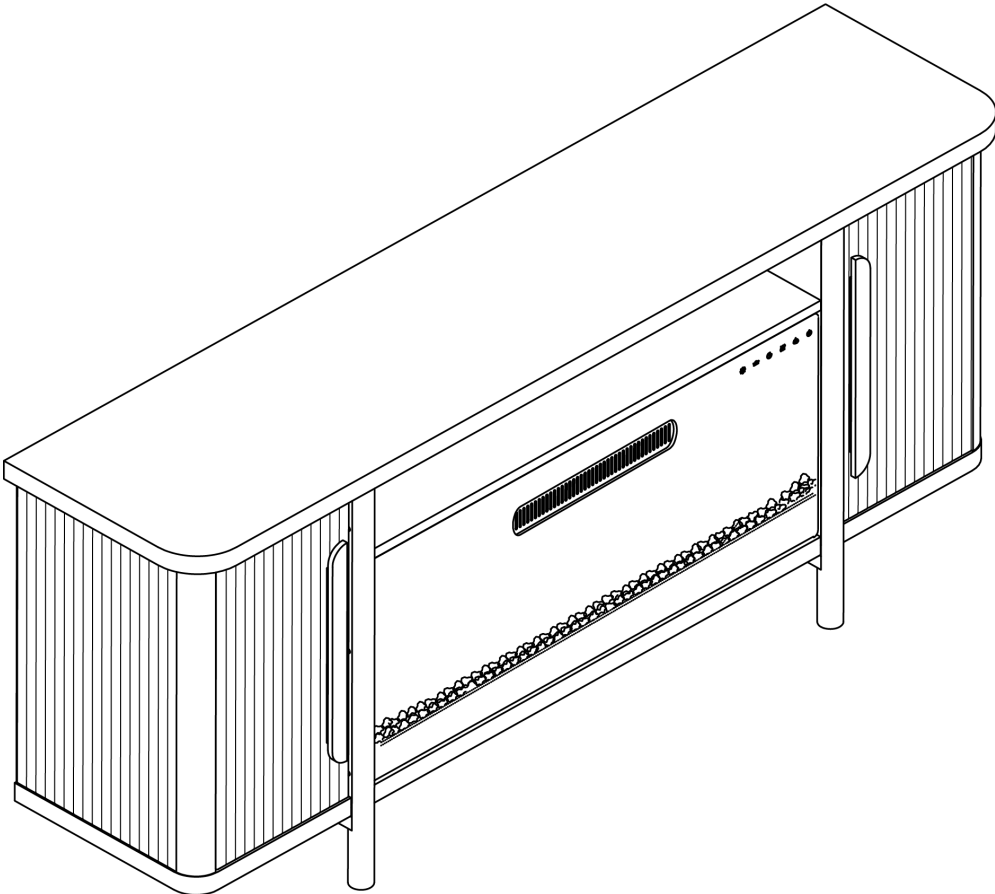



Portman Fireplace Entertainment Center



BELLEZE[®]

FOLLOW US:	CONTACT INFO:	ITEM NO. 014-HG-41894
 @bellezefurniture	support@belleze.com 1-800-682-6376	The instruction booklet contains IMPORTANT safety information. Please read it in full and keep it for future reference.

Scan this QR Code
to view our online tutorial

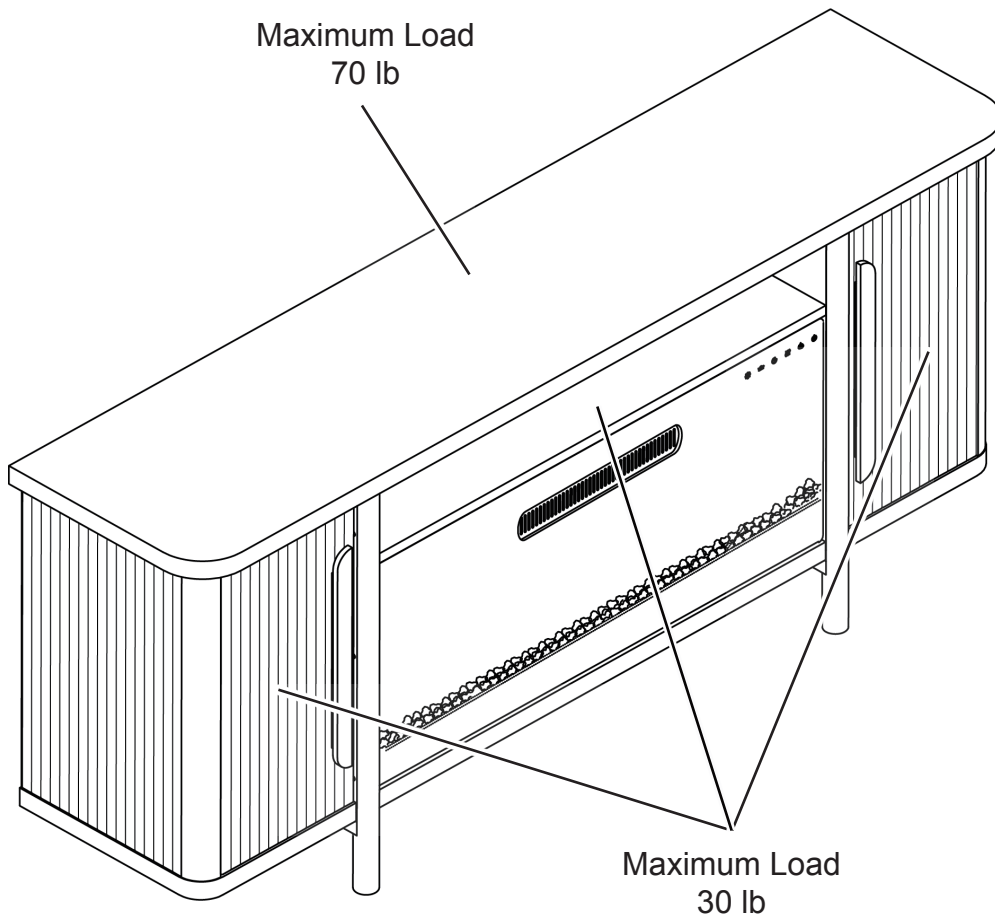


Estimated time for assembly:

120 mins



Weight limitations are as follows:





Assemble the furniture on an empty carton, carpet, or rug to prevent scratches or damage.

For safety, please keep pets and children away from the assembly area.

Ensure the product is fully assembled before use. If you are missing any hardware or products, do not use it until you have restored the missing parts.



This furniture requires 2 people for assembly.

Read this instruction manual prior to assembly to familiarize yourself with the various steps.

Lay out all components and hardware separately on a flat surface and make sure that no parts are missing or damaged before assembly. Do not destroy or discard any packaging until you are certain that you have all the necessary parts for assembly.

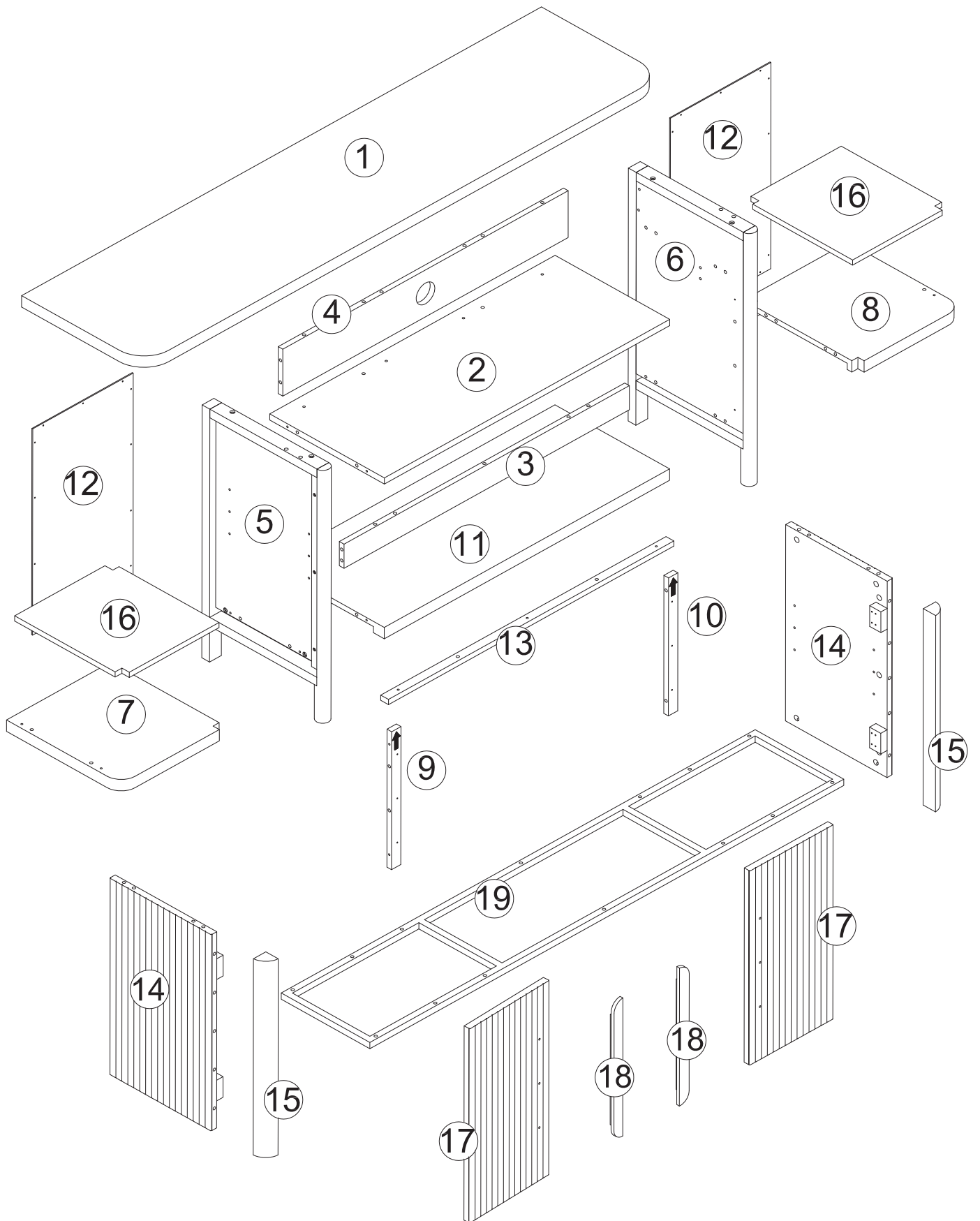
Hand tight all hardware and careful not to over tighten to avoid damaging the product.

CAUTION

There are small components used in the construction of this product. Loose items should be kept away from pets and children to avoid a choking hazard.

Keep all plastic bags and packaging film away from pets and children to avoid suffocation.

PACKAGE CONTENTS



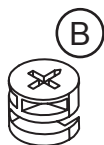
PACKAGE CONTENTS

CODE	DESCRIPTION	QTY
1	Top Panel	1
2	Center Panel	1
3	Center Crossbar	1
4	Center Back Panel	1
5	Left Leg Panel	1
6	Right Leg Panel	1
7	Left Bottom Panel	1
8	Right Bottom Panel	1
9	Left Surround Panel	1
10	Right Surround Panel	1
11	Center Bottom Panel	1
12	Side Back Panel	2
13	Top Surround Panel	1
14	Side Panel	2
15	Rounded Corner Block	2
16	Storage Shelf Panel	2
17	Cabinet Door	2
18	Door Handle	2
19	Metal Frame	1

PACKAGE CONTENTS



35x + 3x



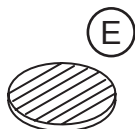
35x + 3x



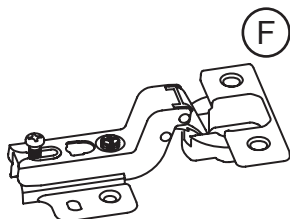
34x + 3x



10x + 1x



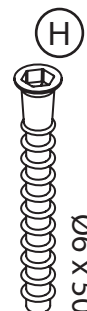
35x + 3x



4x



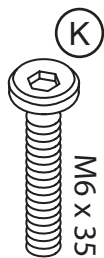
24x + 2x



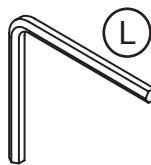
8x



14x + 1x



2x



1x

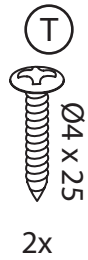
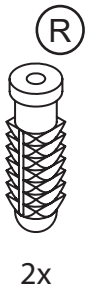
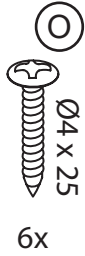


8x



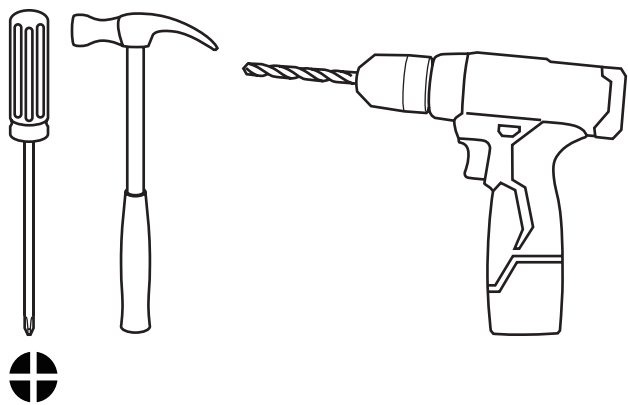
Install all hardware perpendicular to the opening.

PACKAGE CONTENTS



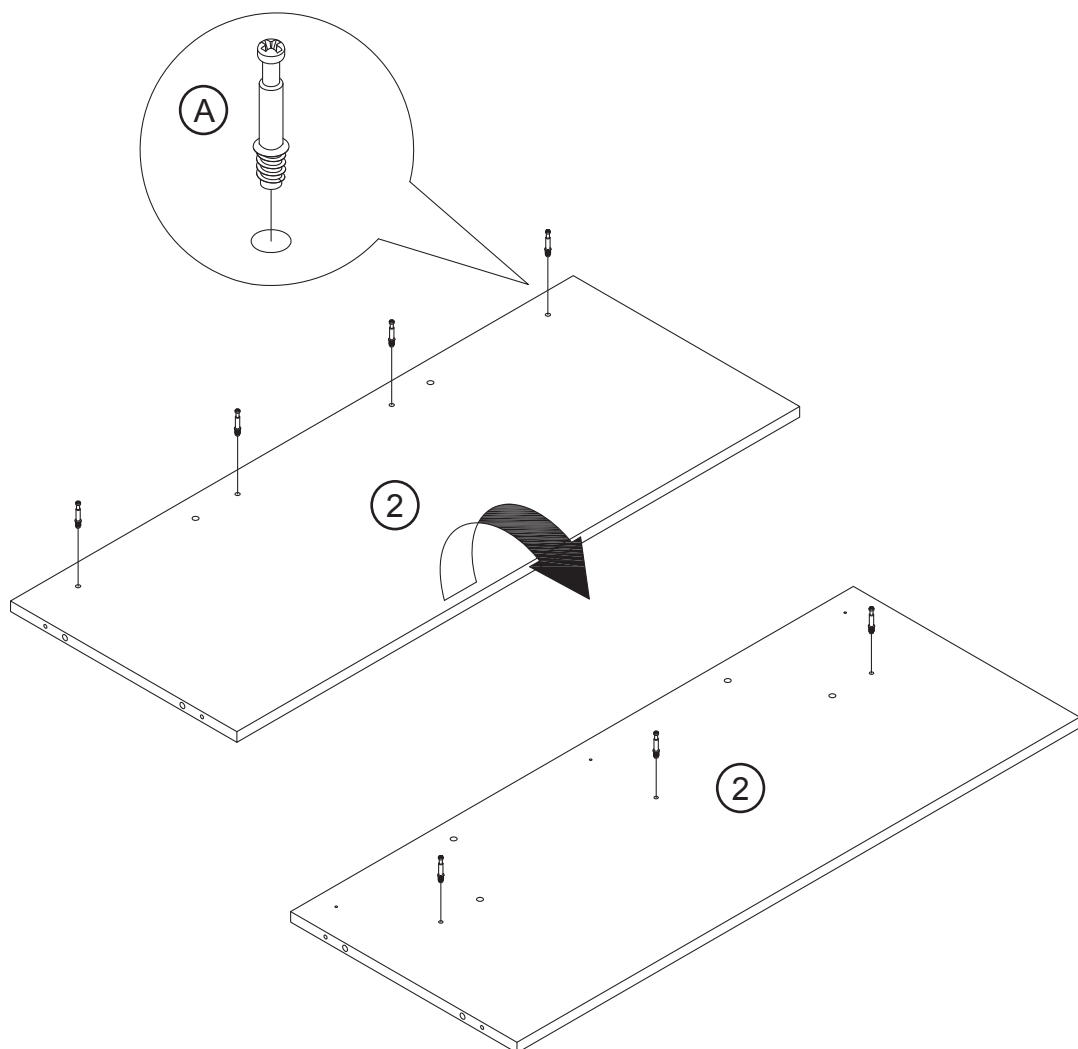
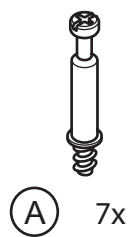
Install all hardware perpendicular to the opening.

Required tools for assembly (Not included)



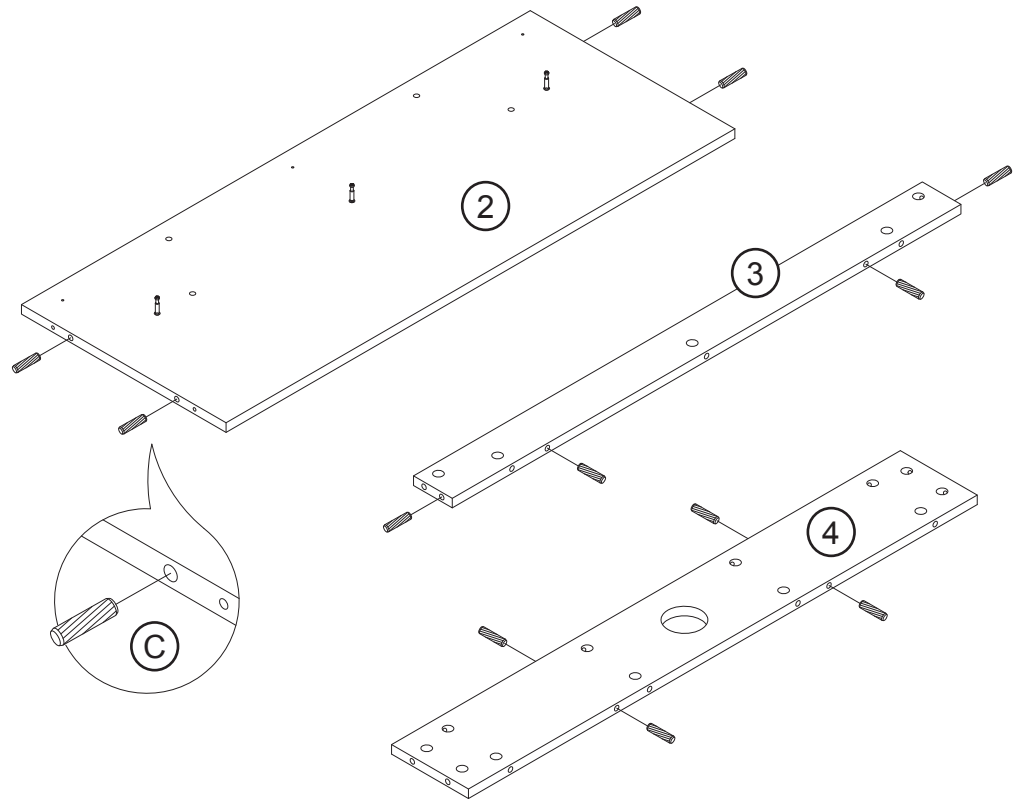
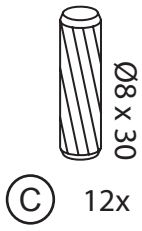
1

Attach cam bolts both sides of the center panel (2).



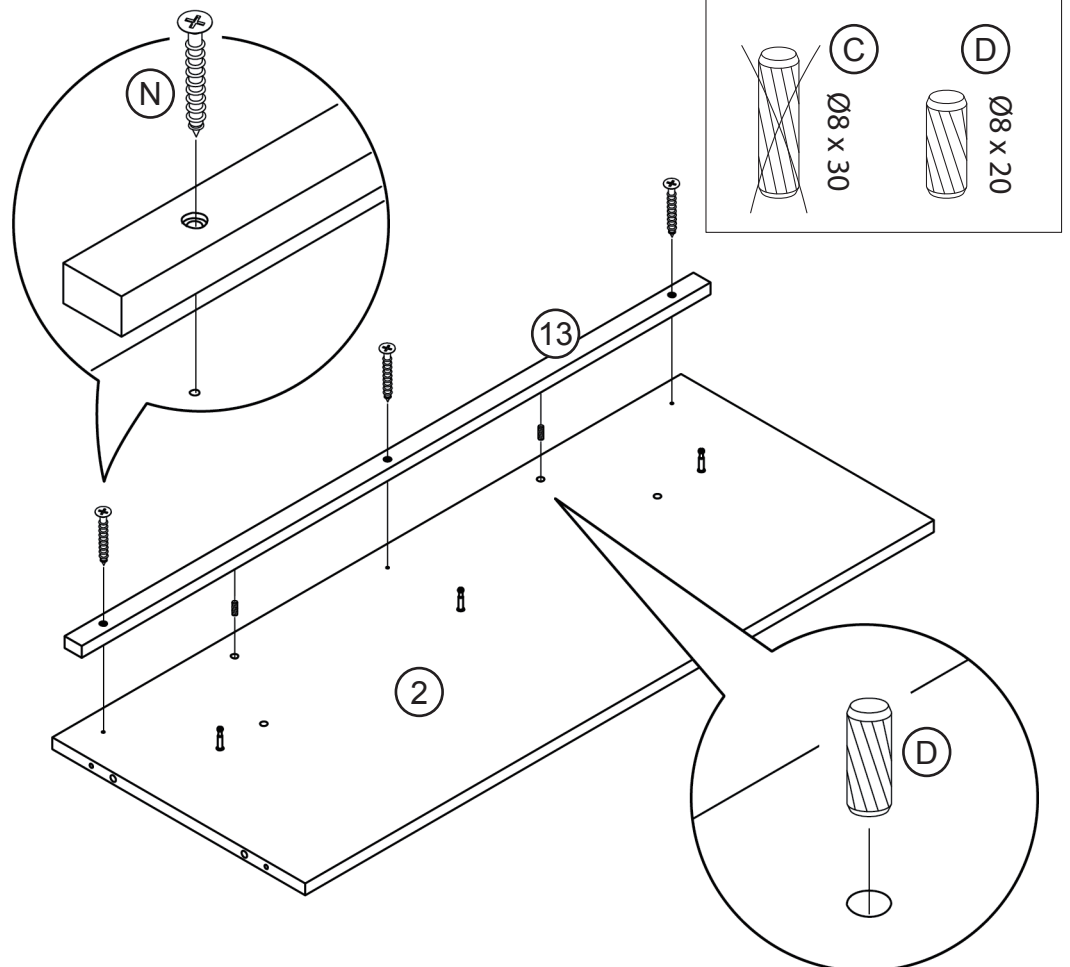
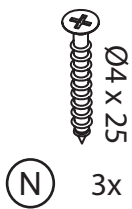
2

Insert wood dowels to the center panel (2), center crossbar (3), and center back panel (4).



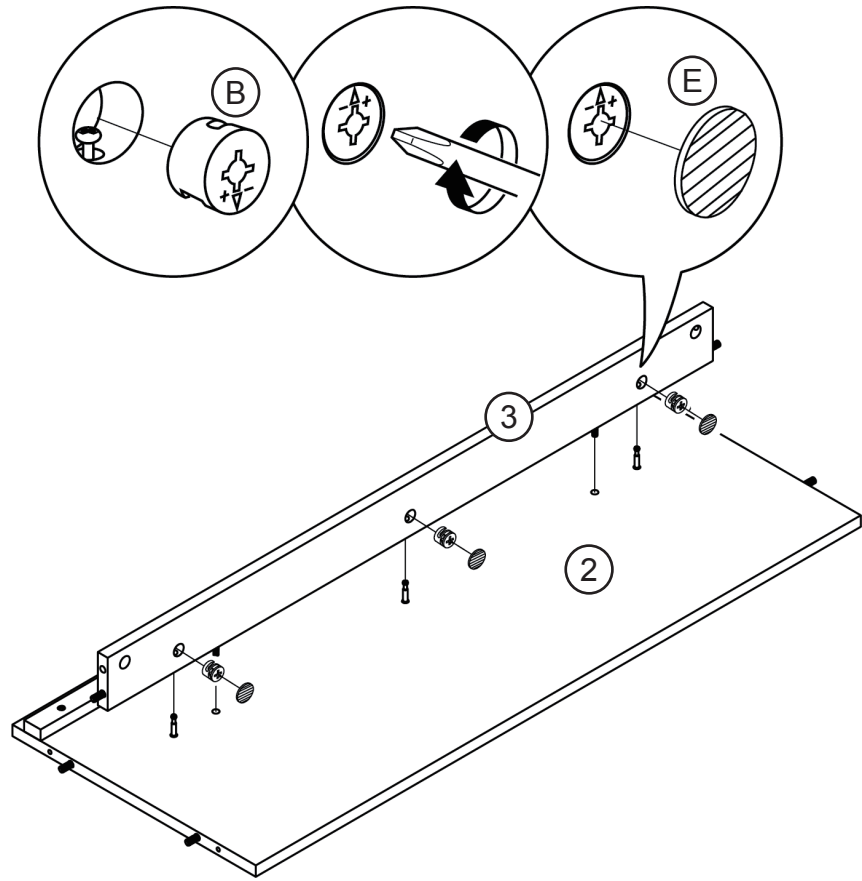
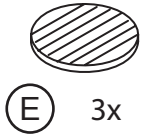
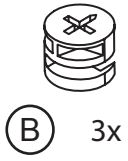
3

Attach top surround panel (13) to the center panel (2).



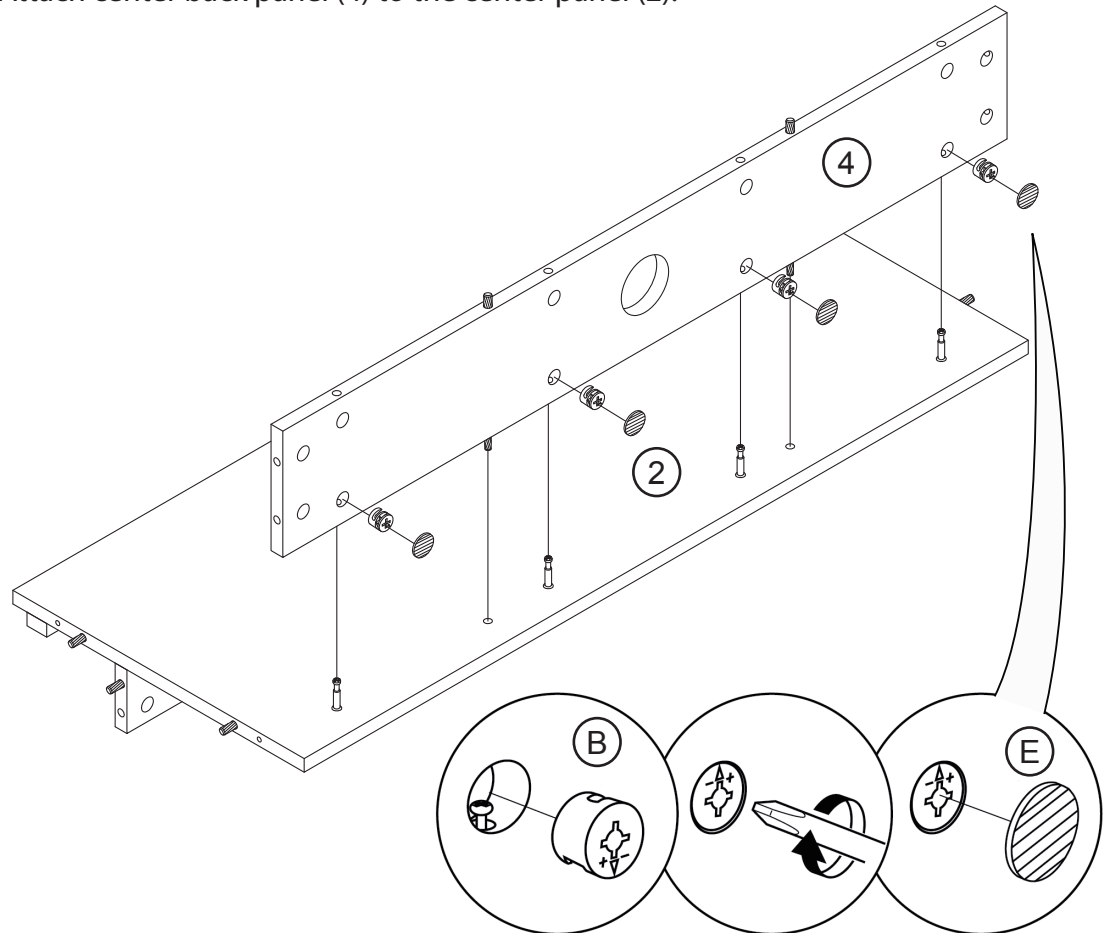
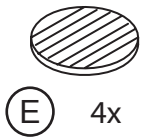
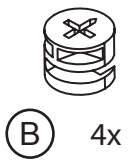
4

Attach center crossbar (3) to the center panel (2).



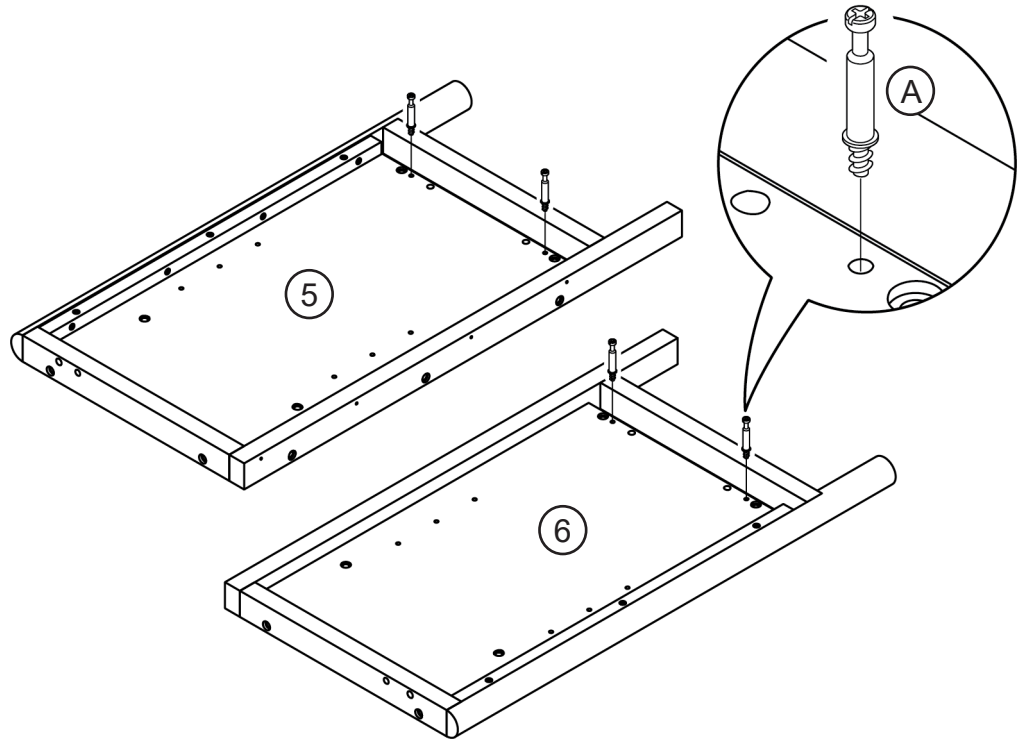
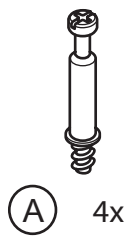
5

Attach center back panel (4) to the center panel (2).



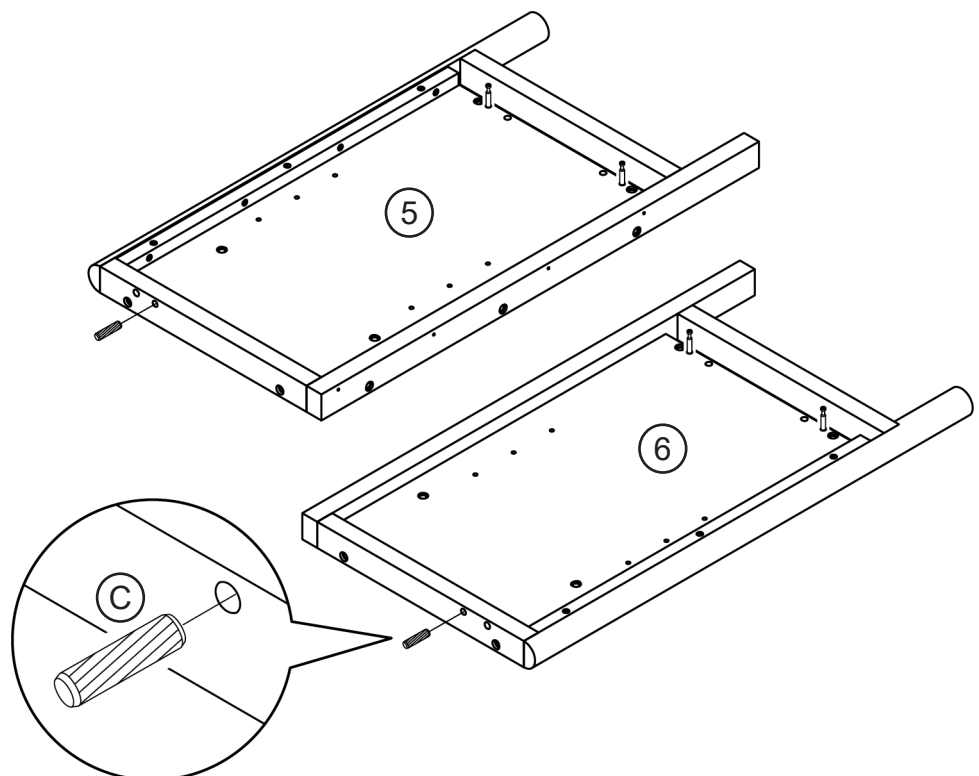
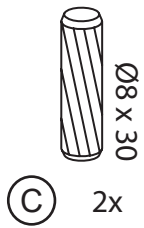
6

Attach cam bolts to the leg panels (5, 6).



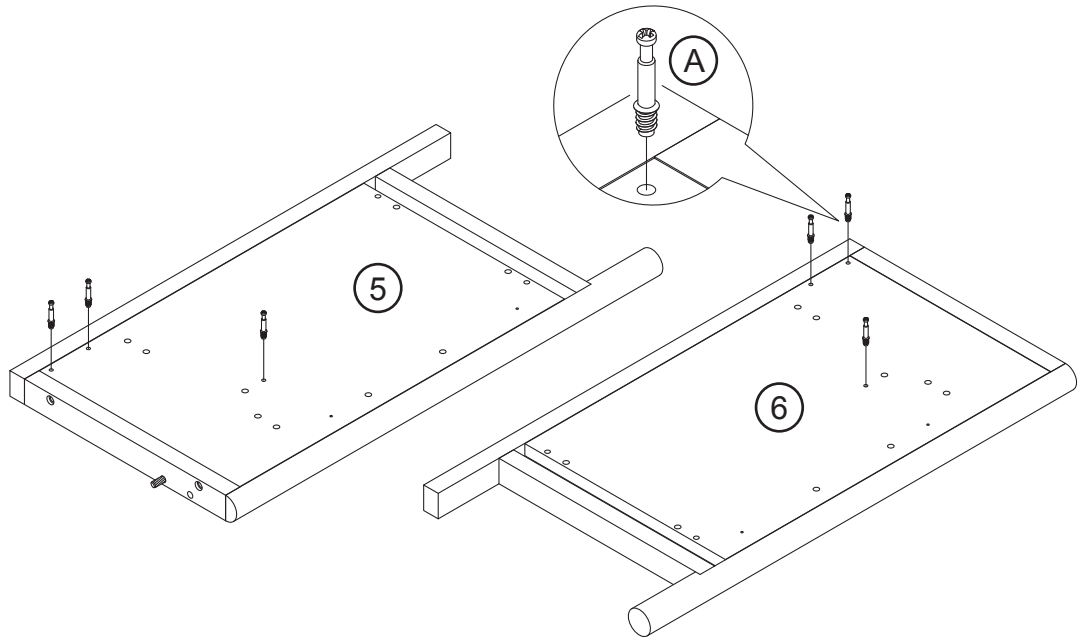
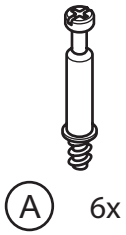
7

Insert wood dowels on top of the leg panels (5, 6).



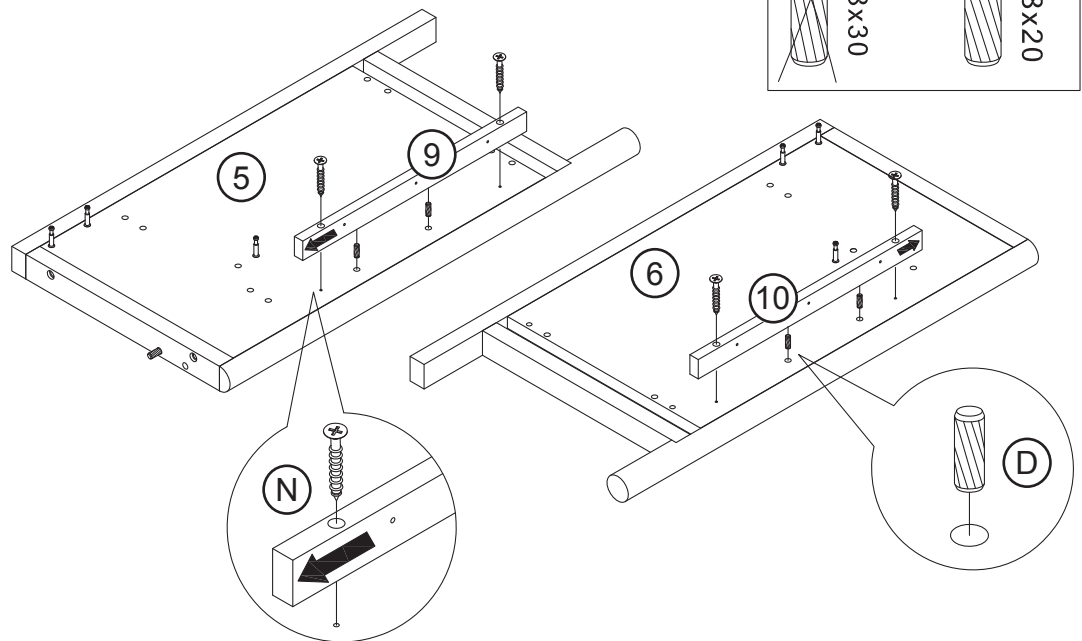
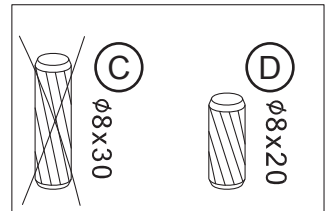
8

Attach cam bolts to the other side of the leg panel (5, 6).



9

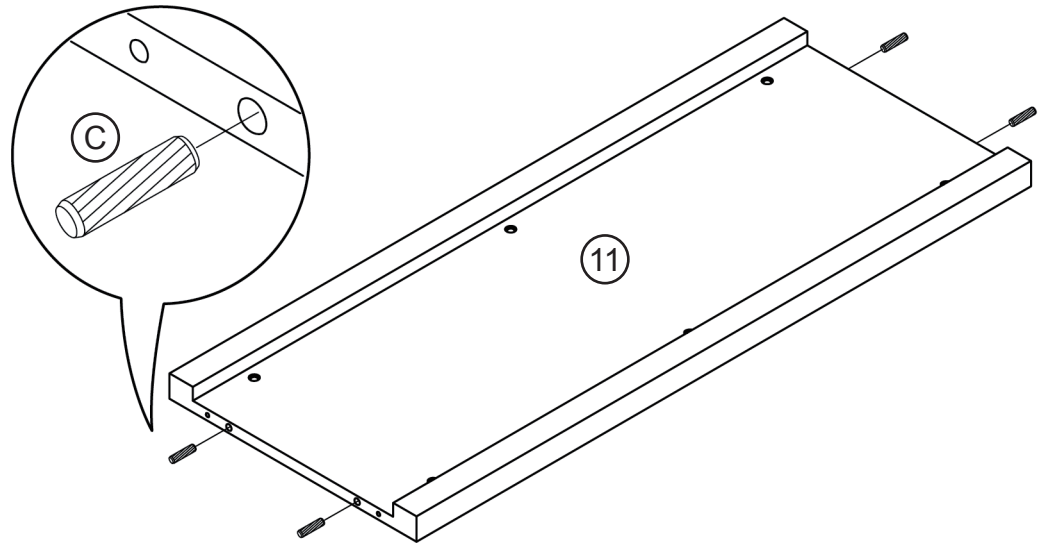
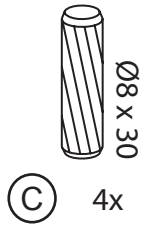
Attach surround panels (9, 10) to the leg panels (5, 6).



Please note the direction of the surround panel (9,10).

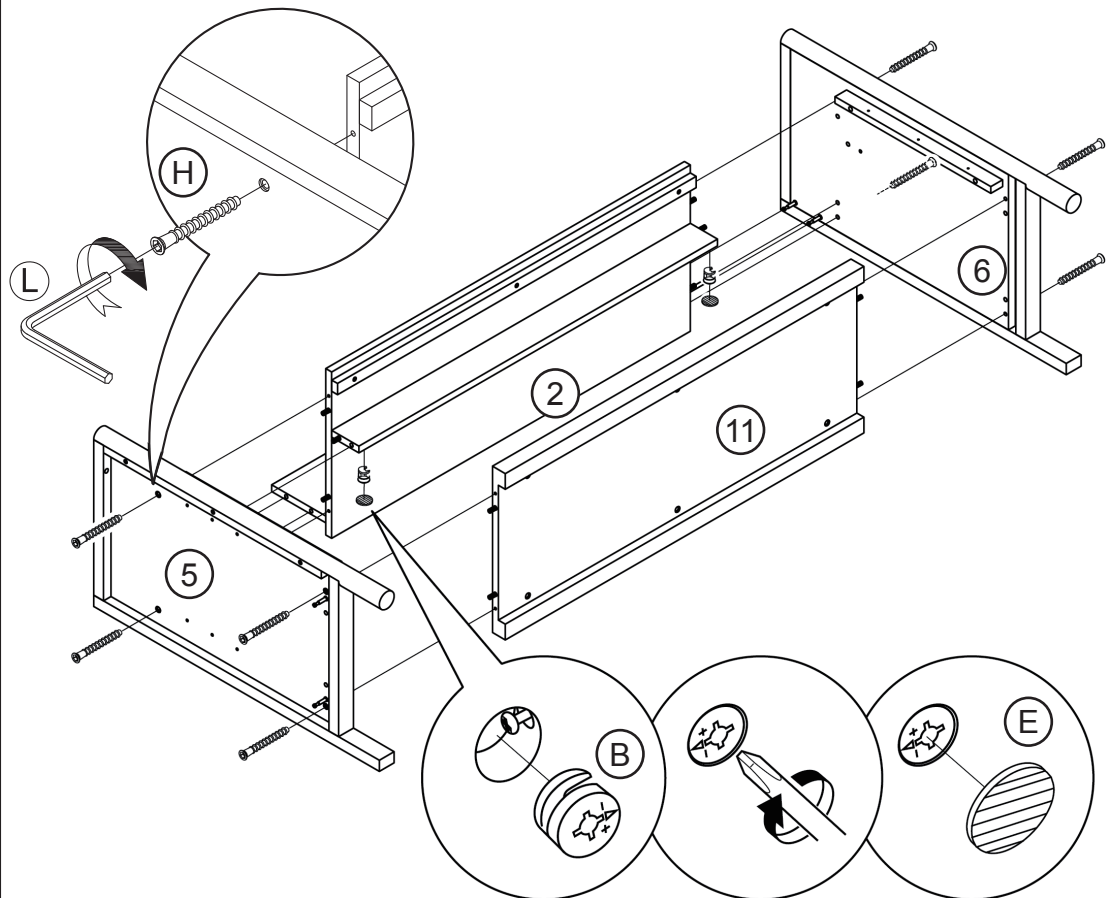
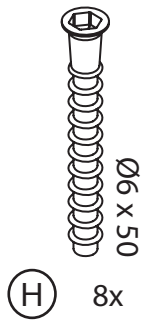
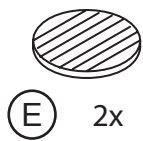
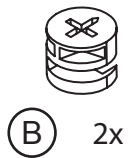
10

Insert wood dowels to the center bottom panel (11).



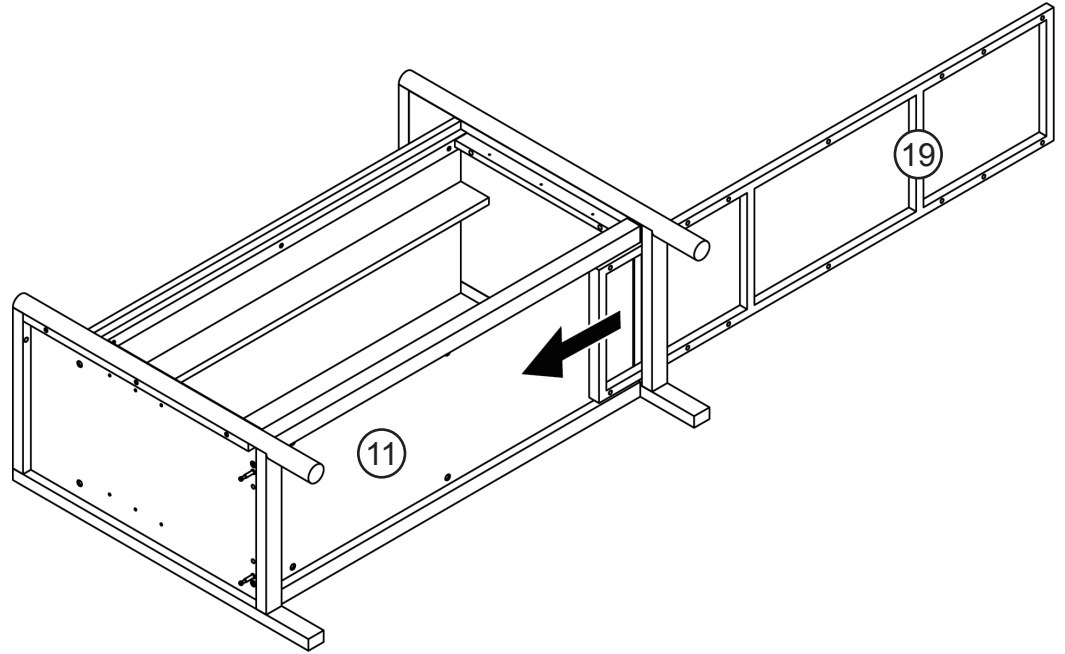
11

Assemble the center panel (2) and the center bottom panel (11) between the leg panels (5, 6).



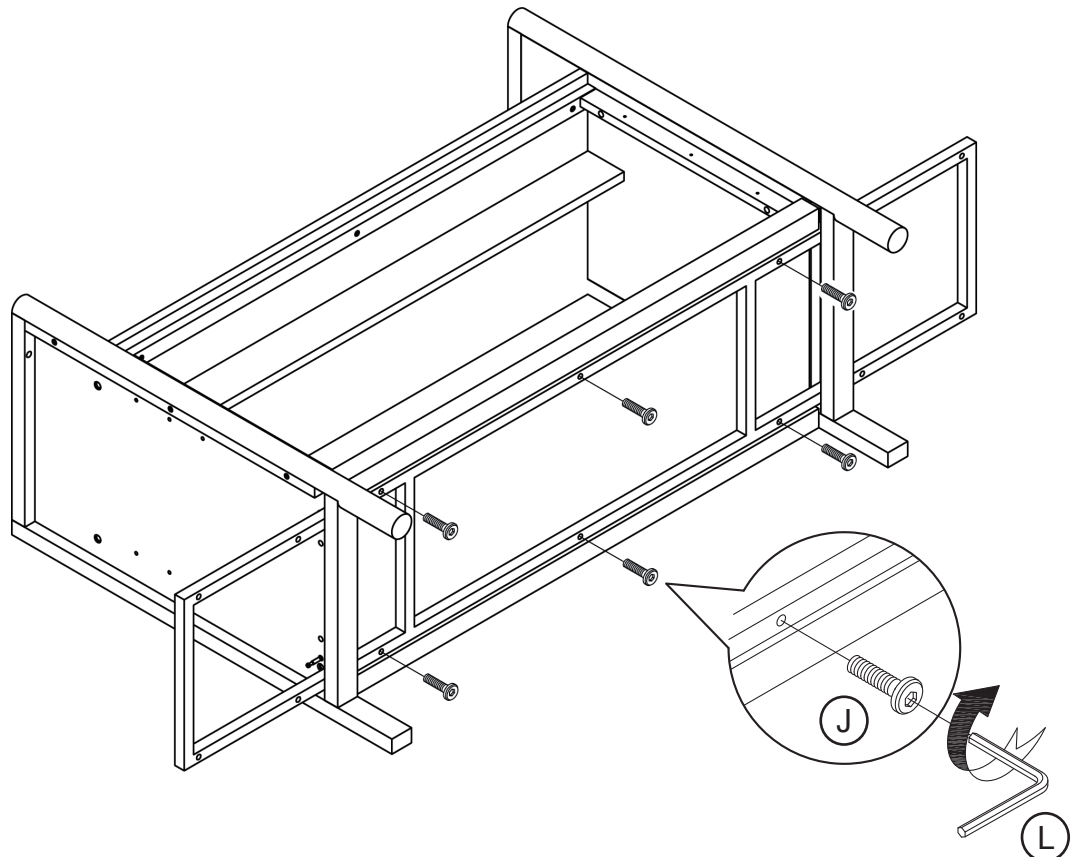
12

Slide the metal frame (19) under the center bottom panel (11) through the leg panels.



13

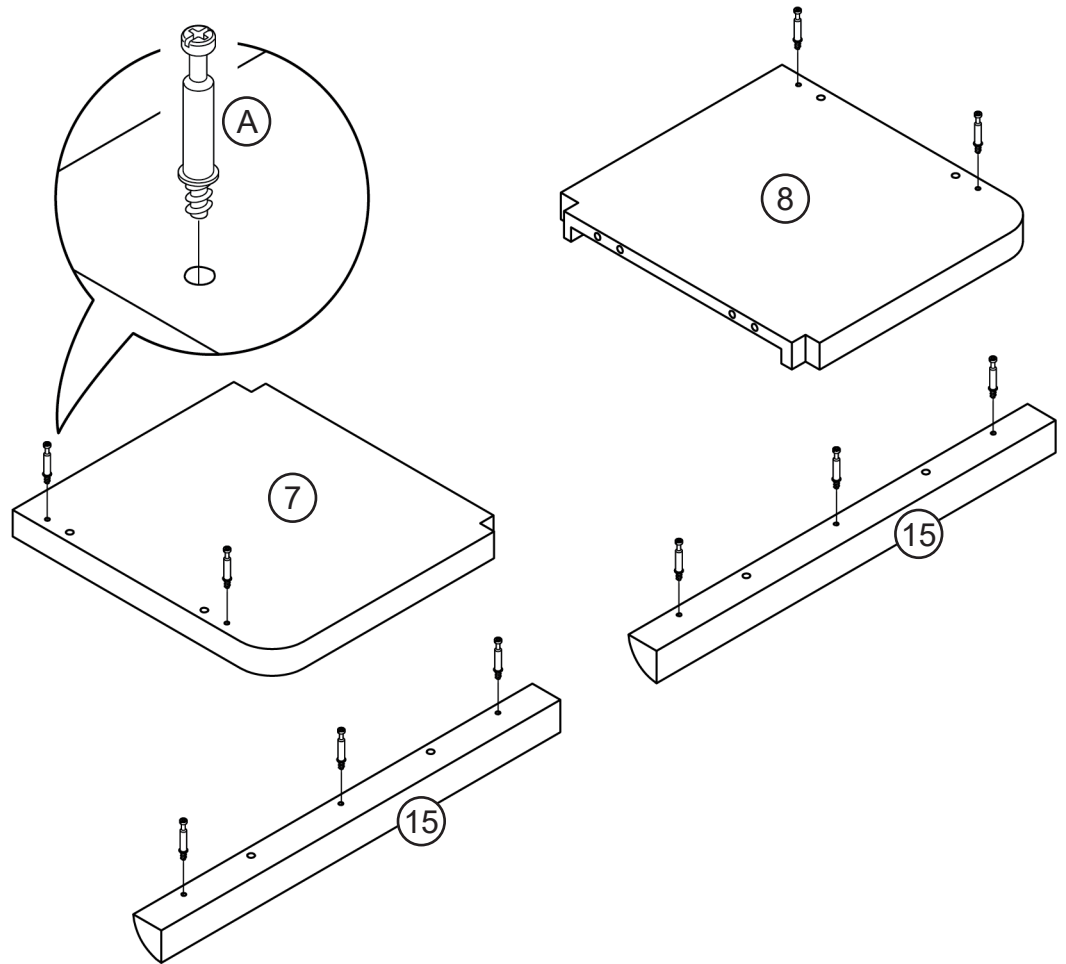
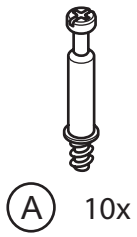
Secure the metal frame to the center bottom panel.



Leave bolts 60% tightened.

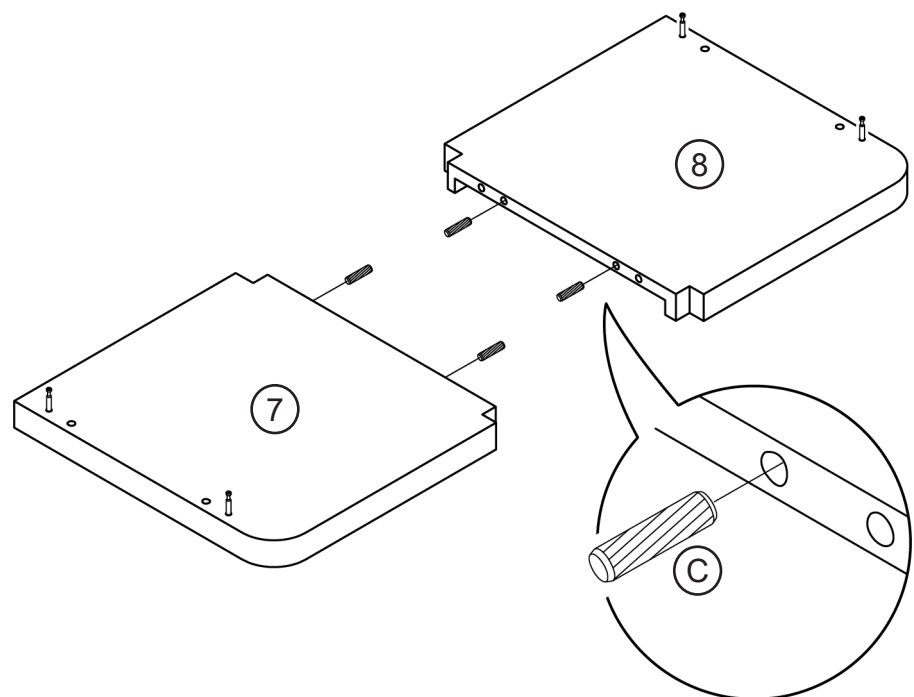
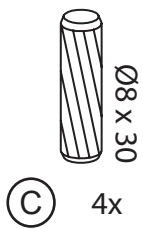
14

Attach cam bolts to the left and right bottom panel (7, 8) and rounded corner blocks (15).



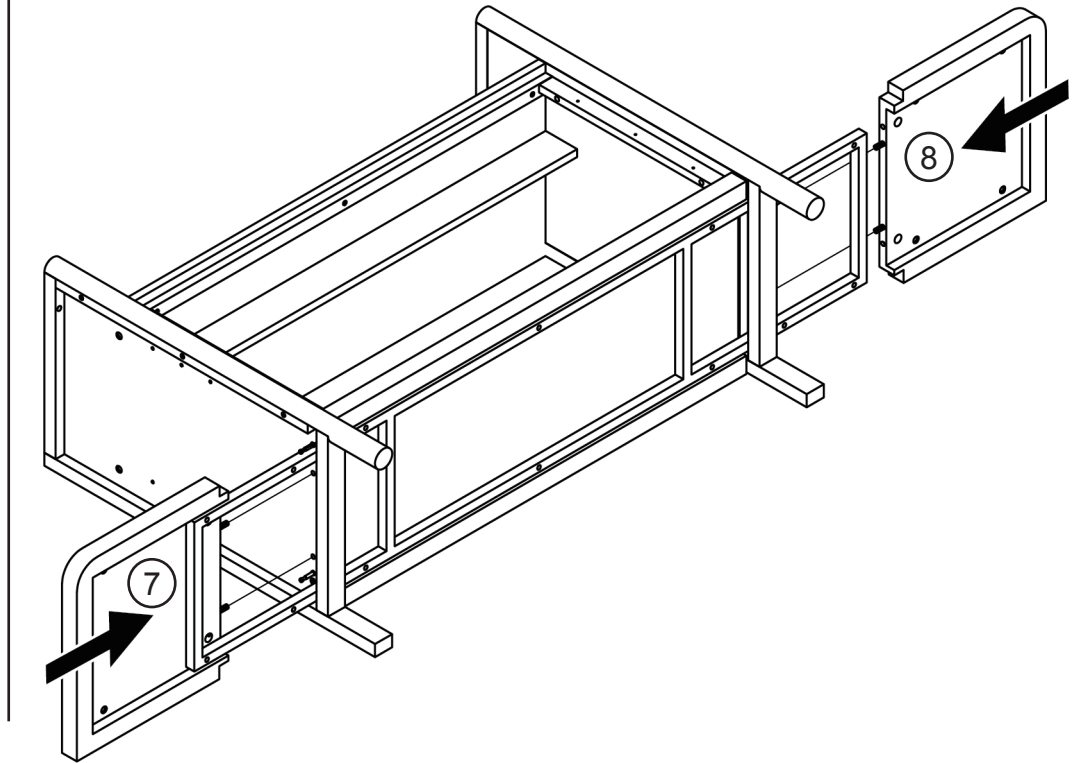
15

Insert wood dowels to the left and right bottom panels (7, 8).



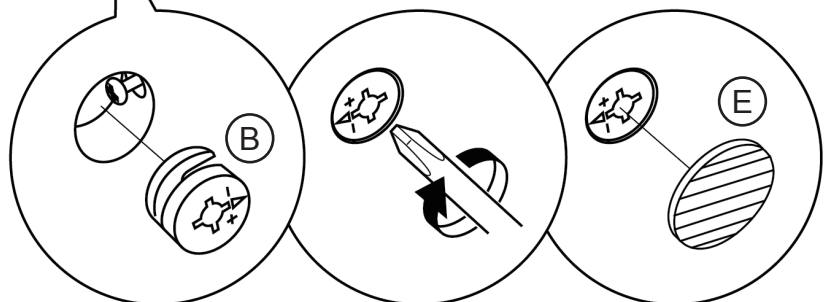
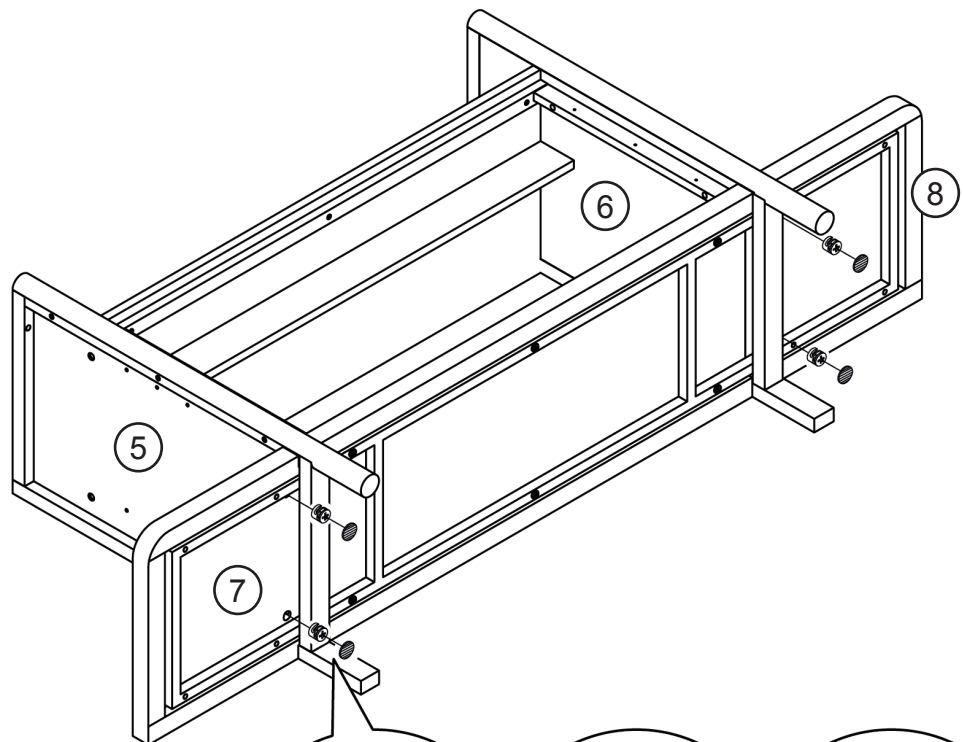
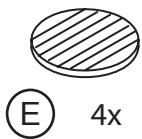
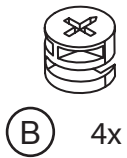
16

Slide the left and right bottom (7, 8) panels to the metal frame.



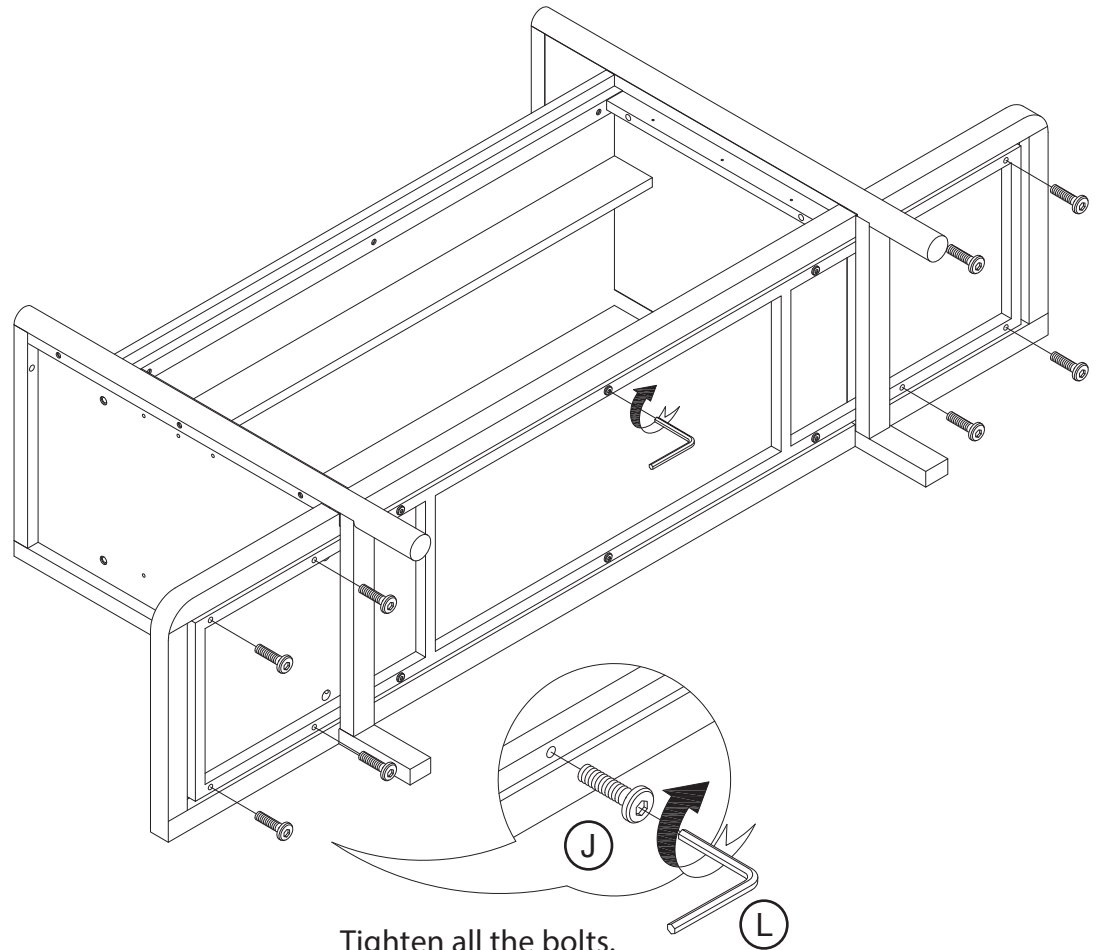
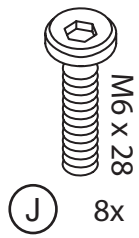
17

Secure the side bottom panels (7, 8) to the leg panels (5, 6).



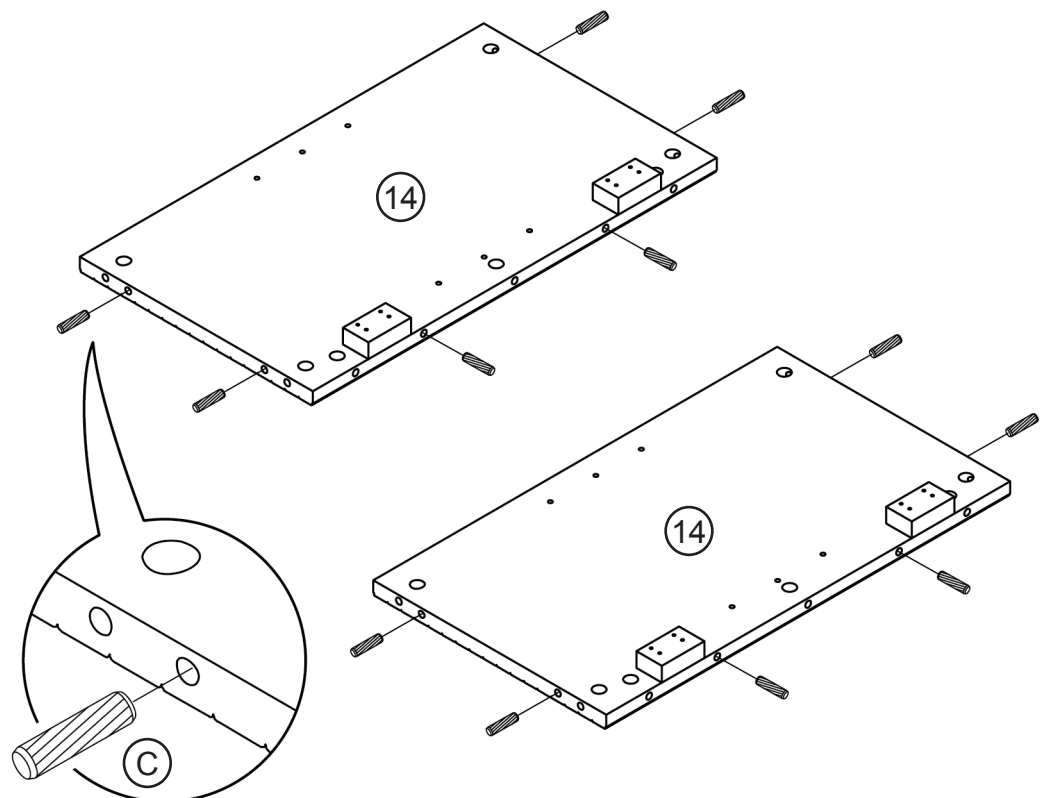
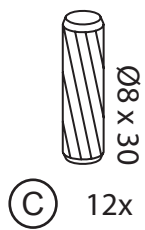
18

Secure the side bottom panels to the metal frame.



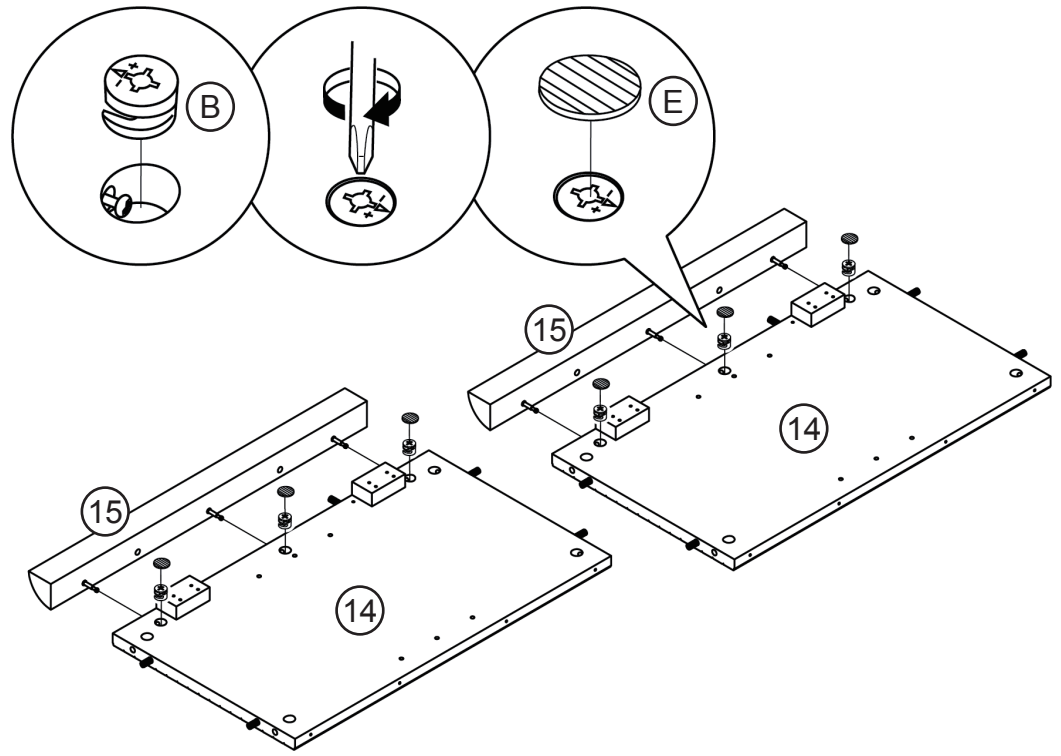
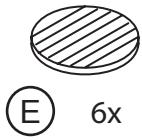
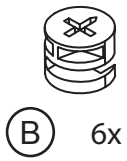
19

Insert wood dowels to the side panels (14).



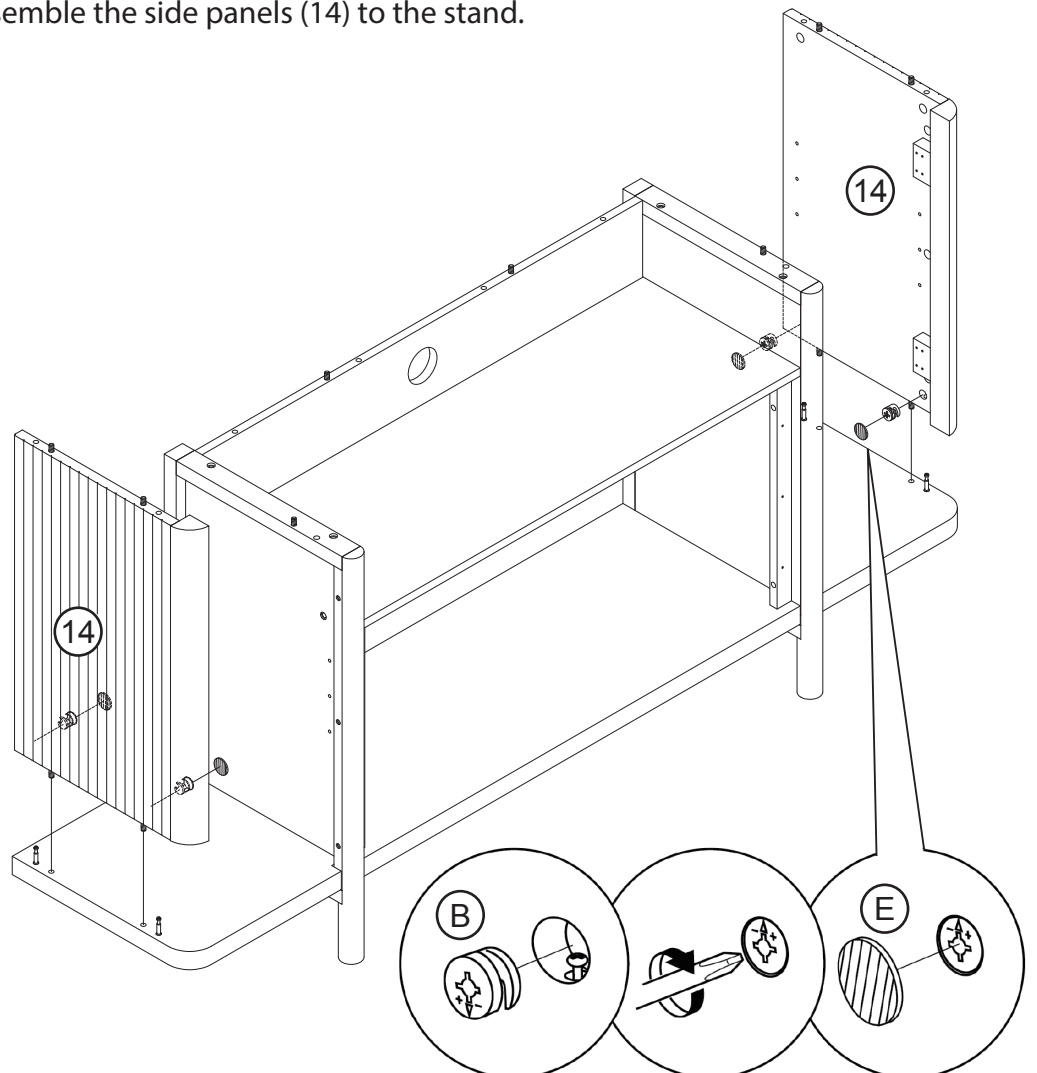
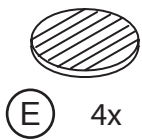
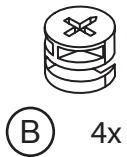
20

Attach the rounded corner blocks (15) to the side panels (14).



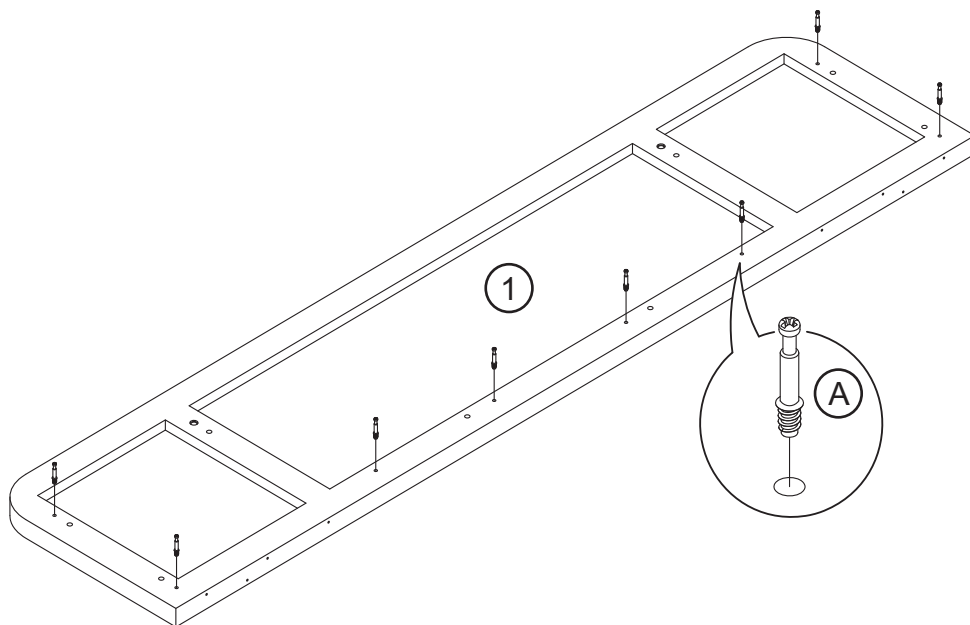
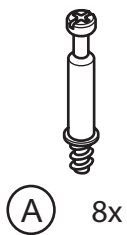
21

Assemble the side panels (14) to the stand.



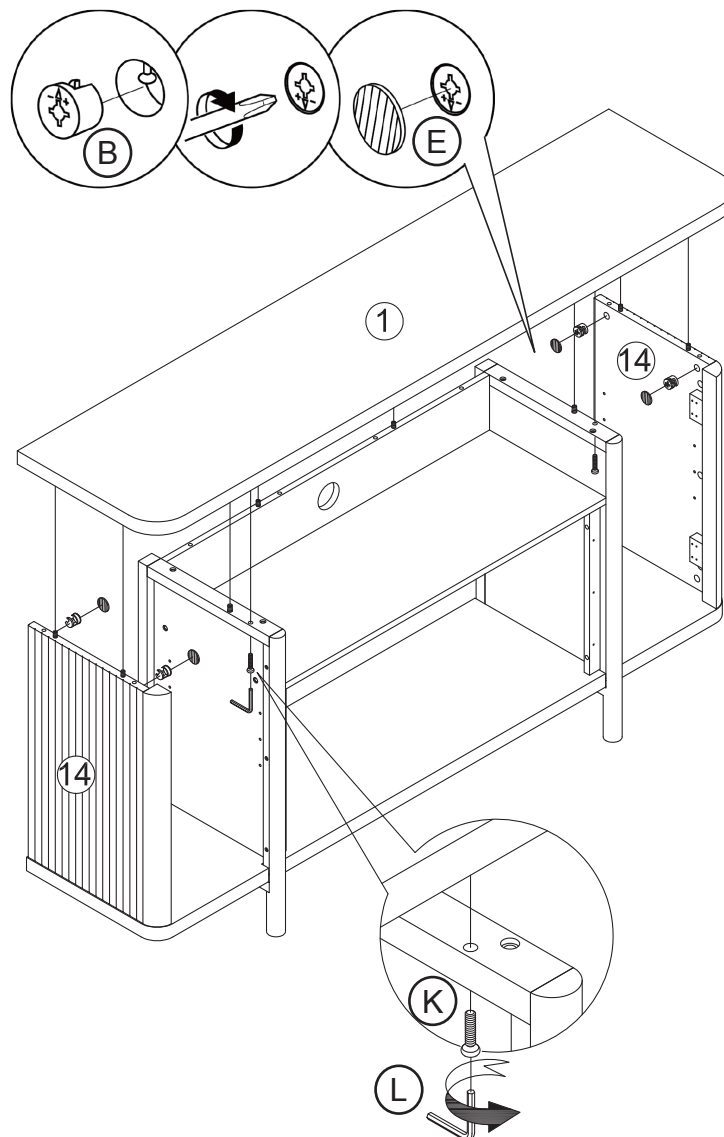
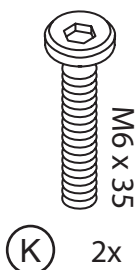
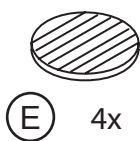
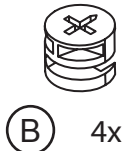
22

Attach cam bolts to the top panel (1).



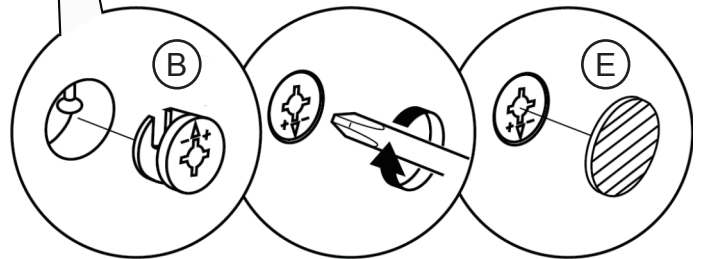
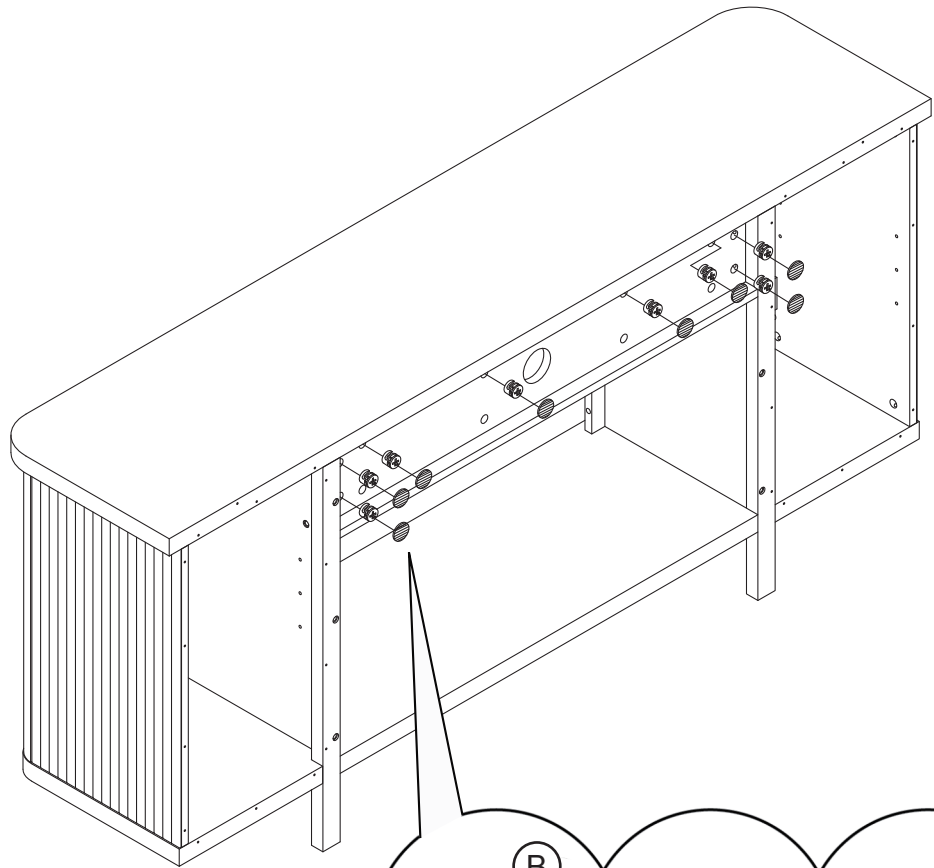
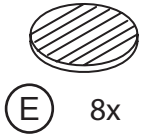
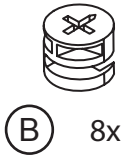
23

Assemble the top panel (1) on top of the stand.




24

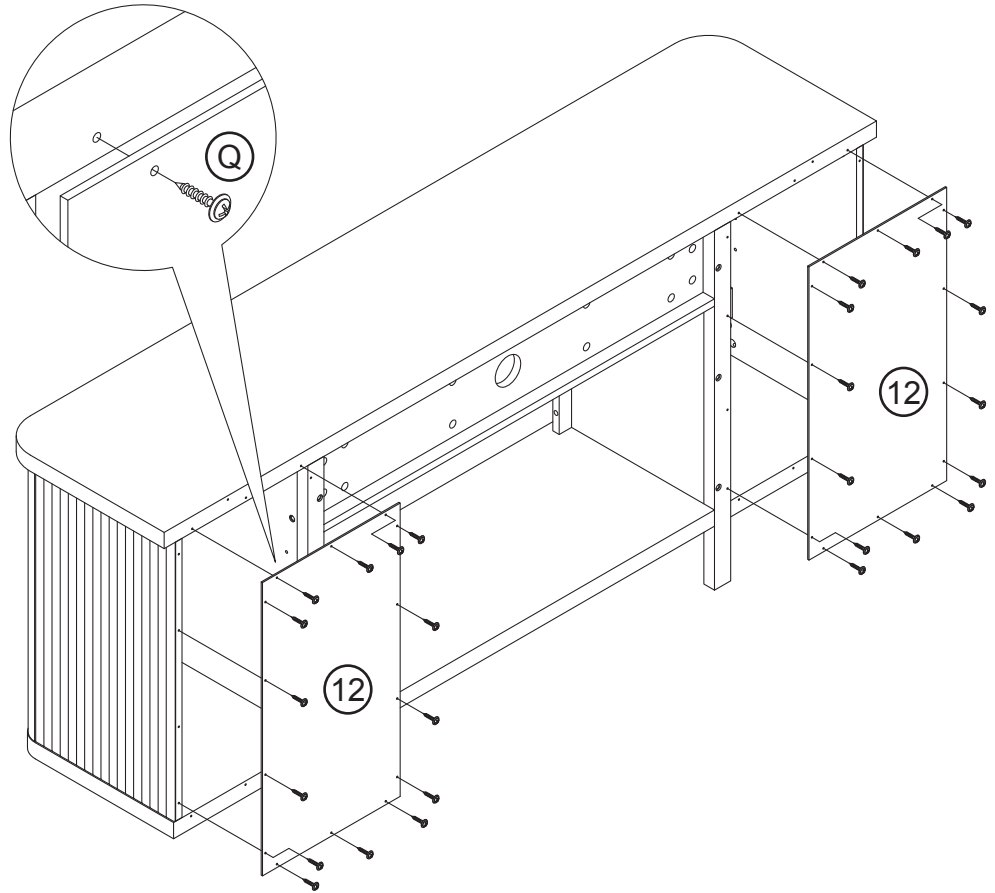
Secure the center back panel in place.



25


Attach side back panels (12) to the back of the stand.

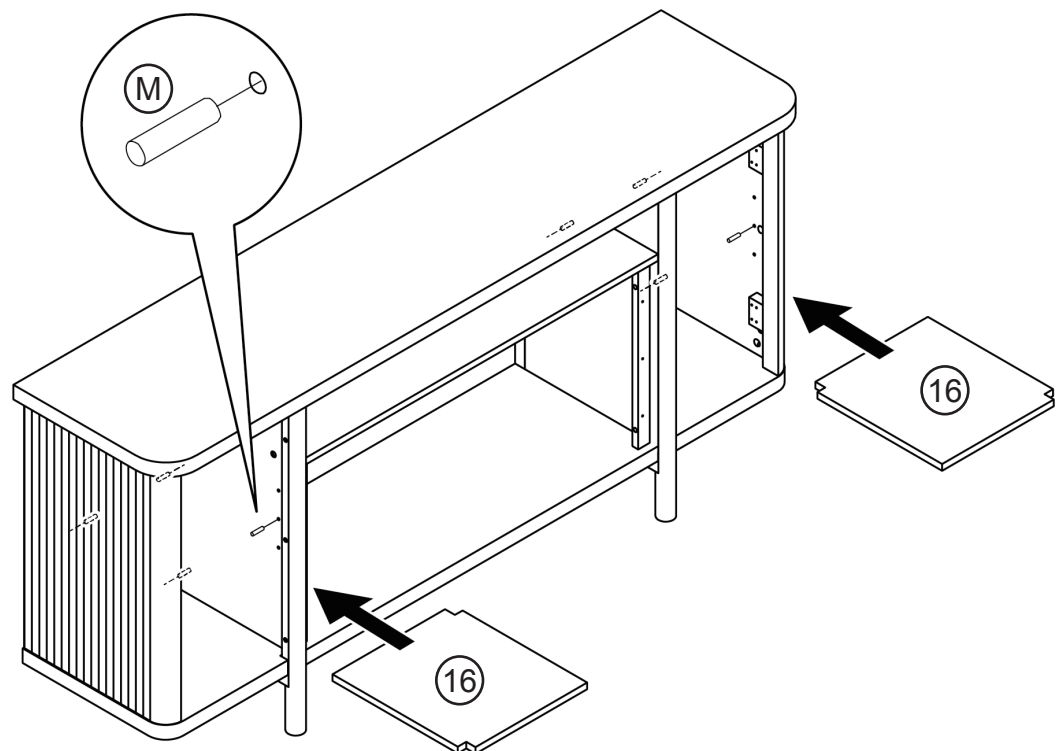
 Ø3 x 15
Q 28x



26

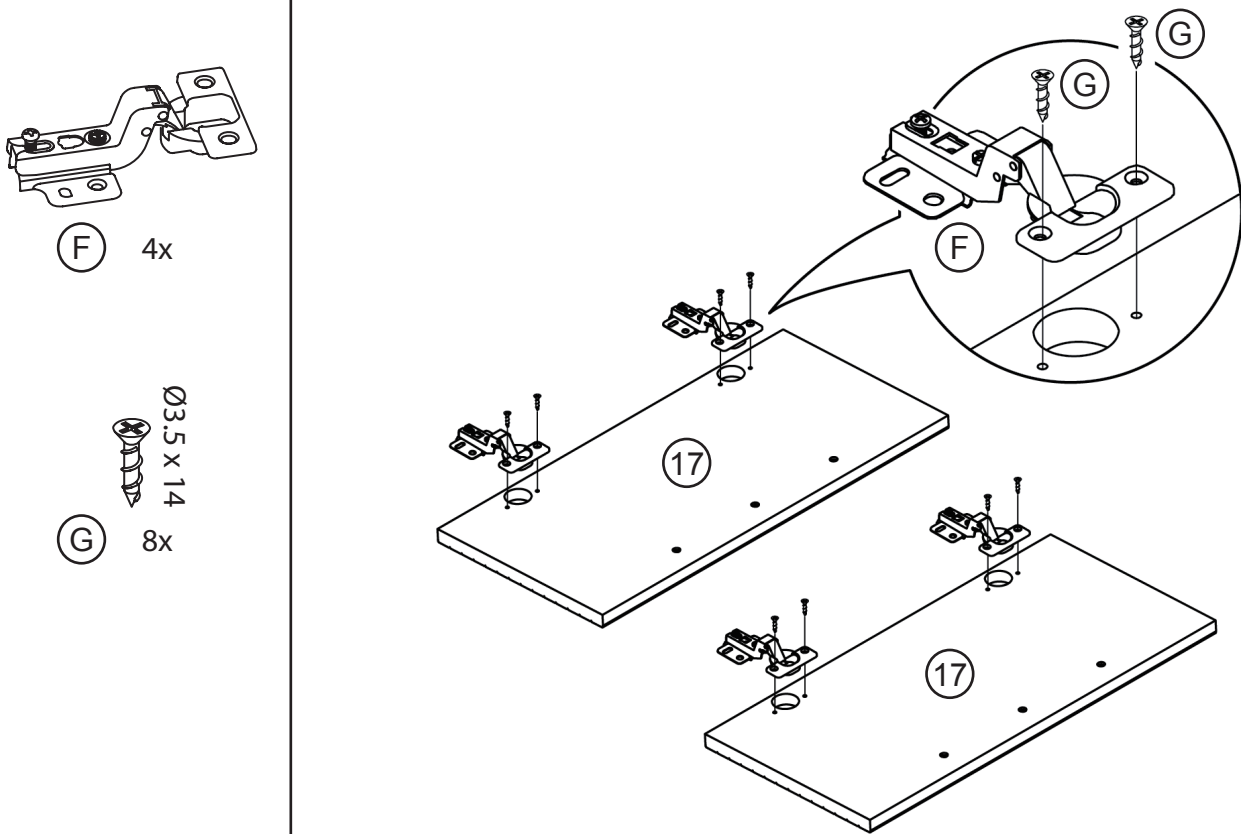
Insert shelf pegs into the stand and put on storage shelf panel (16).

 Ø4.8 x 25
M 8x



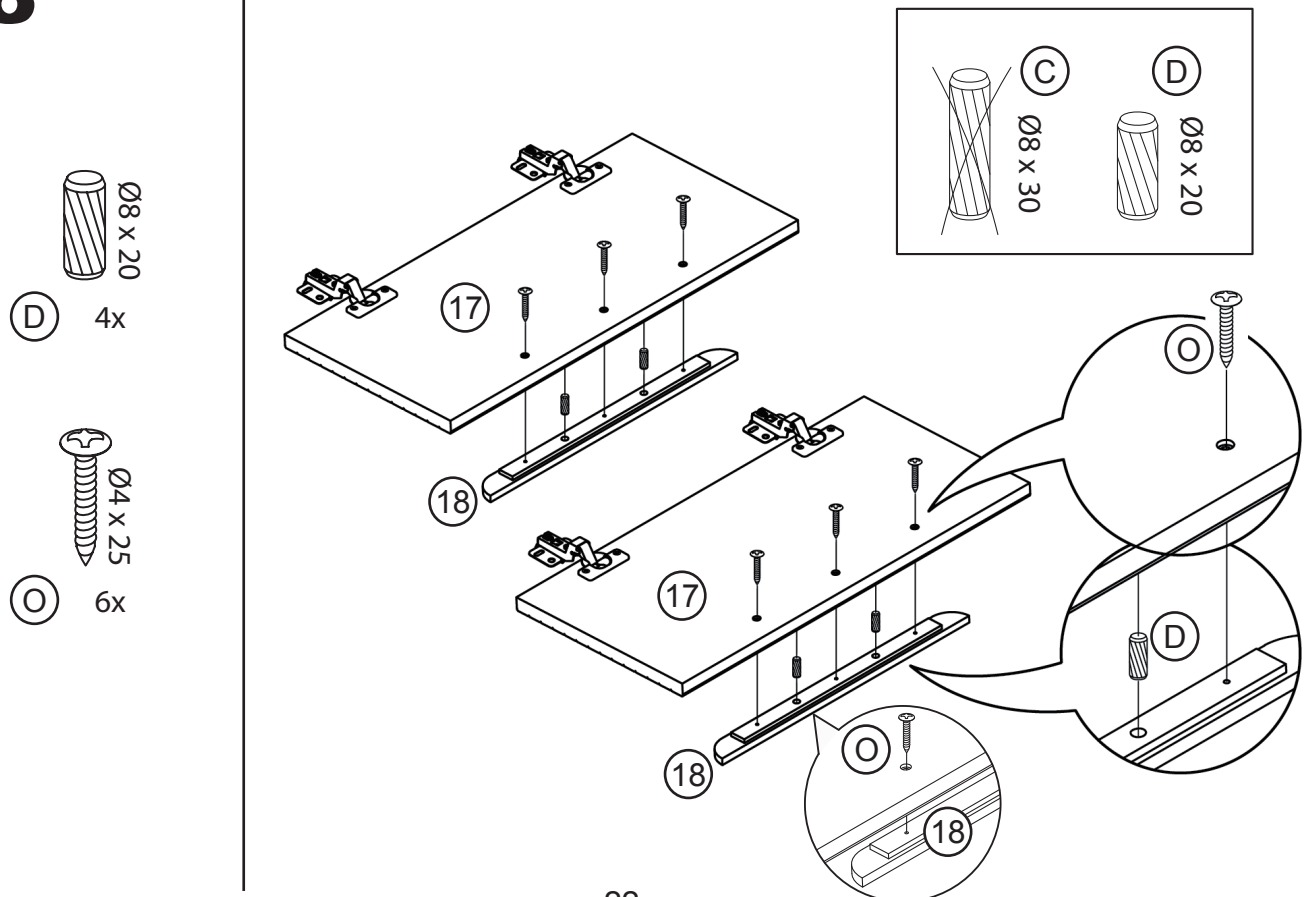
27

Attach door hinges to the cabinet doors.



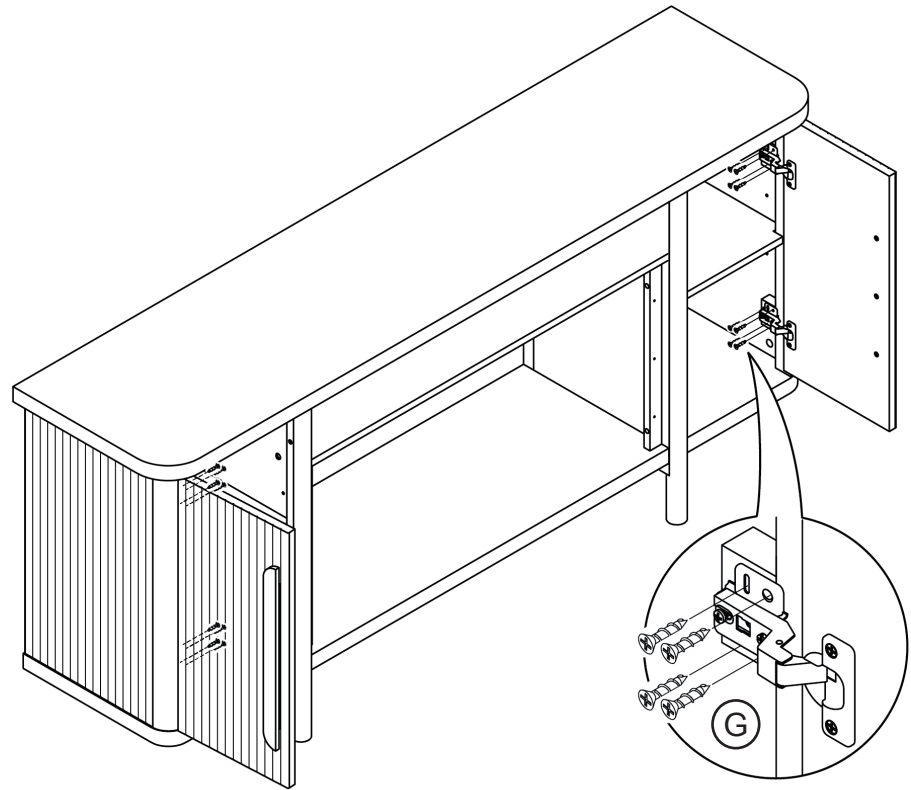
28

Attach door handle to the cabinet doors.

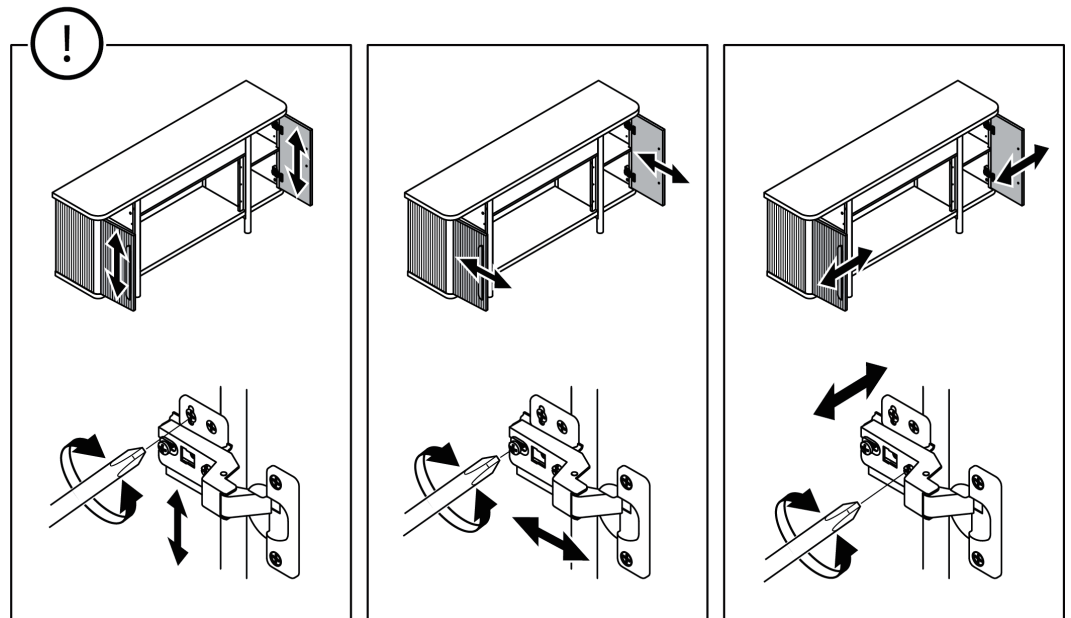


29

Attach cabinet doors to the stand.



When the clearance of the door is uneven, Adjust the cabinet door according to the figure. If you still have trouble while adjusting the door, please contact us.



Up and down adjustment by loosening the screws on the mounting plate.

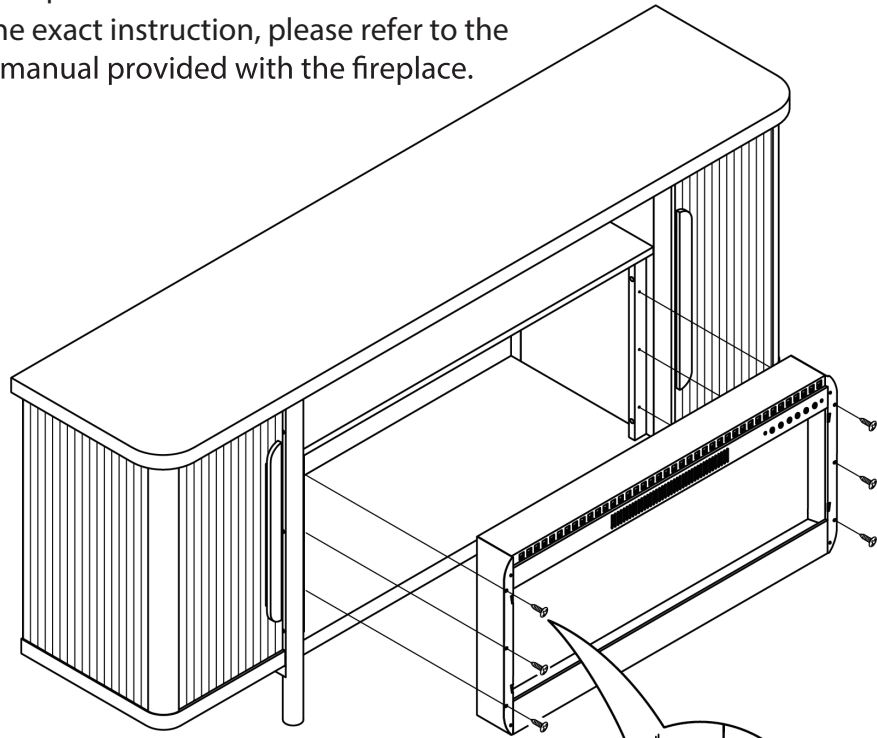
In and out adjustment by loosening the screws on the hinge arm.

Side to side adjustment using the front adjustment screw on the hinge.

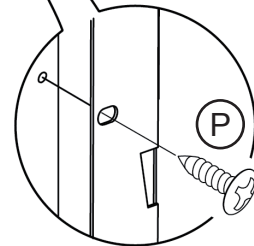
30

Install your fireplace heater from the front of the stand to and attach it to the surround panels.

*For the exact instruction, please refer to the user's manual provided with the fireplace.



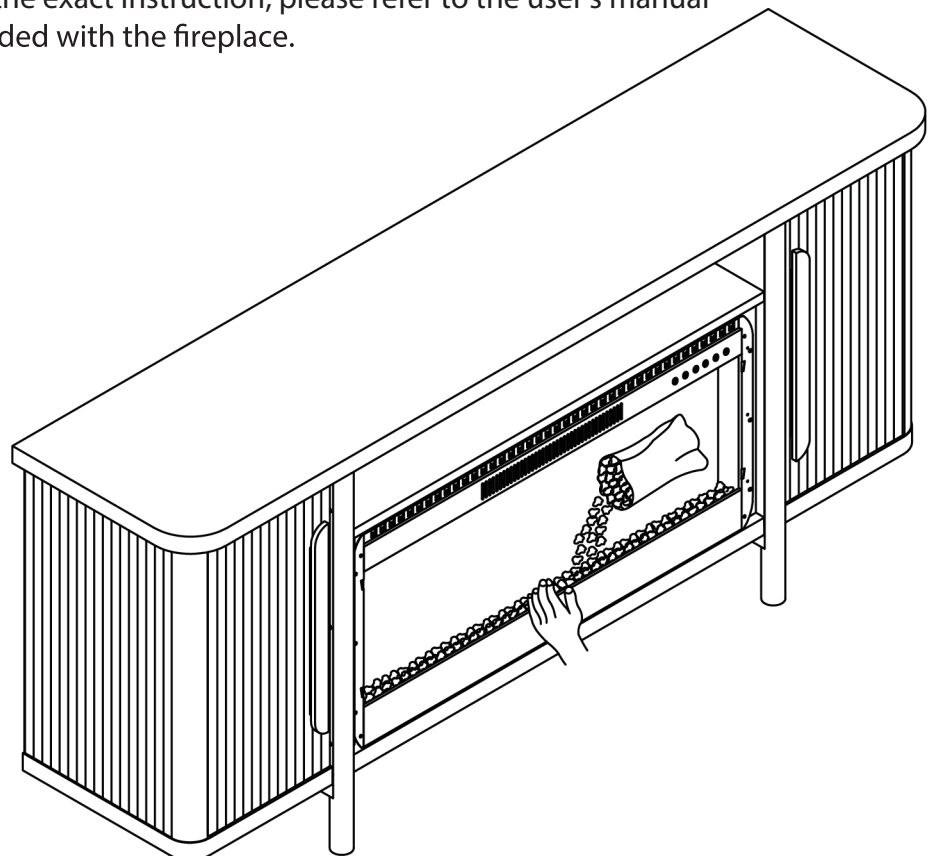
Set the unit from the front of the fireplace mantel and center it in the opening, check the alignment and attach the unit to the mantel by inserting screws through the drilled holes on the mantel.



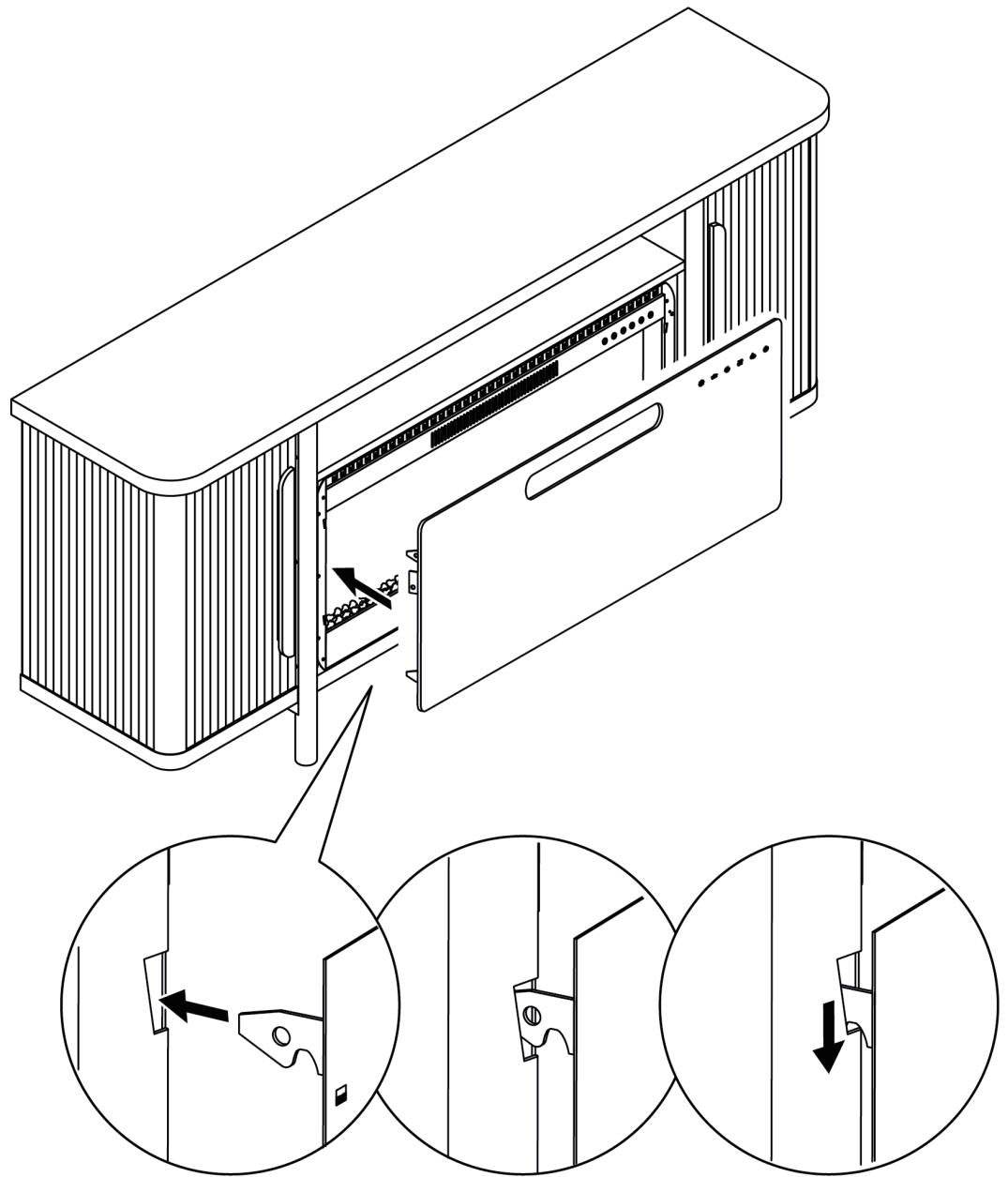
31

Place decorative crystals or rocks into the fireplace.

*For the exact instruction, please refer to the user's manual provided with the fireplace.



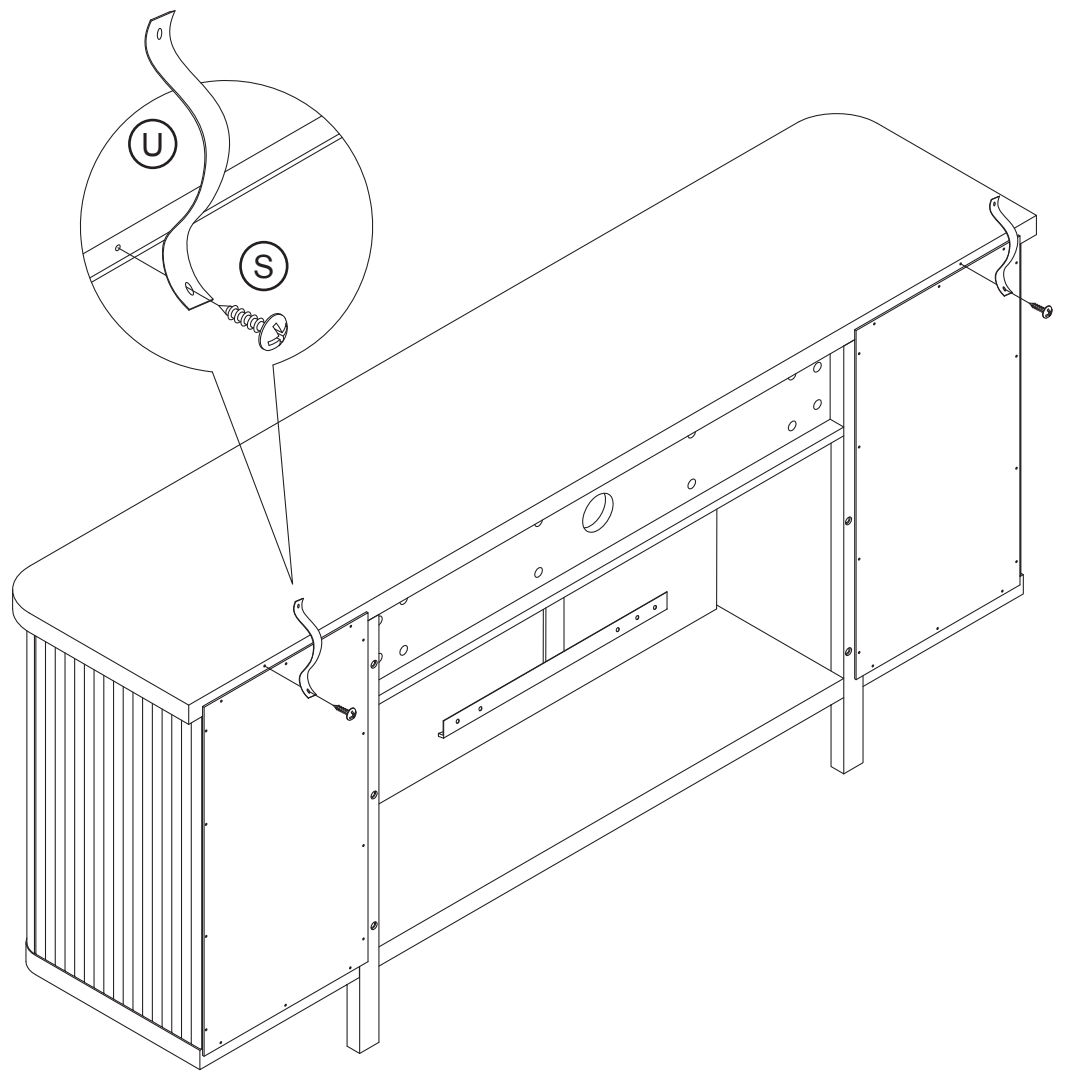
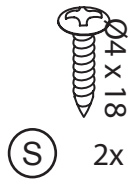
Attach fireplace front glass panel to the fire place.



⚠ Attention: Be careful when handling glass panel.

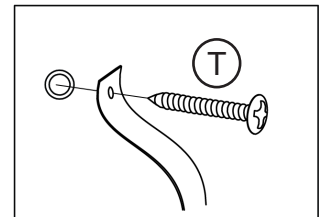
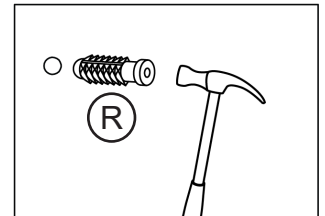
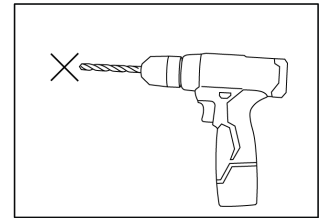
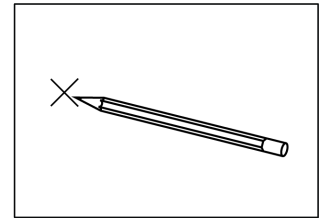
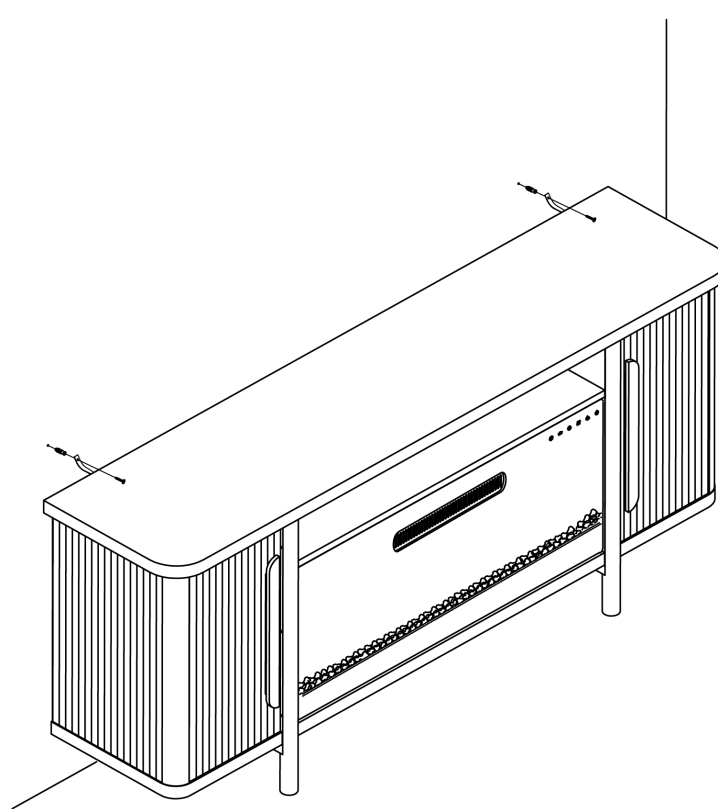
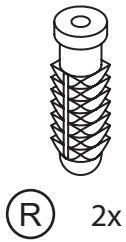
33

Attach anti-tipping straps to the back of the stand.



34

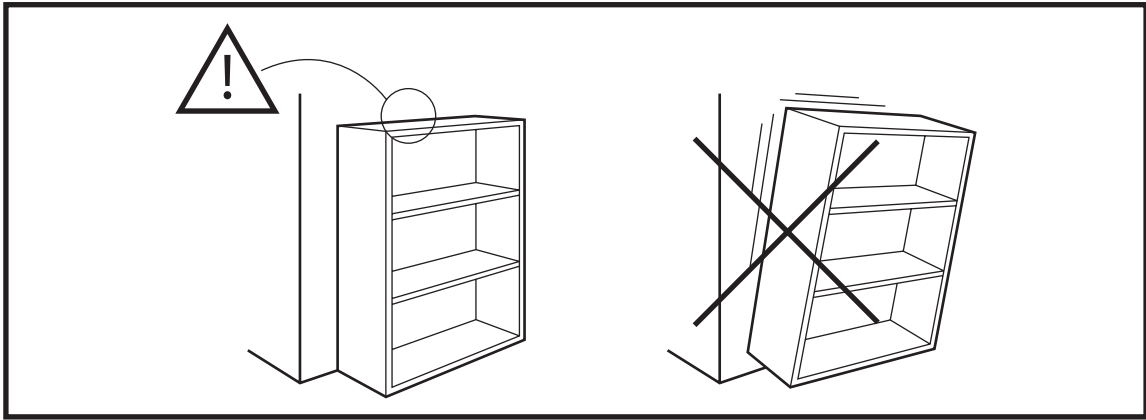
Affix the stand to a wall.



Furniture must permanently fixed to the wall stud with included anti-tipping device to prevent the furniture from tipping over.

- Mark the drill position on the wall with a pencil.
- Drill a small hole on the marked position.
- Insert a wall anchor into the drilled hole.
- Fixed the anti-tipping strap to the wall with provided screws.

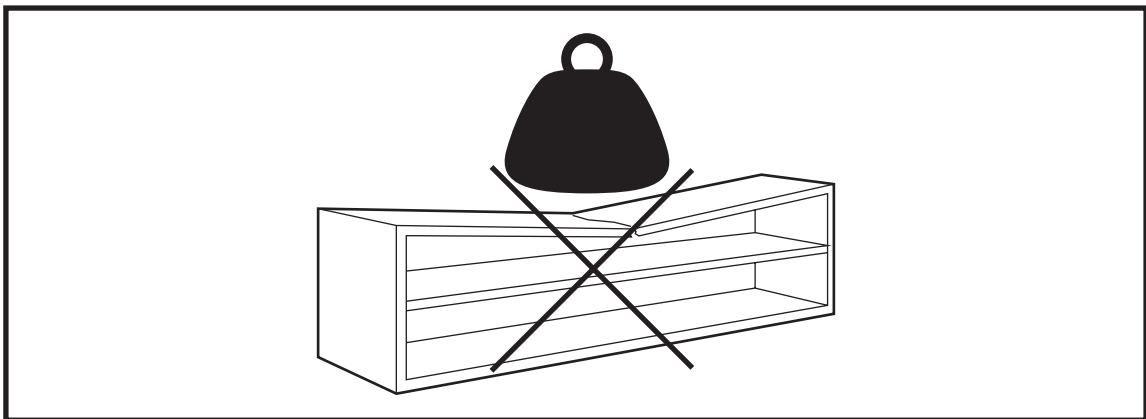
YOU'RE FINISHED!



Warning

Serious or fatal crushing injuries may occur if the furniture tip-over. Furniture must permanently affixed to the wall with included anti-tipping device in order to prevent the furniture from tipping over.

Different wall materials requires different types of wall anchors or screws. Use a suitable wall anchors or screws for your specific wall in order to secure the stability and load bearing capacity of the furniture. If you are uncertain about which type of device to use, please contact us or your local hardware store.



Warning

Only place items on top of the product if they meet the recommended size and weight limits.

Climbing on, stepping on, or placing overweighted objects on the product may cause property damage and/or injuries.

Items placed onto this product must be resting on a support surface without hanging over the edges.

WARNING

For use with televisions weighing 70lbs (31.8kg) or less. Use with heavier televisions may result in instability, causing tip over resulting in death or serious injury.

Death or serious injury may occur when children climb on audio and/or video equipment furniture. A remote control or toys placed on the furnishing may encourage a child to climb on the furnishing and as a result the furnishing may tip over on to the child.

Relocating audio and/or video equipment to furniture not specifically designed to support audio and/or video equipment may result in death or serious injury due to the furnishing collapsing or over turning onto a child.

NOTICE

The recommended maximum width of the television is 75 inches. Do not exceed the maximum load capacity.

This product is designed for flat panel TVs only.

BELLEZE[®]

FURNITURE CARE AND MAINTENANCE

Medium - Density Fiberboard

Thank you for your purchase. We want your item to last as long as possible. To ensure the product gives you years of longevity, please follow the recommendations in this care and maintenance guide.



MAINTENANCE

- Tighten all bolts and screws again within the first 2 weeks of assembly.
- Check the tightness of all bolts every 2 months and tighten them if necessary.



CLEANING

- Clean the surface of the MDF (medium - density fiberboard) with a lightly dampened cloth.
- A small amount of mild soap can be used if necessary.
- Dry the surface immediately after cleaning.

⚠ DO NOT use bleach or alcohol to clean the surface.

⚠ DO NOT apply wood treatment on parts made with MDF.

MDF will swell and distort when exposed to water damage. Make sure to dry the furniture immediately after cleaning.

⚠ WARNING

The manufacturer and seller are not responsible for any and all liability relating to personal injury, property damage or losses, whether direct, indirect, or incidental, resulting from the incorrect attachment, improper use, inadequate maintenance, unapproved modification or neglect of this product.

© All copyright of this document belongs to BELLEZE.
This document may not be printed, translated, reproduced, or distributed in whole or in part without written permission from BELLEZE.

WARRANTY

BELLEZE products come with a 1-year warranty from the date of delivery.
Register your product on our website to enjoy our limited lifetime warranty!



AFTER-SALE SERVICE



Encounter any difficulties or missing parts?



Contact us at **1-800-682-6376** or email us at **support@belleze.com**



We will send you replacement.



Hassle free!
No need to worry about repackaging and sending your item back.

We hope you enjoy your new BELLEZE furniture!
Share your photos on Instagram and tag us: @bellezefurniture.

FOLLOW US:



@bellezefurniture

CONTACT INFO:

support@belleze.com
1-800-682-6376

BELLEZE®