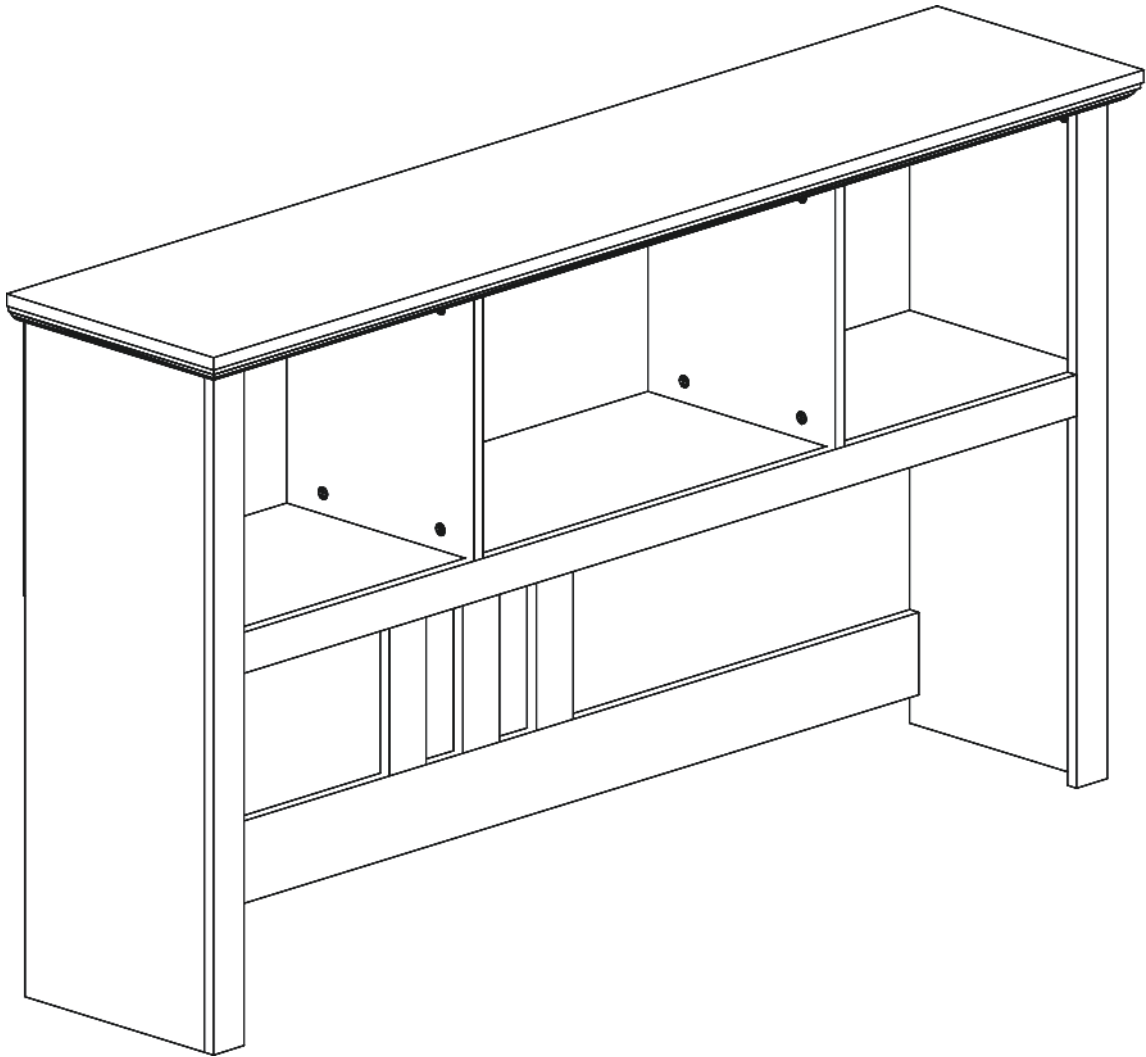


BELLEZE®

ELEGANTLY MODERN AT HOME



Bonelli Hutch

item no. 014-HG-40747-B

www.belleze.com

FOLLOW US:



@bellezefurniture

CONTACT INFO:

support@belleze.com
1-800-682-6376

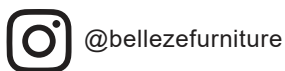
NOTE:

The instruction booklet contains **IMPORTANT** safety information. Please read and keep for future reference.

OUR BRAND

Since 2013, Belleze has been dedicated to providing customers with quality products and exceptional service and has prospered into one of the nation's largest retailers of indoor and outdoor home décor. Every Belleze product is carefully selected to ensure they meet our standards as well as your standards. We believe quality should never be determined by price which is why Belleze is committed to providing high end merchandise at the absolute lowest cost.

PLEASE LIKE, COMMENT AND FOLLOW.



Estimated Time for Assembly

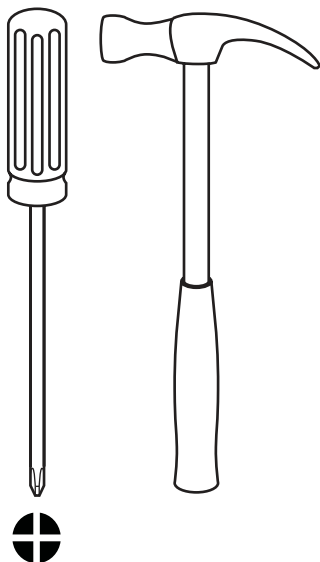
60 mins

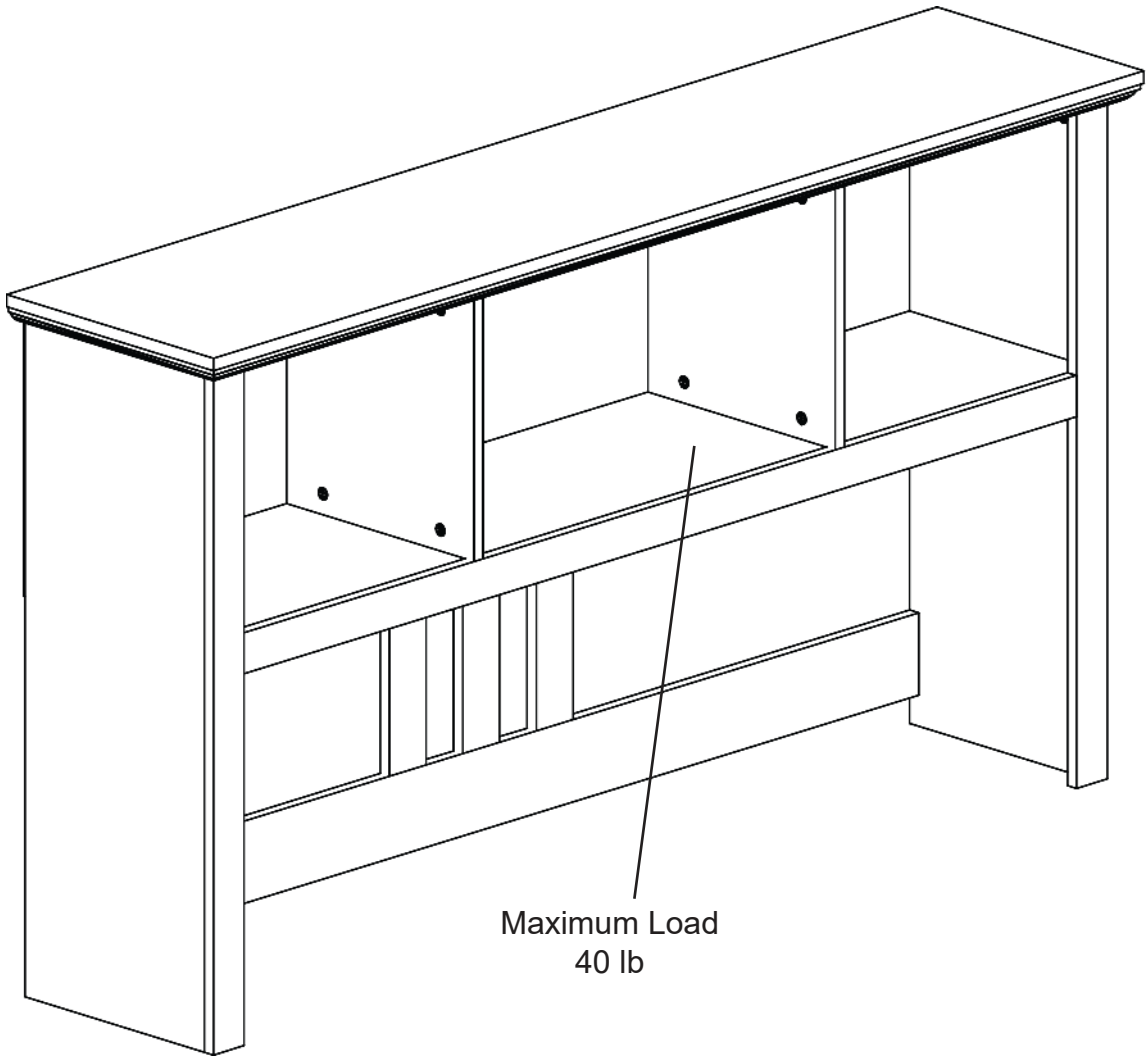


Weight Limitation

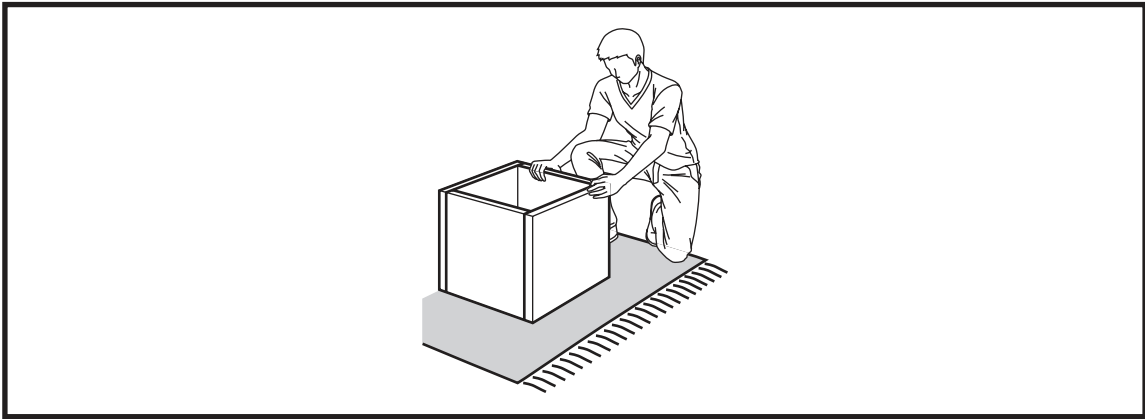
40 lb Shelf

Tools Needed (Not included)

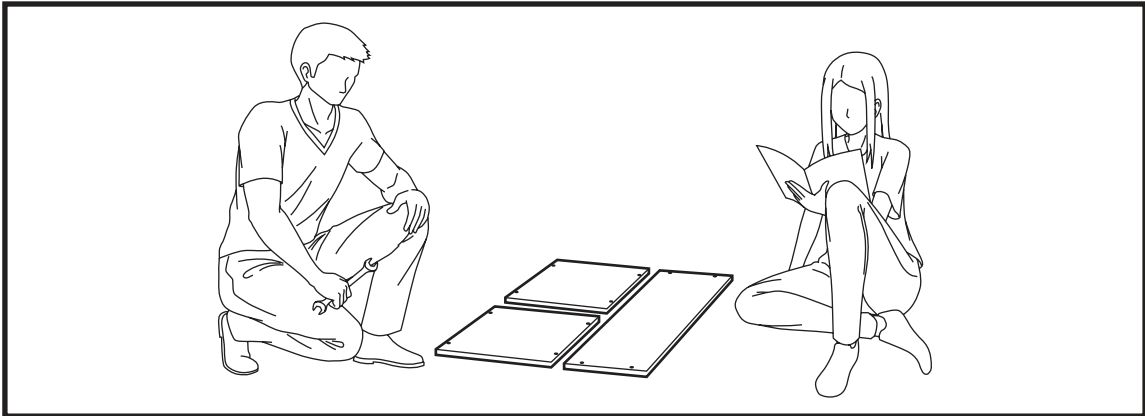




Maximum Load
40 lb



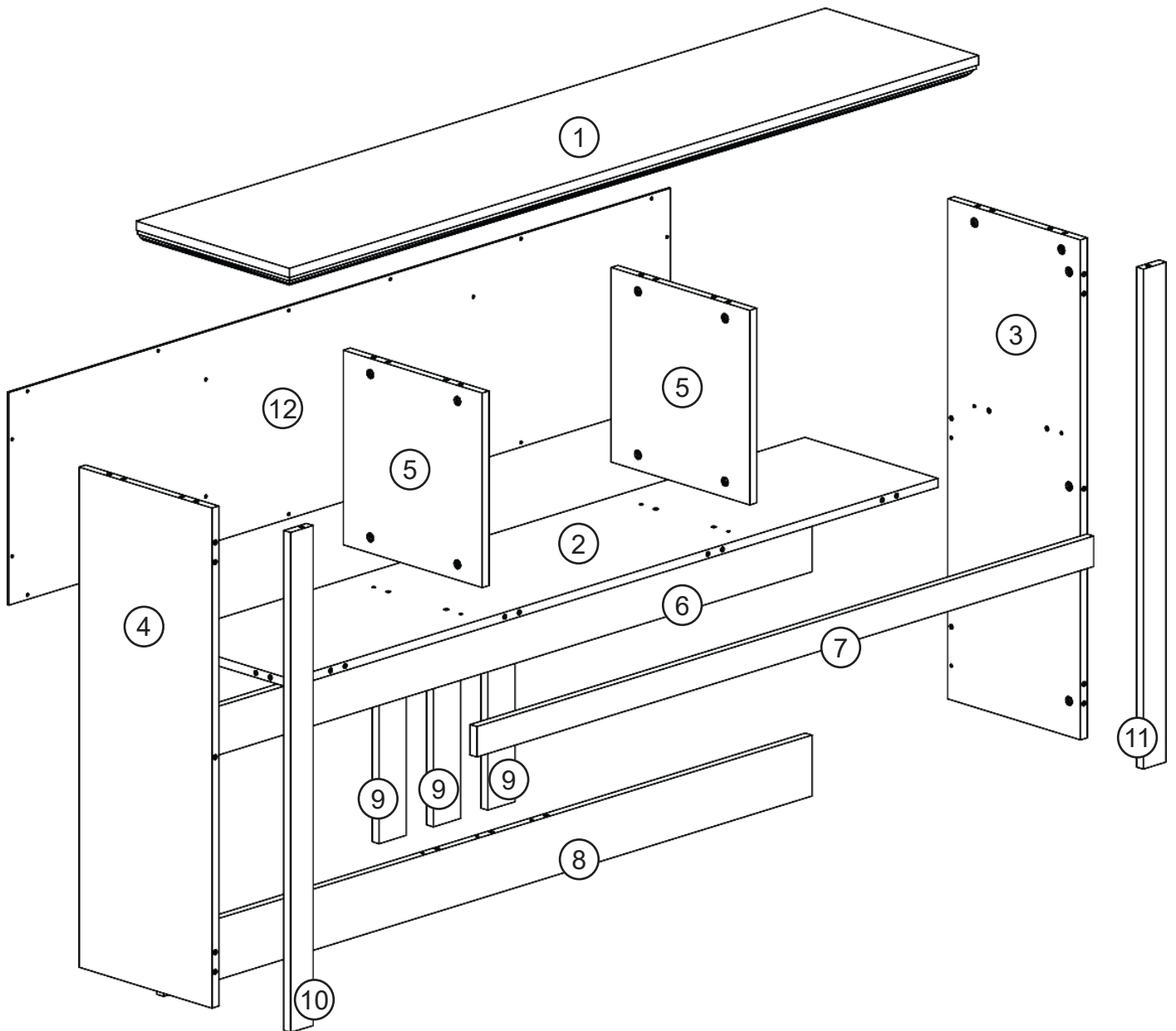
Assembly the furniture on empty carton, carpet, or rug to prevent scratches or damage.



This furniture requires 2 people to assembly.

Make sure no parts are missing or damaged before assembly.

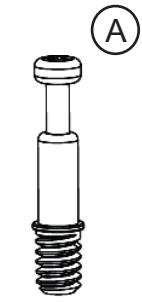
PACKAGE CONTENT



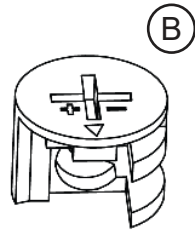
PACKAGE CONTENT

CODE	DESCRIPTION	QTY
1	Top Plate	1
2	Shelf Board	1
3	Right Side Plate	1
4	Left Side Plate	1
5	Median Septum	2
6	Rear Shelf support Plate	1
7	Front Shelf support Plate	1
8	Bottom Plate	1
9	Trim Strip	3
10	Left Front Plate	1
11	Right Front Plate	1
12	Back Board	1

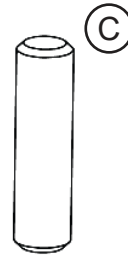
PACKAGE CONTENT



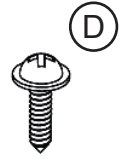
40x + 1



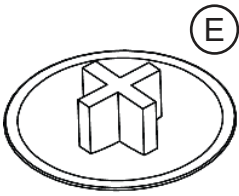
40x + 1



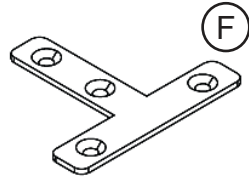
40x



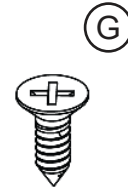
22x + 1



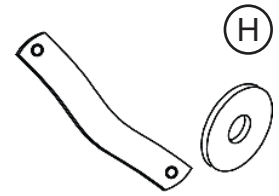
40x



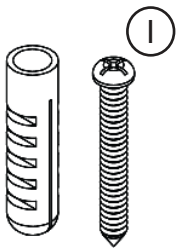
2x



8x

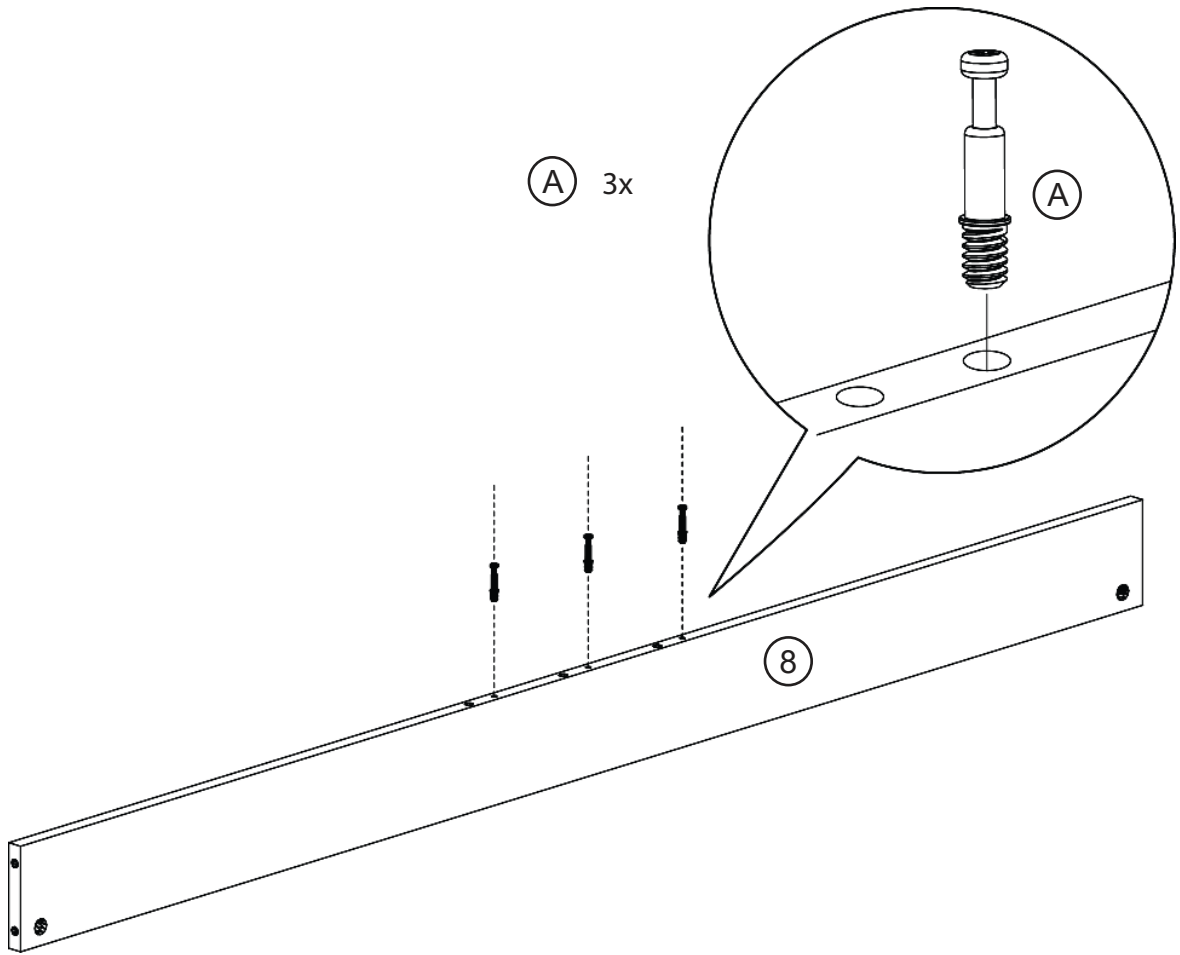


2x + 4x

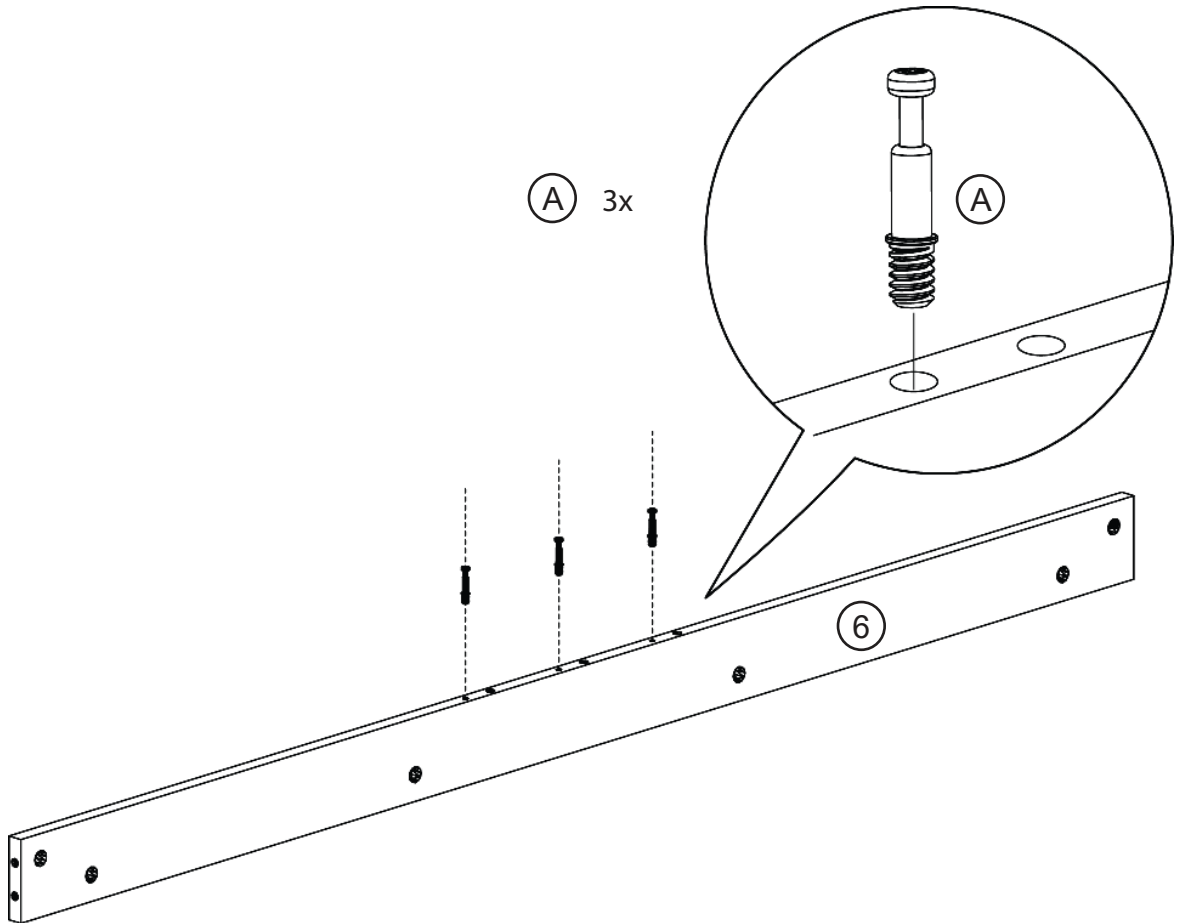


2x + 2x

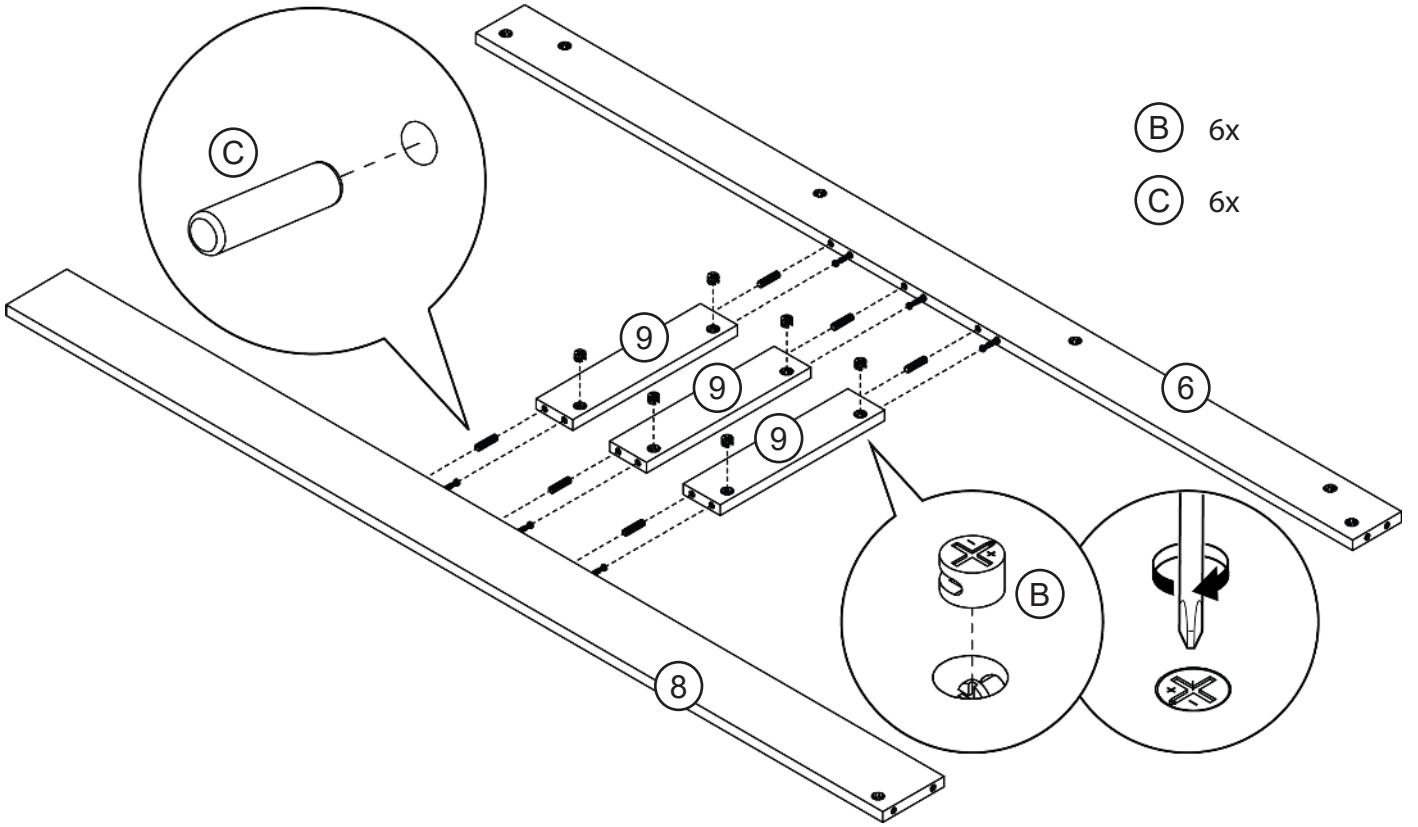
1



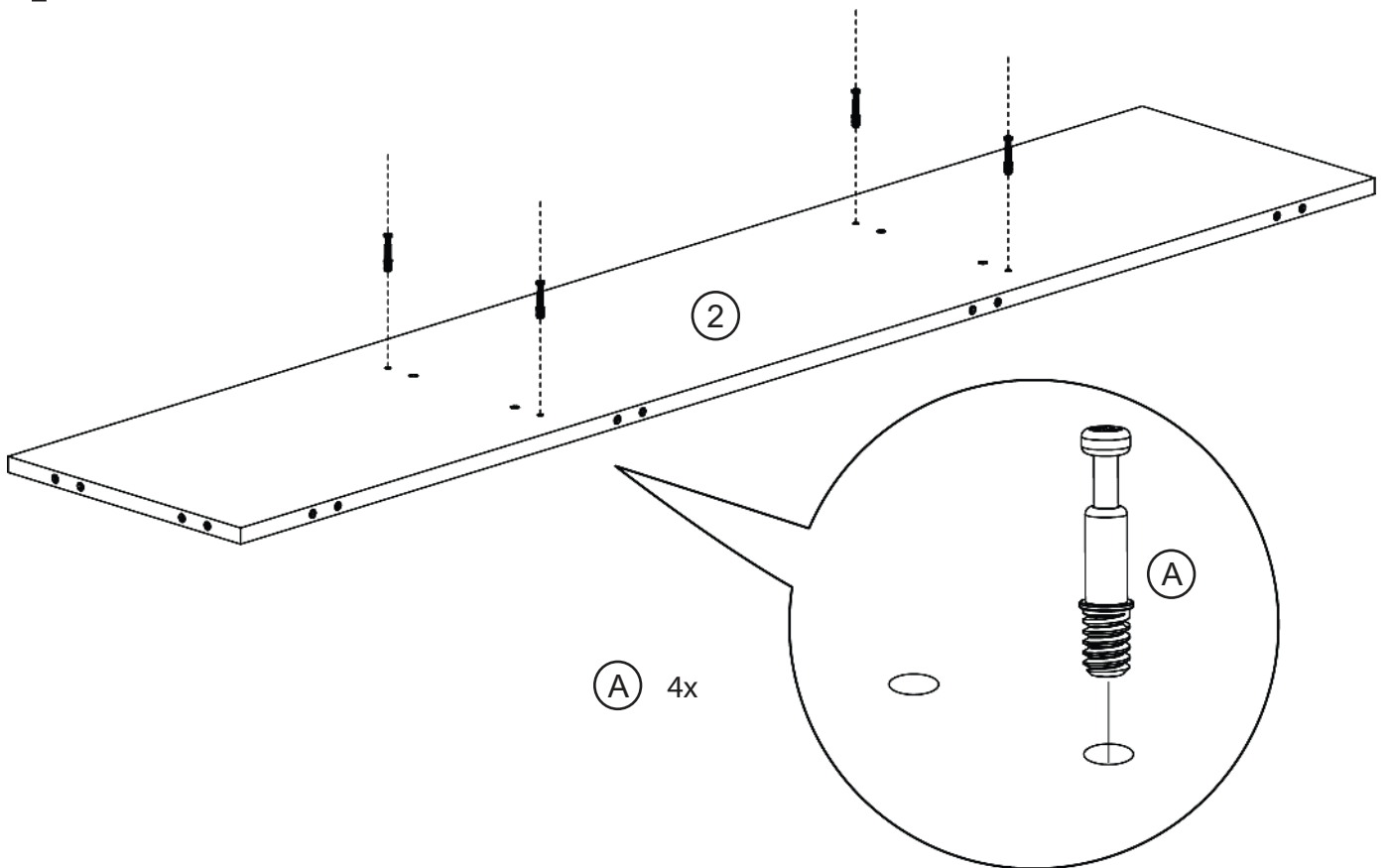
2



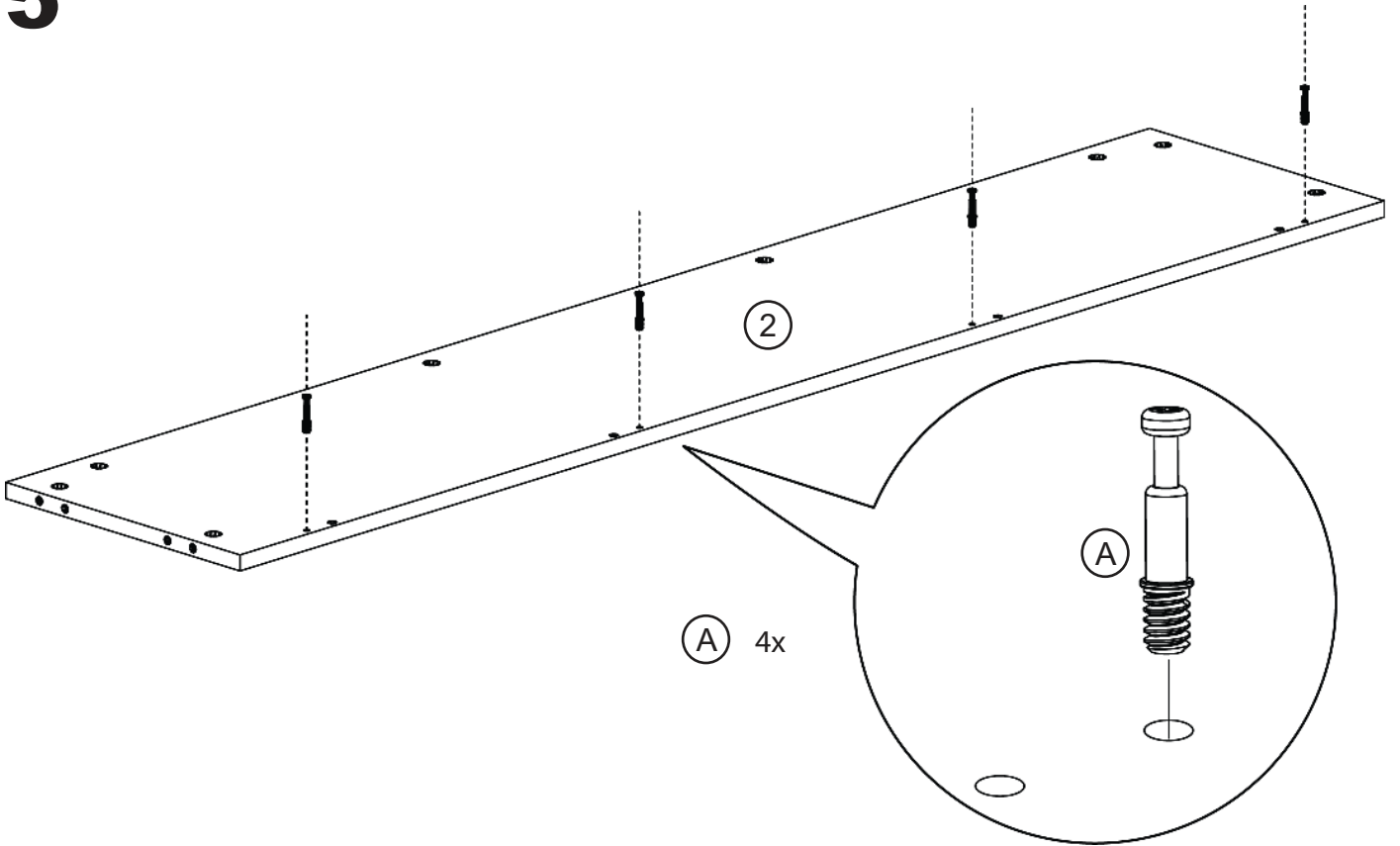
3



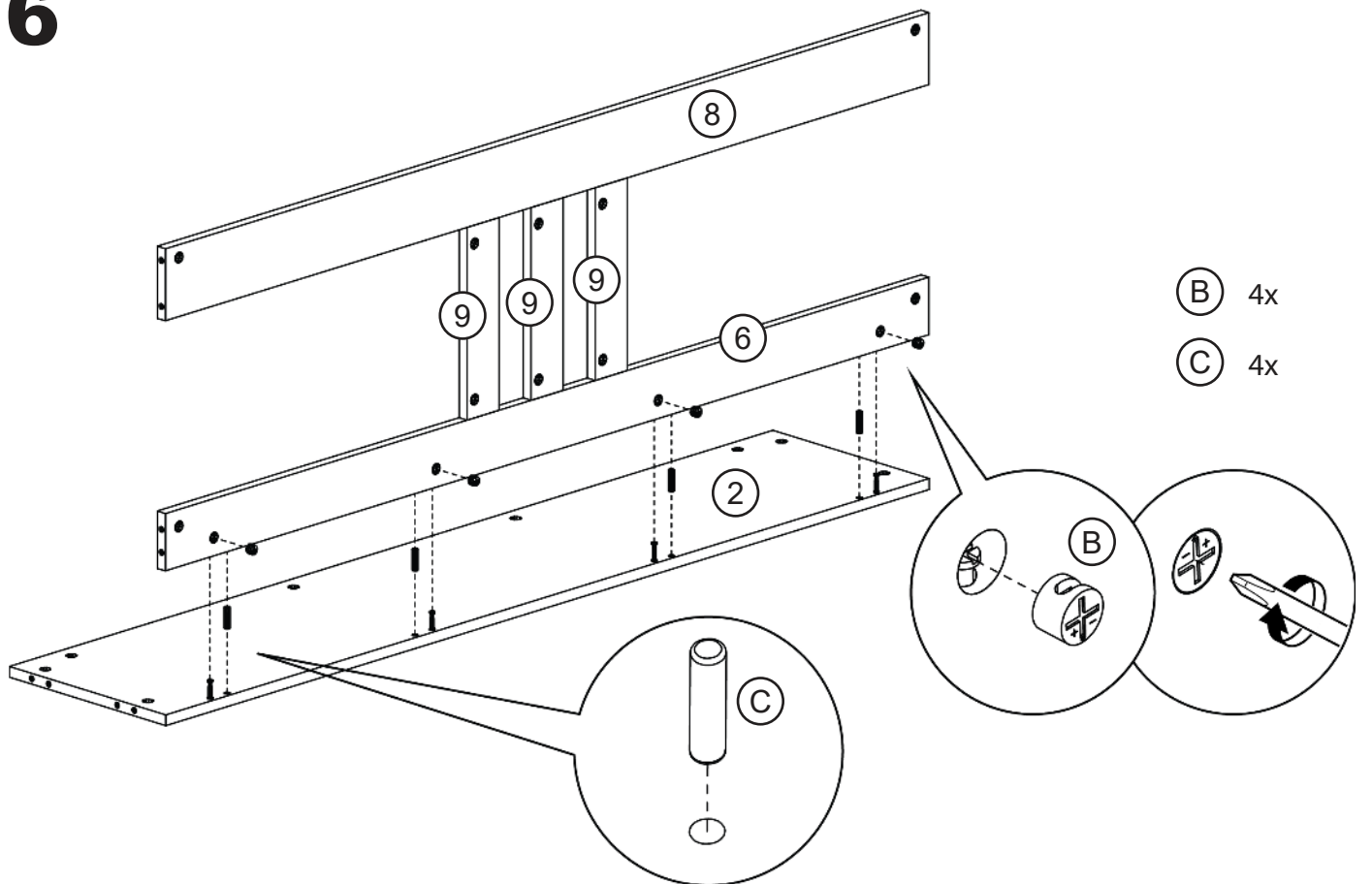
4



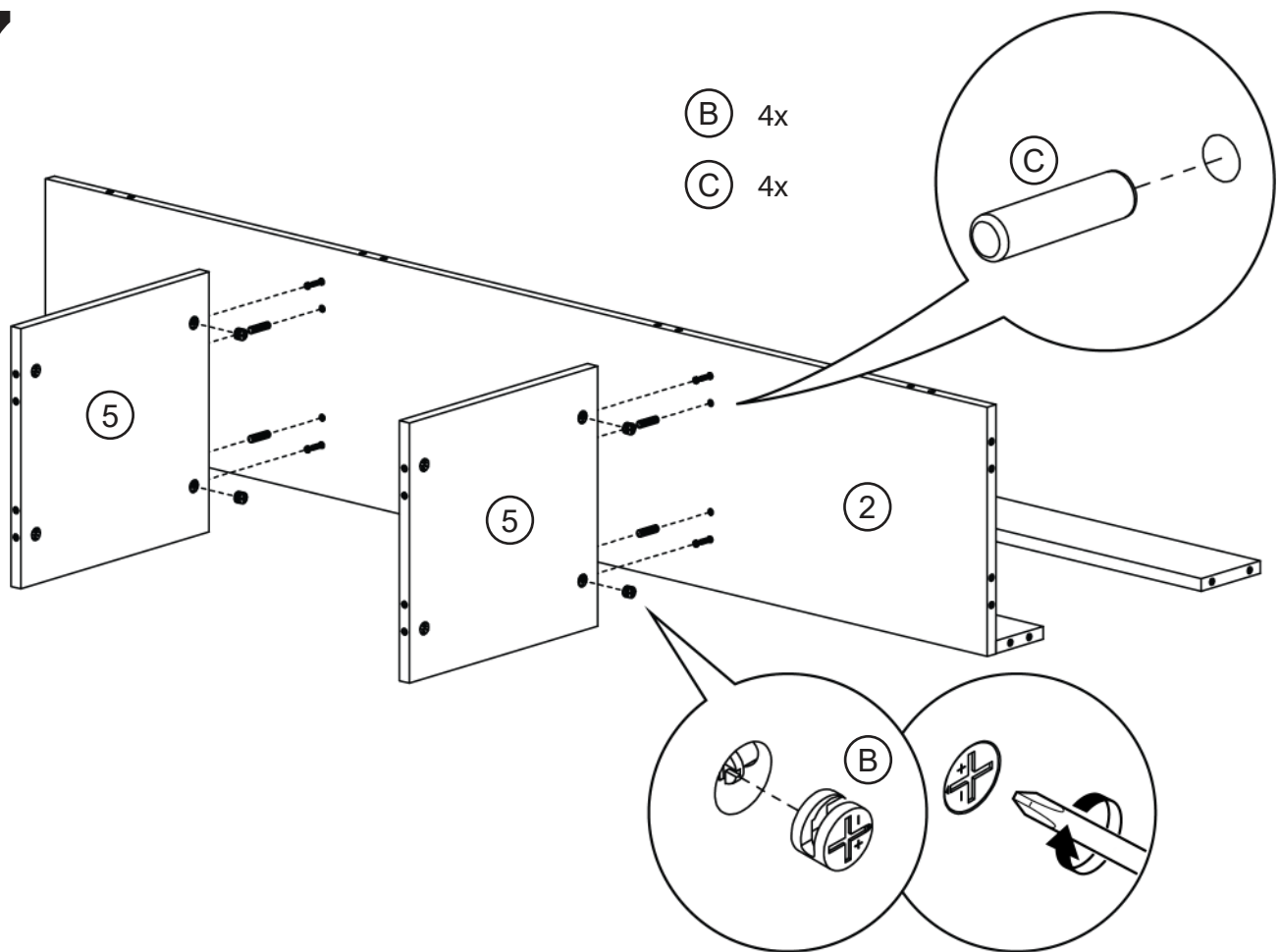
5



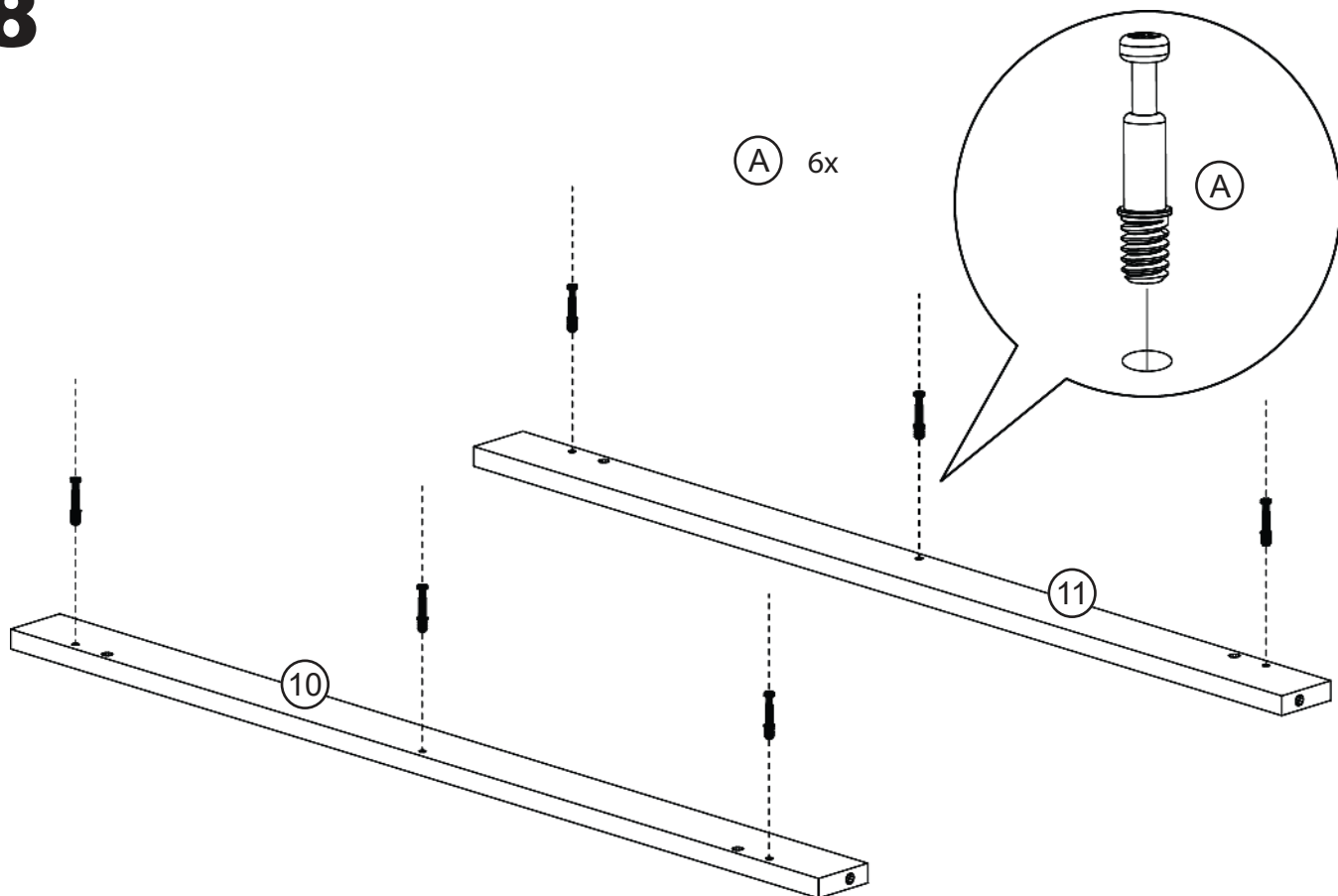
6



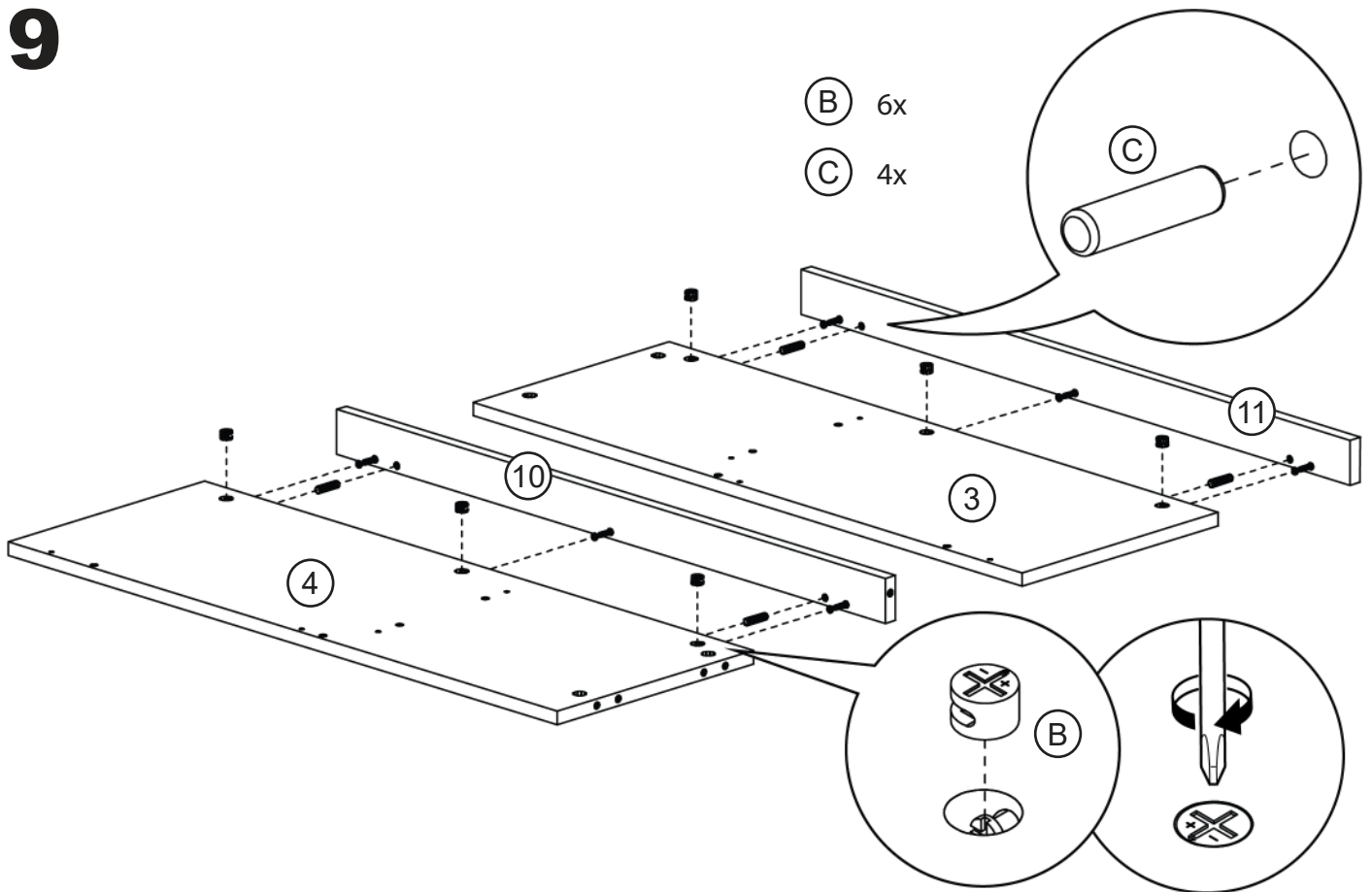
7



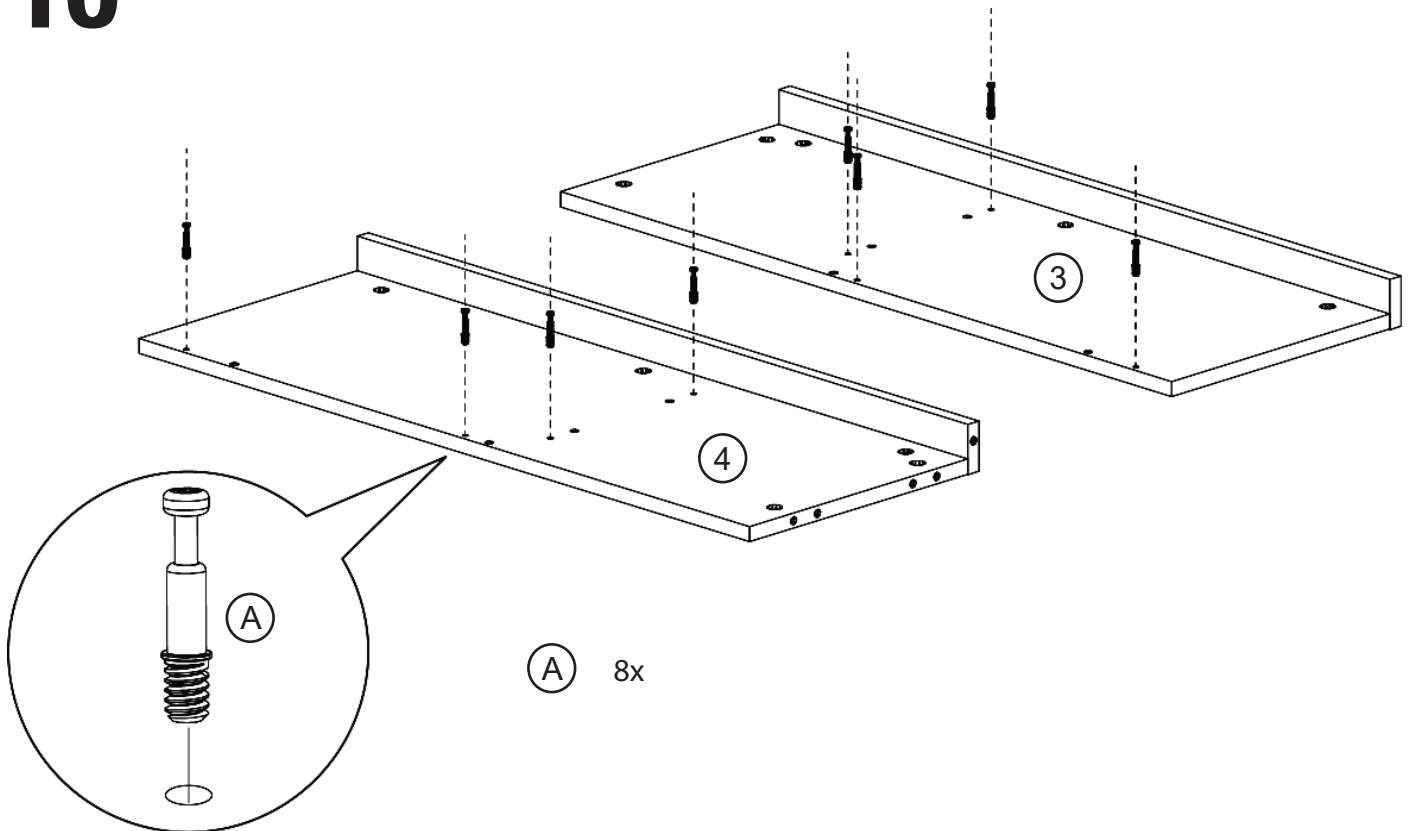
8



9



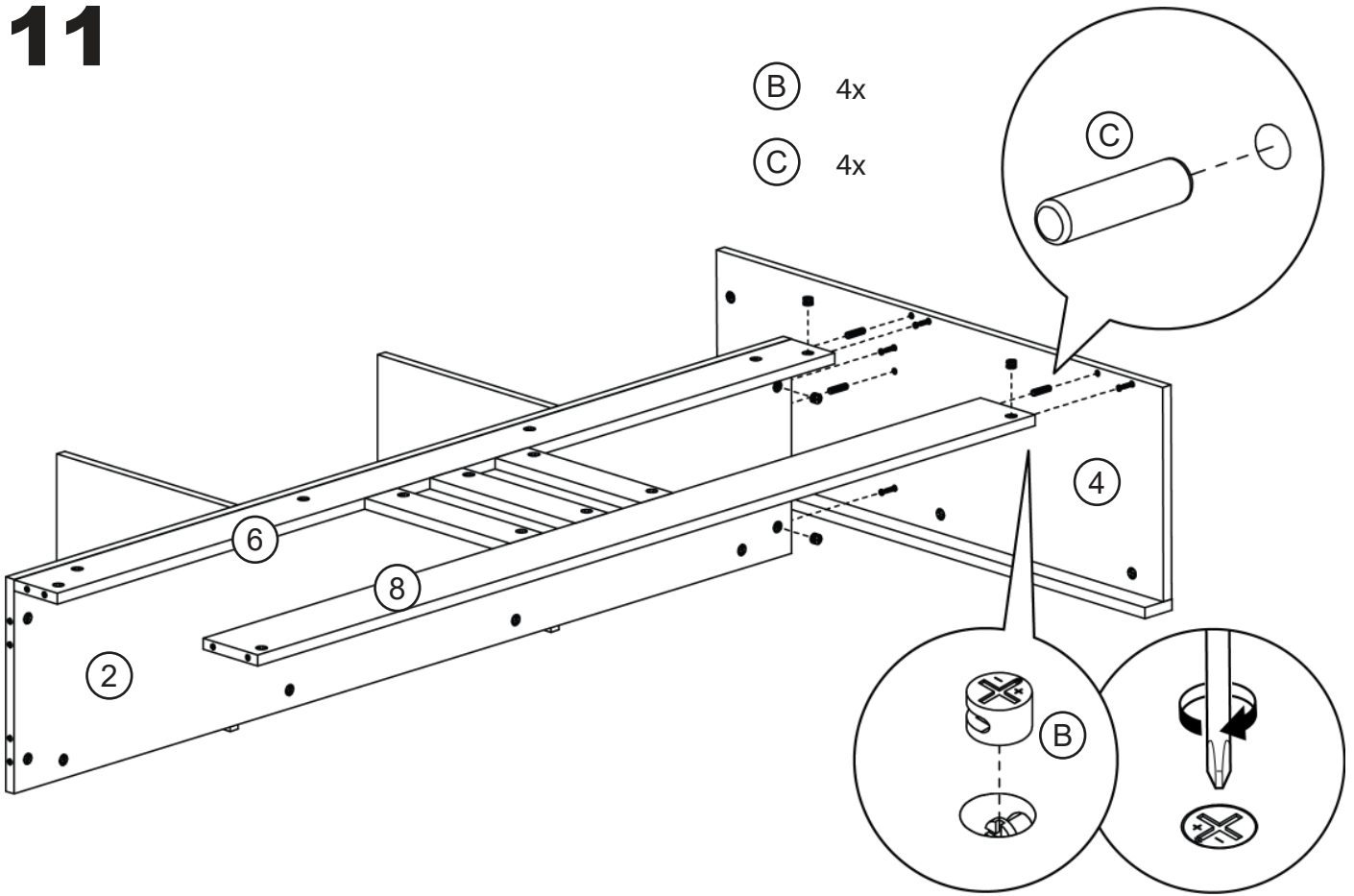
10



11

(B) 4x

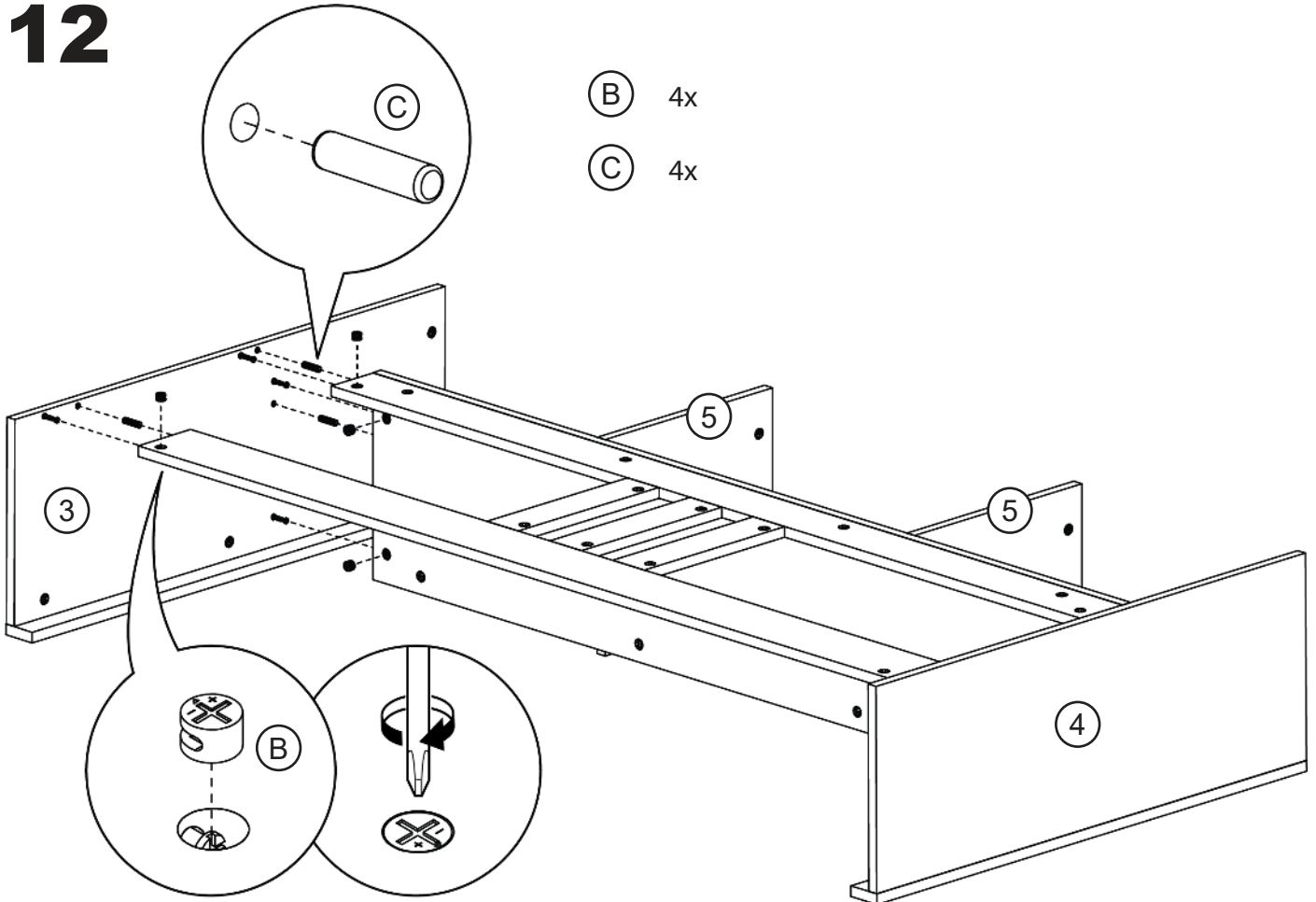
(C) 4x



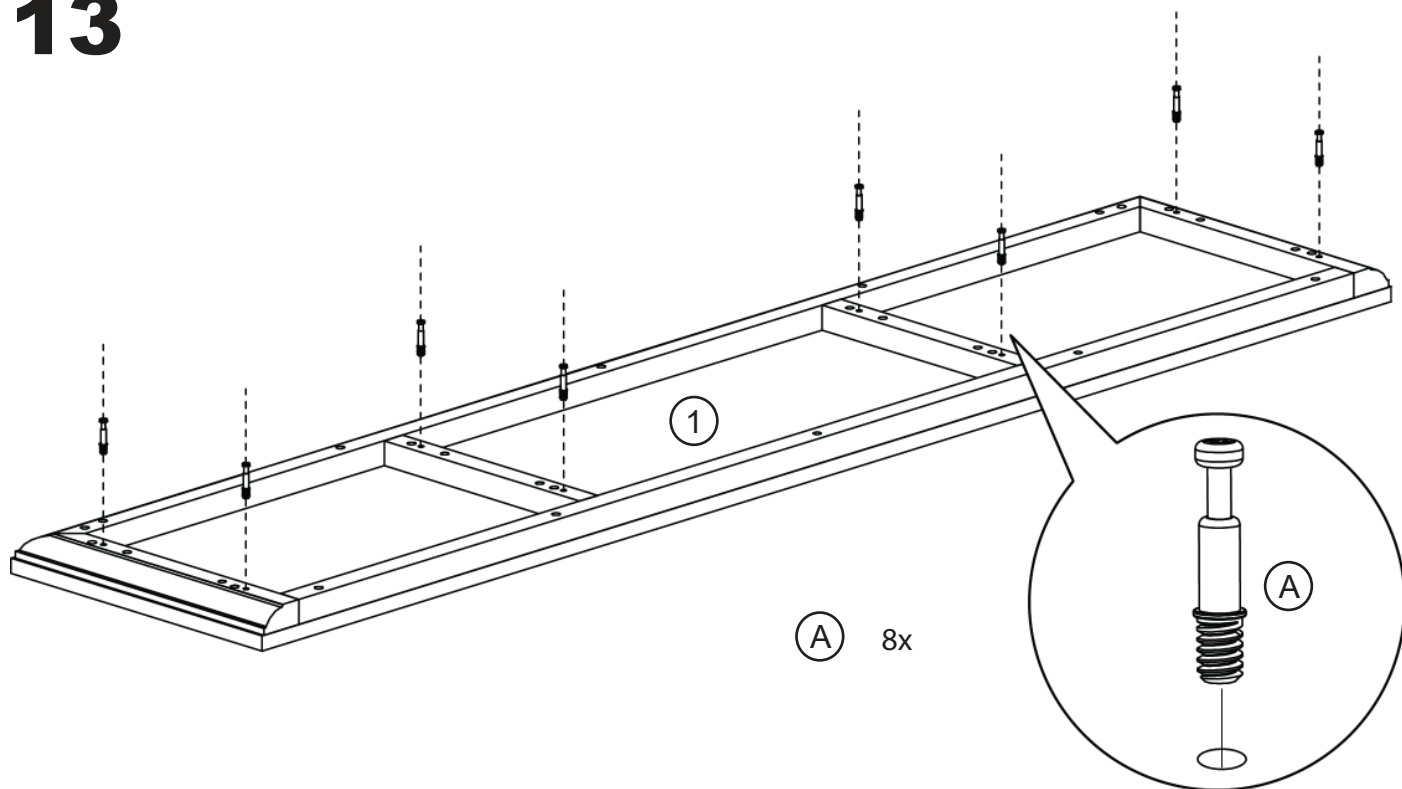
12

(B) 4x

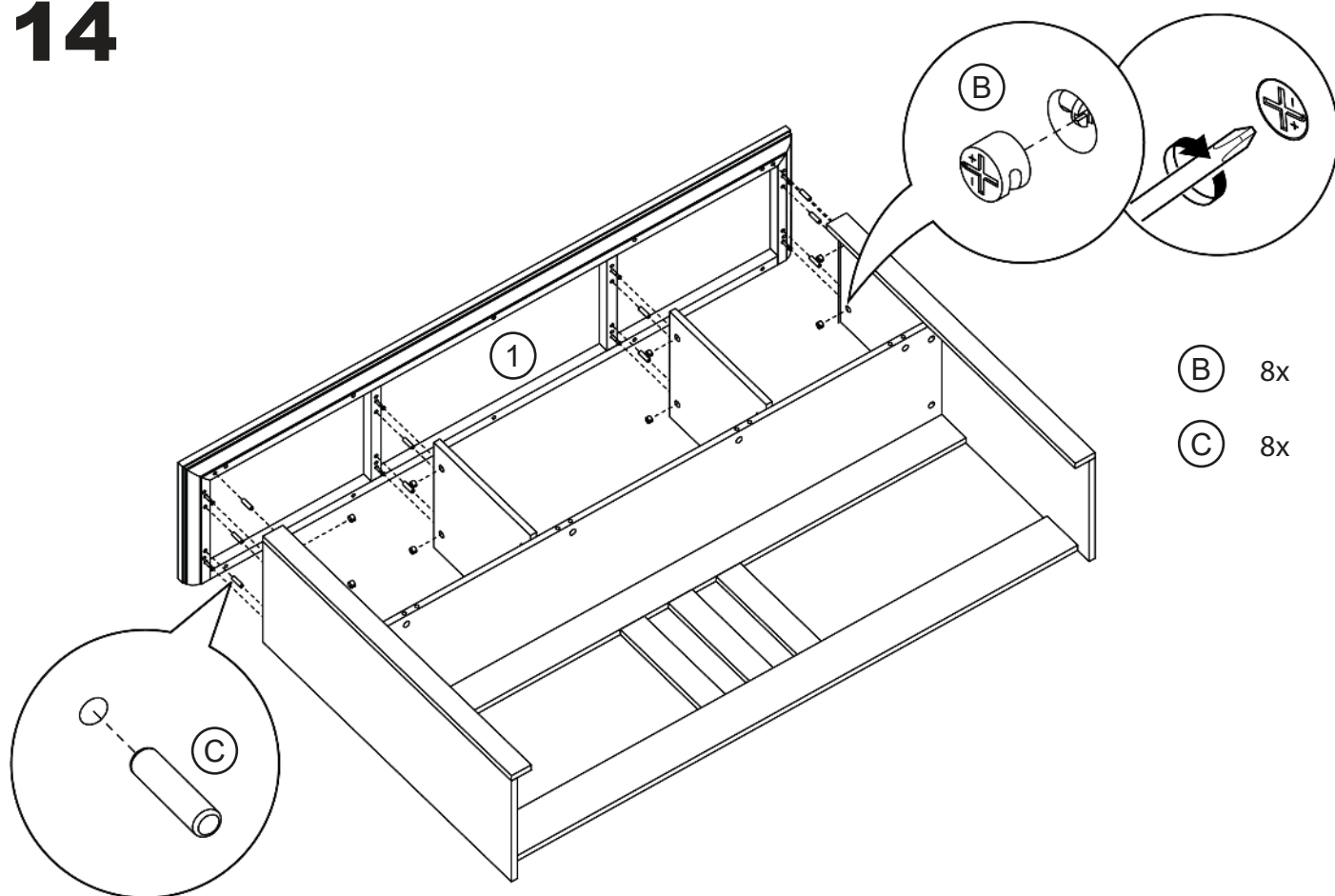
(C) 4x



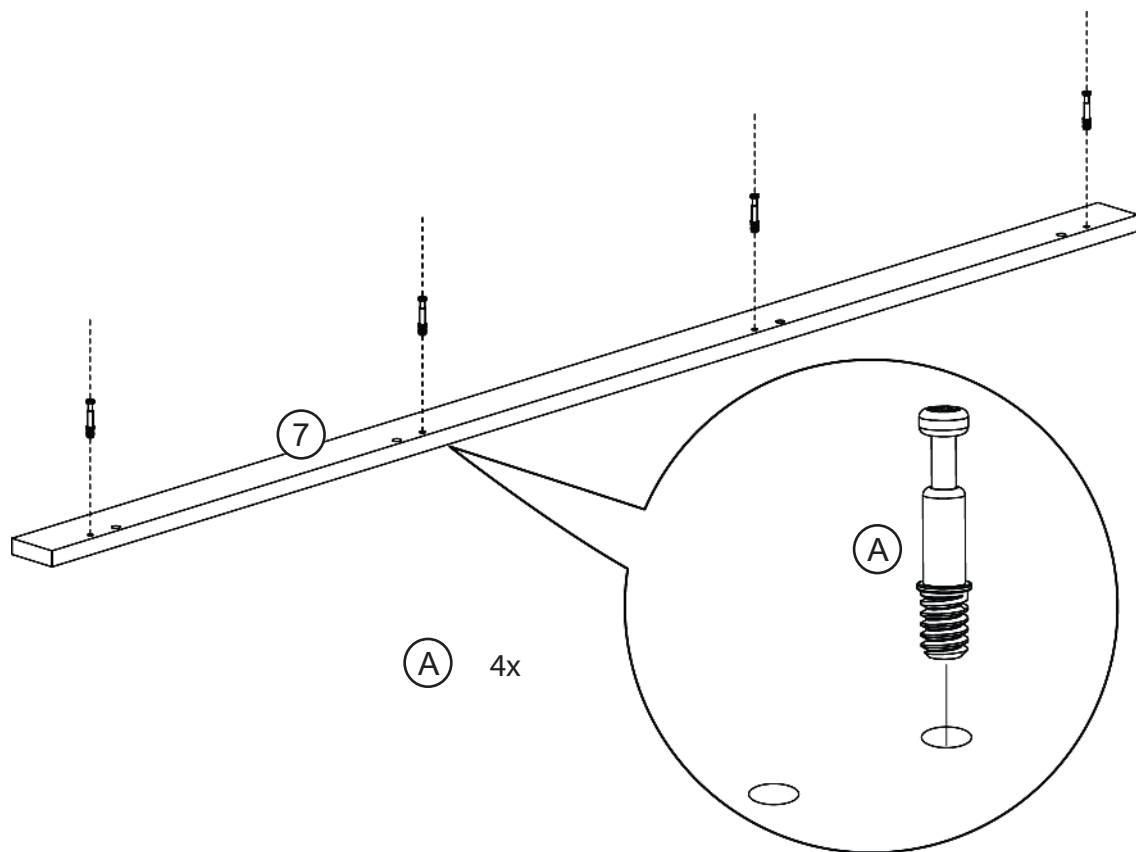
13



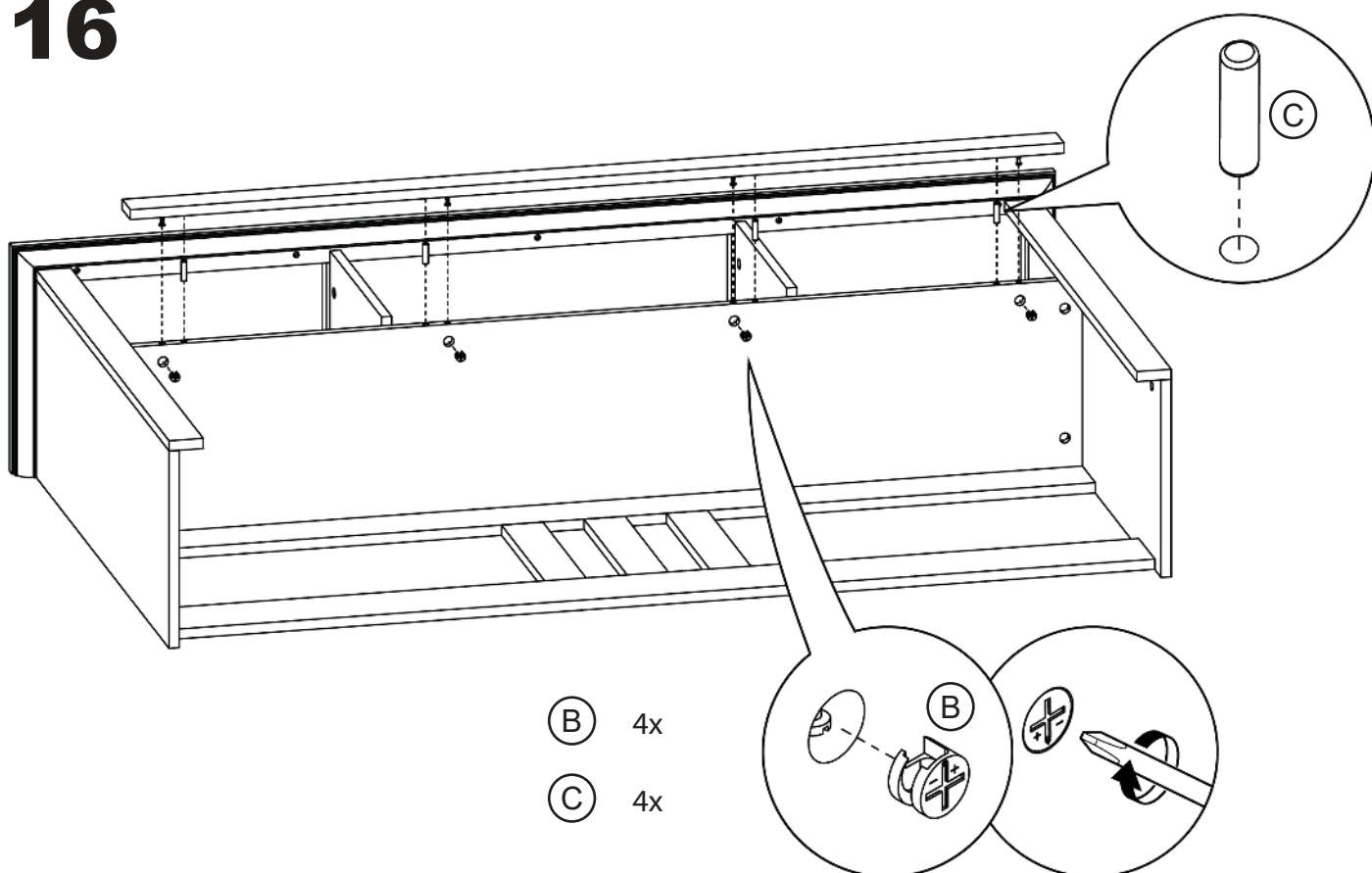
14



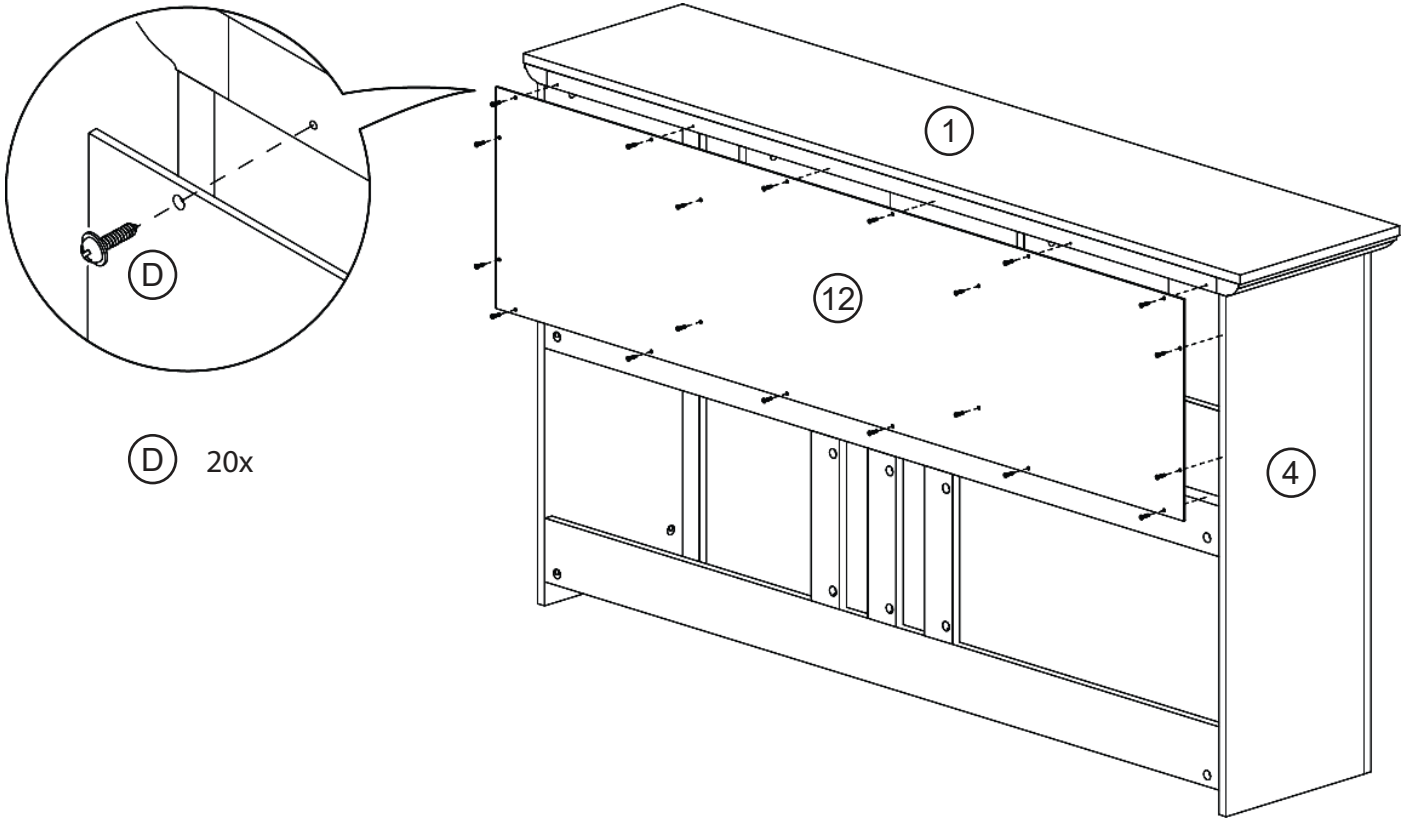
15



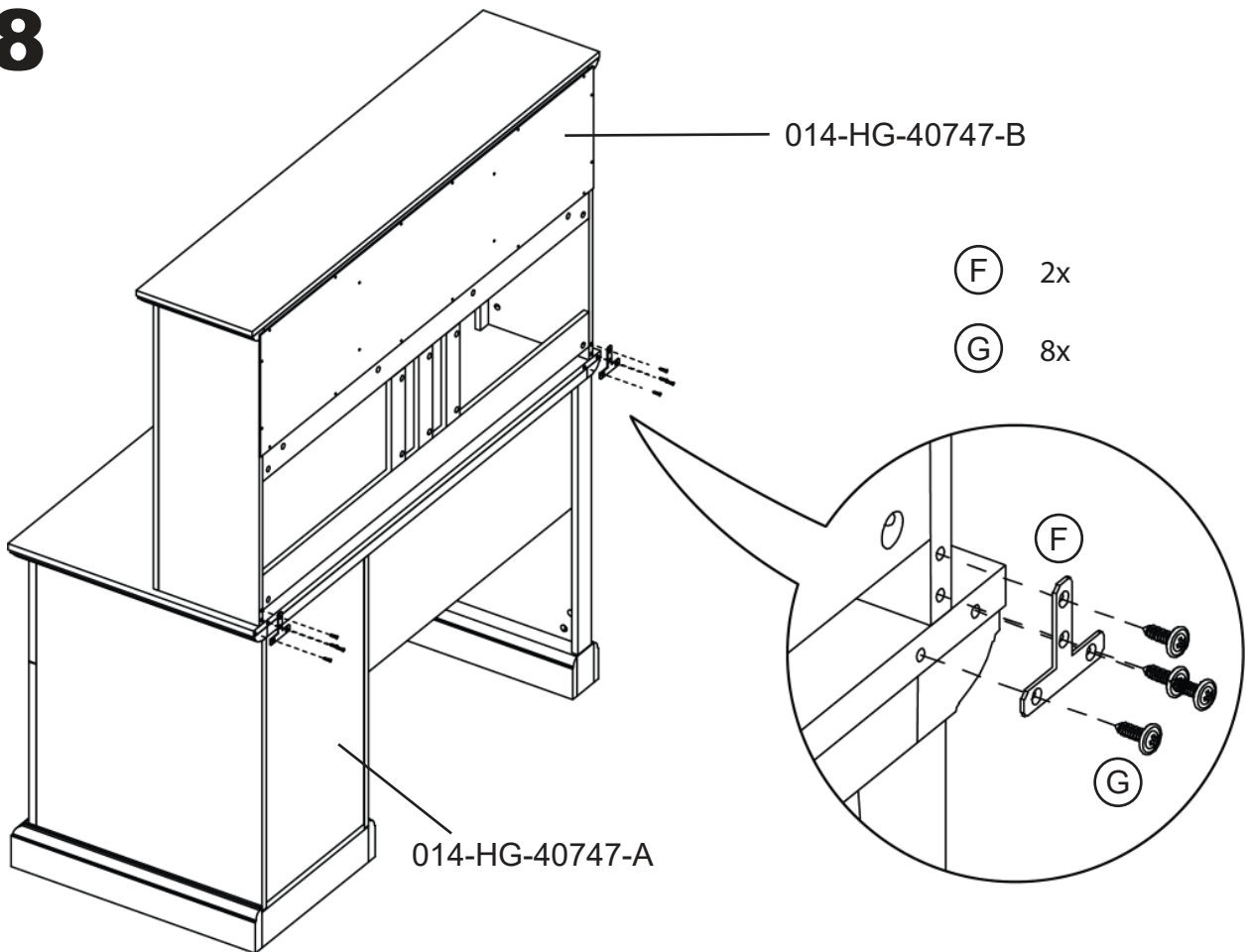
16



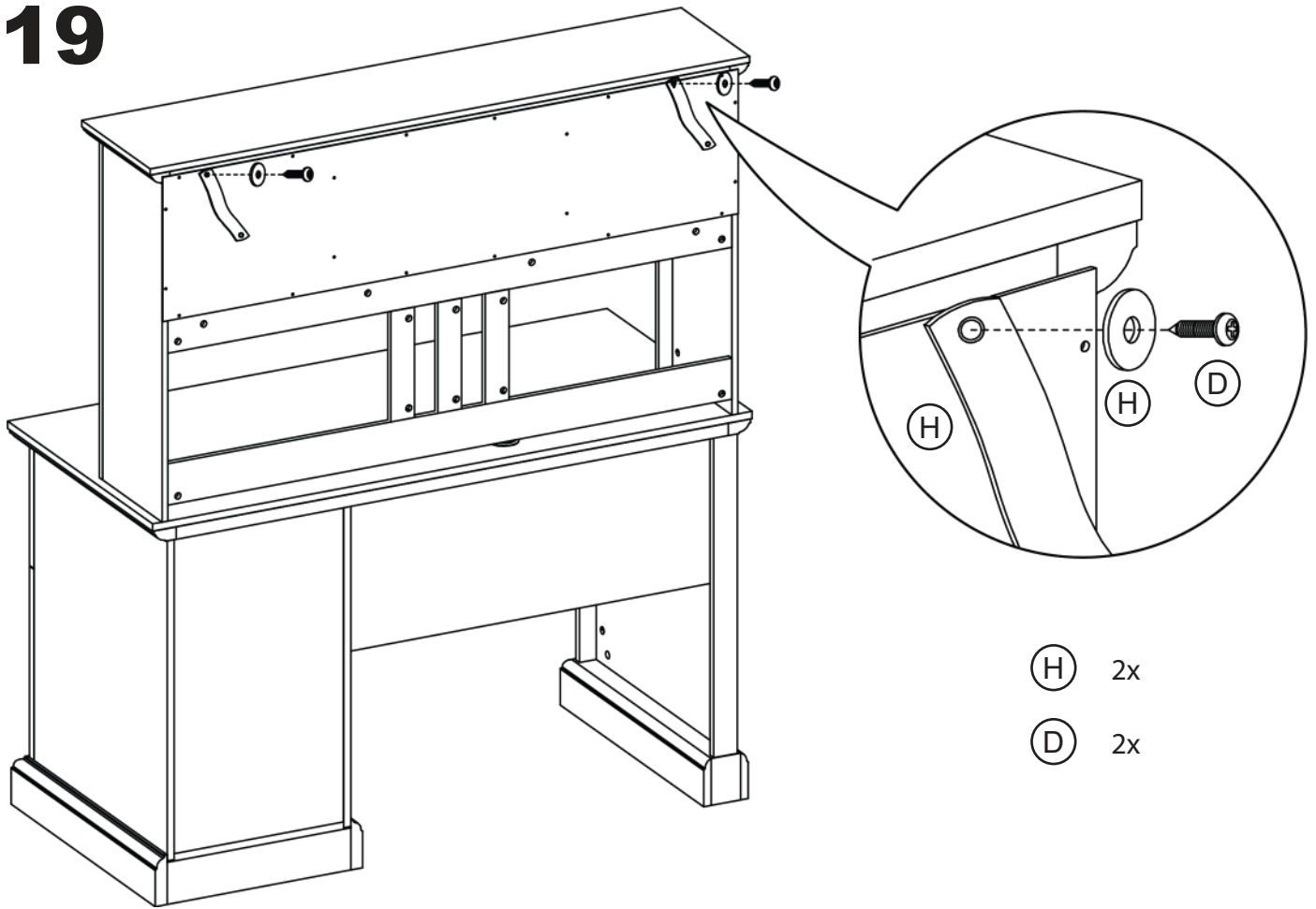
17



18



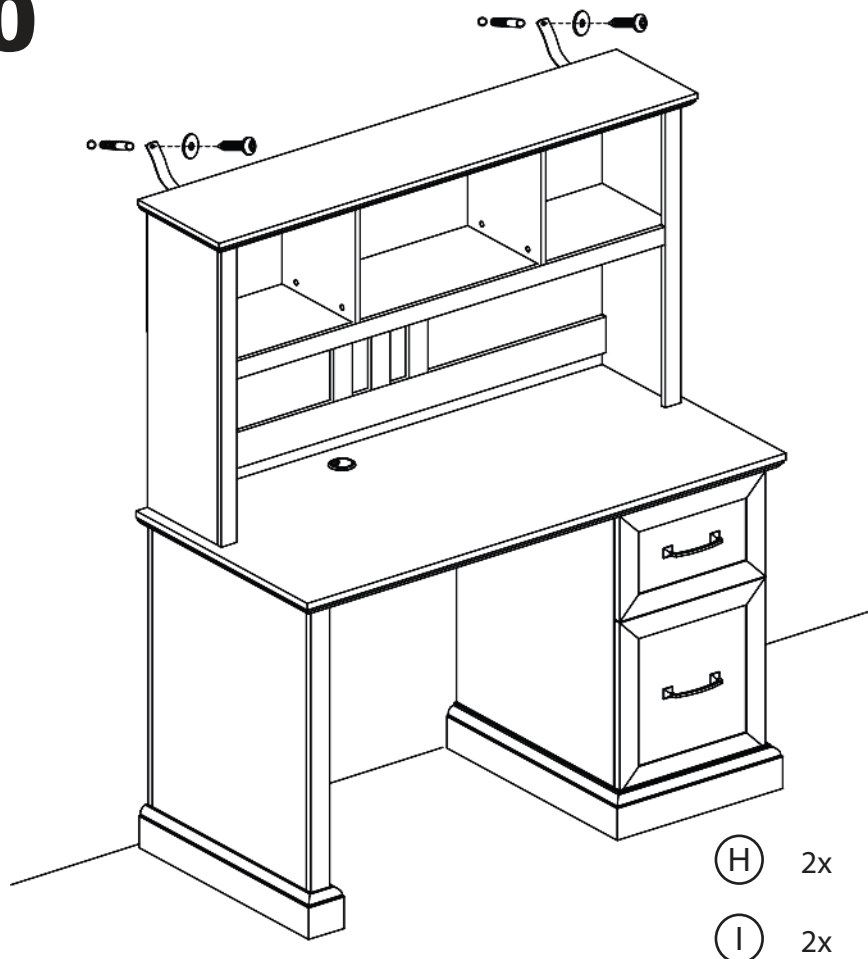
19



(H) 2x

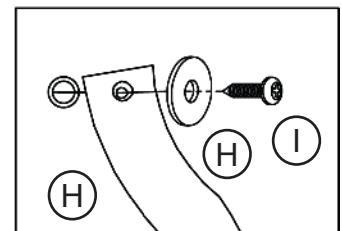
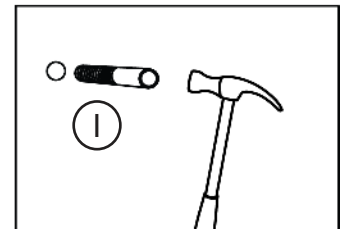
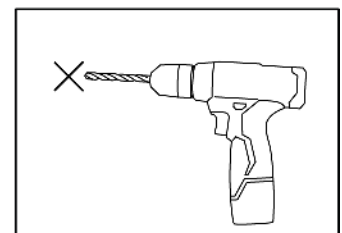
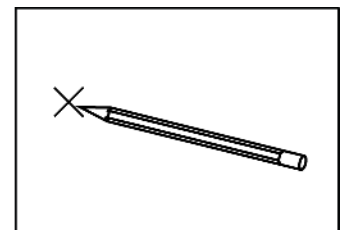
(D) 2x

20



(H) 2x

(I) 2x



BELLEZE®

ELEGANTLY MODERN AT HOME

FURNITURE CARE AND MAINTENANCE

Medium - Density Fiberboard

Thank you for your purchase. We want your item to last as long as possible. To ensure the product gives you years of service, please refer to this care and maintenance guide.



MAINTENANCE

- Tighten all bolts and screws again within the first 2 weeks of assembly.
- Check the tightness of all bolts every 2 months, tighten them if necessary.



CLEANING

- Clean the surface of the MDF (medium - density fiberboard) with a lightly dampened cloth.
- Small amount of mild soap can be used if necessary.
- Dry the surface immediately after cleaning.

- ⚠ DO NOT use bleach or alcohol detergent to clean the surface.
- ⚠ DO NOT apply wood treatment on parts made with MDF.

Medium - density fiberboard will swell and distort when suffer from water damage. Make sure to dry the furniture immediately after cleaning.

⚠ WARNING

Manufacturer and seller expressly disclaim any and all liability for personal injury, property damage or loss, whether direct, indirect, or incidental, resulting from the incorrect attachment, improper use, inadequate maintenance, unapproved modification, or neglect of this product.

Warranty

Belleze products come with a 1 year warranty from the date of delivery.

In any event that the product arrives damaged or missing parts, we are more than happy to provide you with replacement part(s).

Register your product on our website to enjoy extended warranty!!



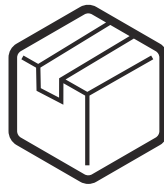
Easy Return

We work hard to make sure order arrives safe and secure, but rest assured we will take care of it if it is not up to standard. If you need replacement parts,

Contact us at **1-800-682-6376** or email us at **support@belleze.com** we will send you replacements with no hassle.



Contact Us



Replacement



You

You don't have to worry about re-packaging / schedule pick-up.

We hope you enjoy your new Belleze furniture!
Share your photos on Instagram and tag us @bellezefurniture.

FOLLOW US:



@bellezefurniture

CONTACT INFO:

support@belleze.com
1-800-682-6376

BELLEZE[®]
ELEGANTLY MODERN AT HOME