

## Installation Instructions. Powertron Flood Light Code: 11330/1/2

Read these instructions before installation and retain for future reference

This equipment should be installed by a competent electrician



### Important Information

We recommend that luminaires are installed by a qualified electrician ensuring the installation complies with current IEE wiring regulations BS7671:2018 & local building control..

- BELL will not accept responsibility for any claims arising from a poor installation.
- IP66

This product may contain substances that can be hazardous to the environment if not disposed of properly. Electrical and electronic equipment should never be disposed of with general household waste but must be separated for its correct treatment and recovery.

Where possible recycle your packaging.



600W



1200W



1800W



Technical Helpline +44 (0)1924 893380

[www.belllighting.co.uk](http://www.belllighting.co.uk)

British Electric Lamps Ltd  
BELL House, Foxbridge Way, Normanton Industrial Estate  
Normanton, West Yorkshire. WF6 1TN

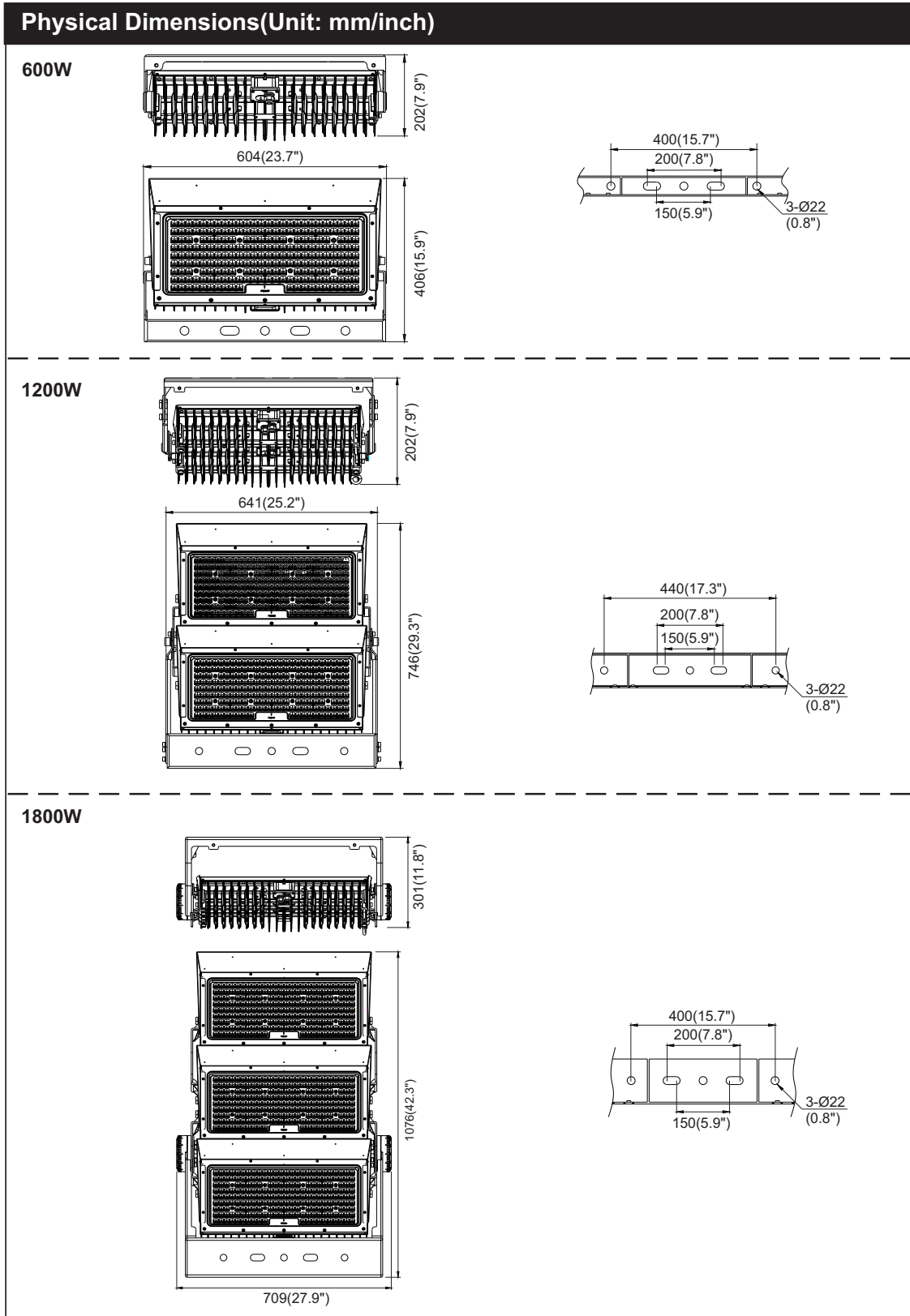
T: +44 (0)1924 893380 F: +44 (0)1924 894320 E: [sales@belllighting.co.uk](mailto:sales@belllighting.co.uk)

[www.belllighting.co.uk](http://www.belllighting.co.uk)

## Installation Instructions. Powertron Flood Light Code: 11330/1/2

Read these instructions before installation and retain for future reference

This equipment should be installed by a competent electrician



Technical Helpline +44 (0)1924 893380

[www.belllighting.co.uk](http://www.belllighting.co.uk)

British Electric Lamps Ltd  
 BELL House, Foxbridge Way, Normanton Industrial Estate  
 Normanton, West Yorkshire. WF6 1TN

T: +44 (0)1924 893380 F: +44 (0)1924 894320 E: [sales@belllighting.co.uk](mailto:sales@belllighting.co.uk)

[www.belllighting.co.uk](http://www.belllighting.co.uk)

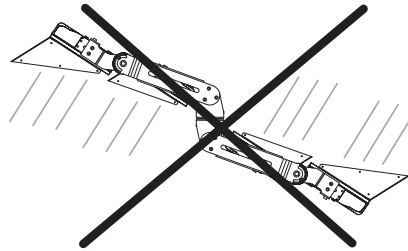
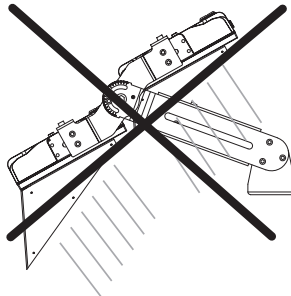
## Installation Instructions. Powertron Flood Light Code: 11330/1/2

Read these instructions before installation and retain for future reference

This equipment should be installed by a competent electrician

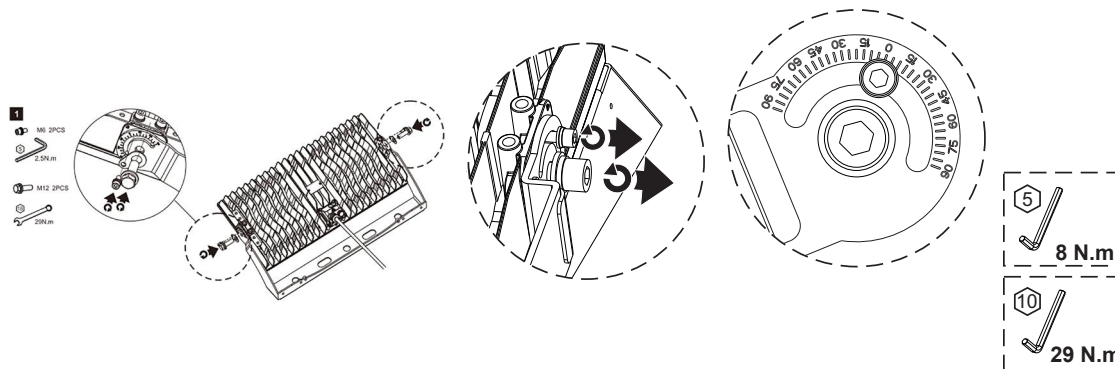


### Positions Not Allowed

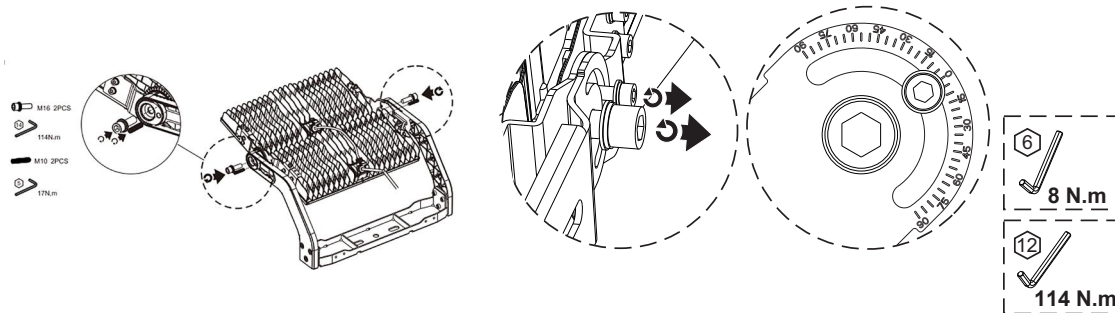


### Rotatable Angle

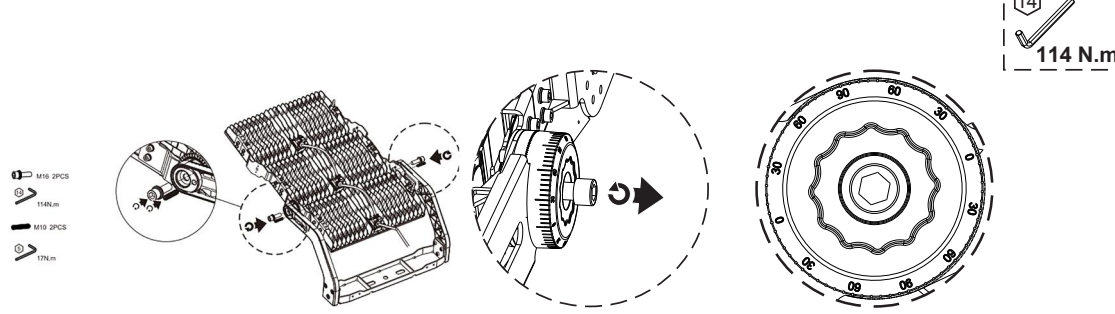
#### 600W



#### 1200W



#### 1800W



## Installation Instructions. Powertron Flood Light Code: 11330/1/2

Read these instructions before installation and retain for future reference

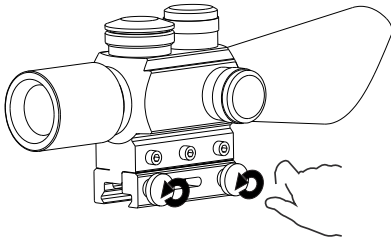
This equipment should be installed by a competent electrician



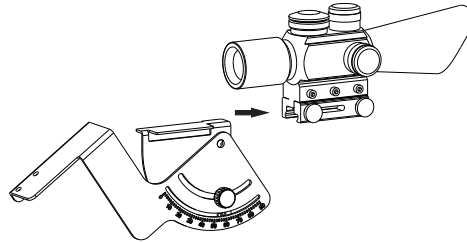
### Laser Device Mount

\* Laser device and its bracket need to be purchased separately, and different optic lens need to use different angle of laser bracket.

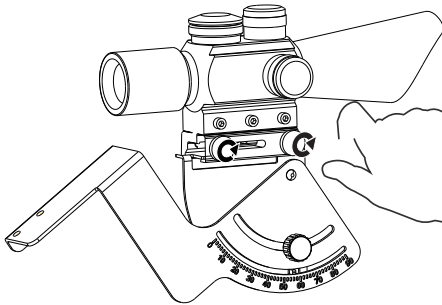
1. ✂



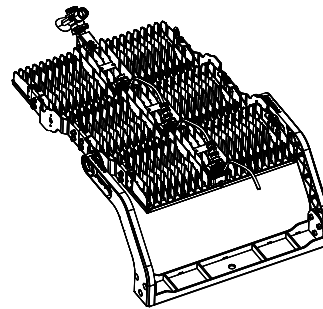
2. ✂



3. ✂



4. ✂

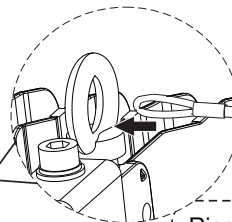
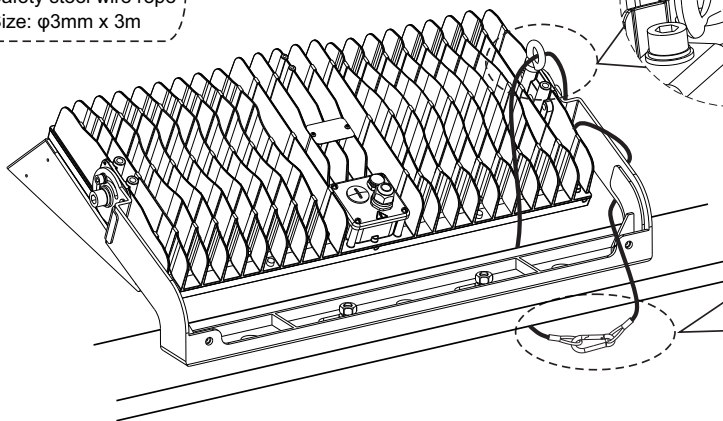


### Safety Rope Mount

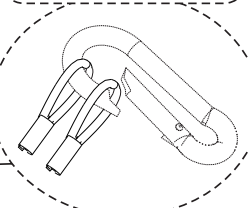
600W



Safety steel wire rope  
Size:  $\phi 3\text{mm} \times 3\text{m}$



Rigging keychain  
Size:  $\phi 8\text{mm} \times 80\text{mm}$



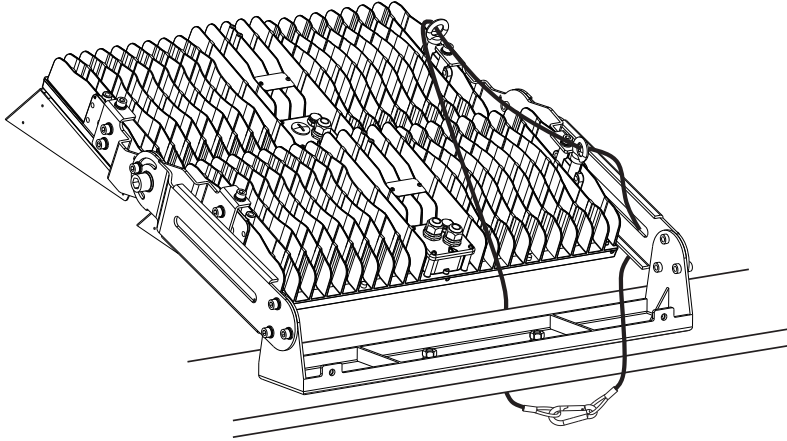
## Installation Instructions. Powertron Flood Light Code: 11330/1/2

Read these instructions before installation and retain for future reference

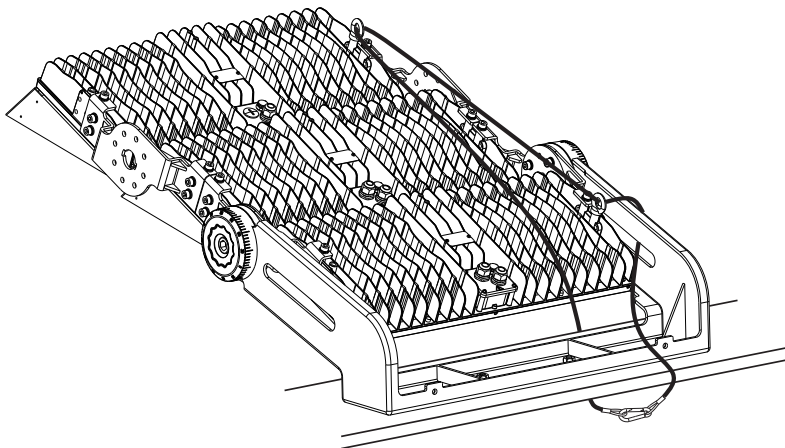
This equipment should be installed by a competent electrician



1200W

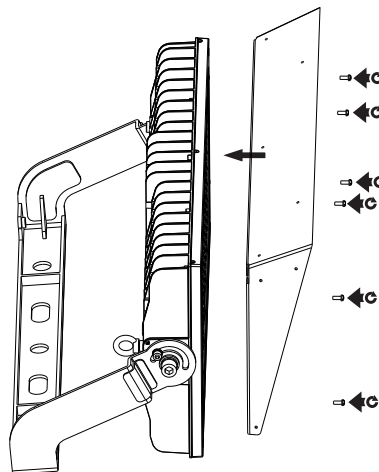


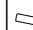


1800W



### Visor Mount

1. 



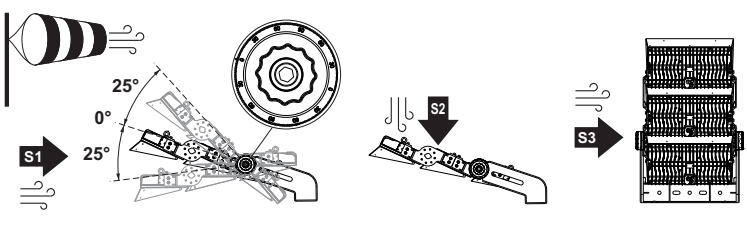
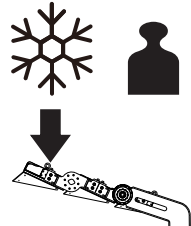
 M4  
 6PCS  
 1.2 N.m

## Installation Instructions. Powertron Flood Light Code: 11330/1/2

Read these instructions before installation and retain for future reference

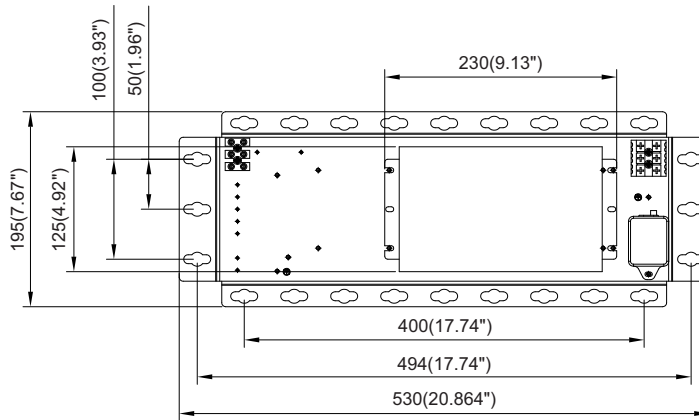
This equipment should be installed by a competent electrician



EPA (Unit: mm/ inch)						
	S	a	a=25° (upward tilt)	a=0°		a=25° (downward tilt)
<b>600W</b>	S1		0.16m <sup>2</sup> /1.71ft <sup>2</sup>	0.12m <sup>2</sup> /1.19ft <sup>2</sup>	0.12m <sup>2</sup> /1.71ft <sup>2</sup>	<65kg
	S2		0.21m <sup>2</sup> /2.20ft <sup>2</sup>	0.23m <sup>2</sup> /2.36ft <sup>2</sup>	0.21m <sup>2</sup> /2.20ft <sup>2</sup>	
	S3		0.05m <sup>2</sup> /0.65ft <sup>2</sup>	0.05m <sup>2</sup> /0.65ft <sup>2</sup>	0.05m <sup>2</sup> /0.65ft <sup>2</sup>	
<b>1200W</b>	S1		0.30m <sup>2</sup> /3.06ft <sup>2</sup>	0.17m <sup>2</sup> /1.71ft <sup>2</sup>	0.16m <sup>2</sup> /1.51ft <sup>2</sup>	<115kg
	S2		0.38m <sup>2</sup> /3.93ft <sup>2</sup>	0.45m <sup>2</sup> /4.56ft <sup>2</sup>	0.43m <sup>2</sup> /4.42ft <sup>2</sup>	
	S3		0.10m <sup>2</sup> /1.63ft <sup>2</sup>	0.10m <sup>2</sup> /2.10ft <sup>2</sup>	0.10m <sup>2</sup> /1.71ft <sup>2</sup>	
<b>1800W</b>	S1		0.44m <sup>2</sup> /3.81ft <sup>2</sup>	0.23m <sup>2</sup> /1.19ft <sup>2</sup>	0.20m <sup>2</sup> /2.88ft <sup>2</sup>	<170kg
	S2		0.55m <sup>2</sup> /5.97ft <sup>2</sup>	0.66m <sup>2</sup> /6.62ft <sup>2</sup>	0.65m <sup>2</sup> /6.11ft <sup>2</sup>	
	S3		0.15m <sup>2</sup> /3.81ft <sup>2</sup>	0.15m <sup>2</sup> /1.19ft <sup>2</sup>	0.15m <sup>2</sup> /2.77ft <sup>2</sup>	

### Gear Tray(Unit: mm/inch)

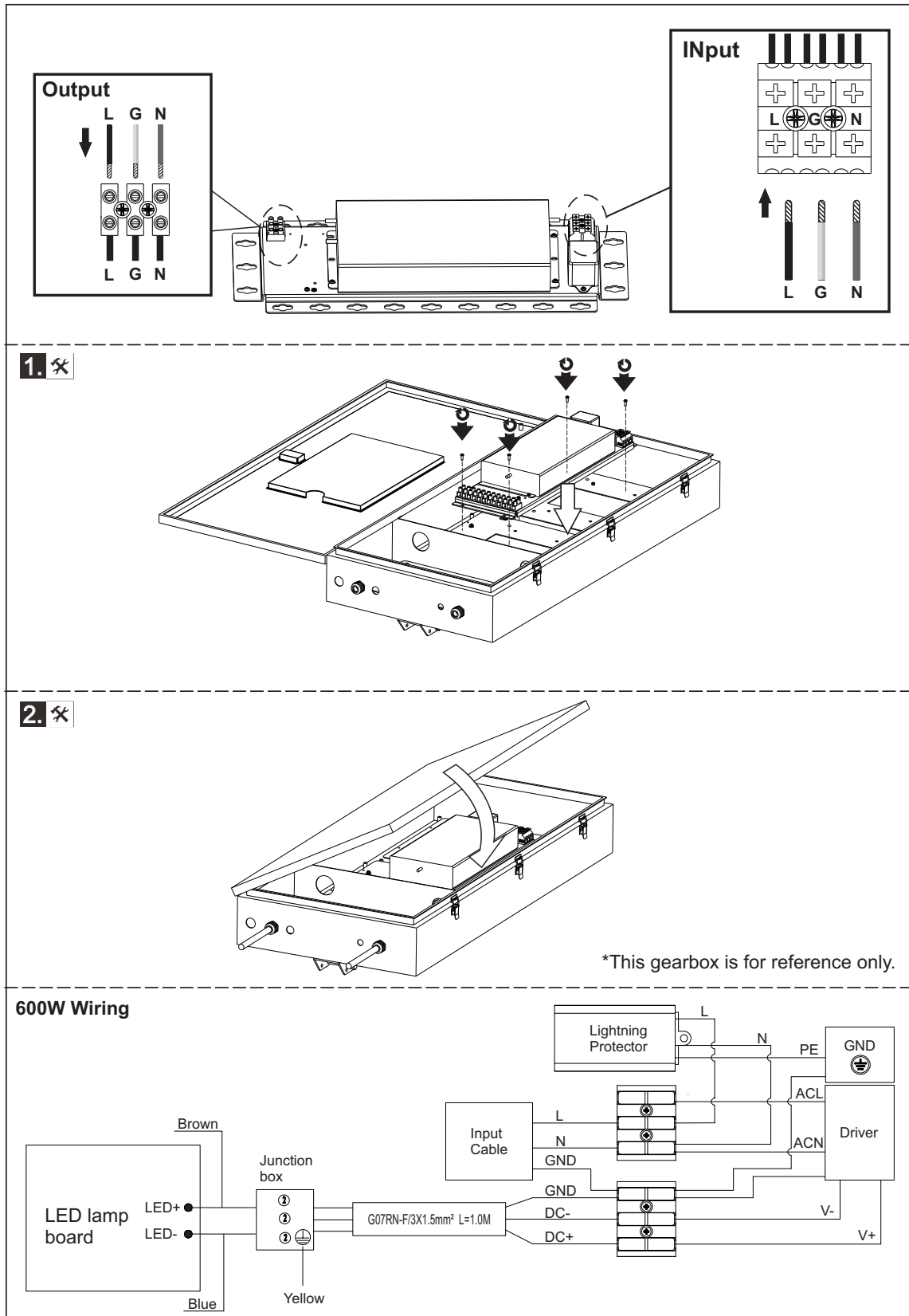
600W



# Installation Instructions. Powertron Flood Light Code: 11330/1/2

Read these instructions before installation and retain for future reference

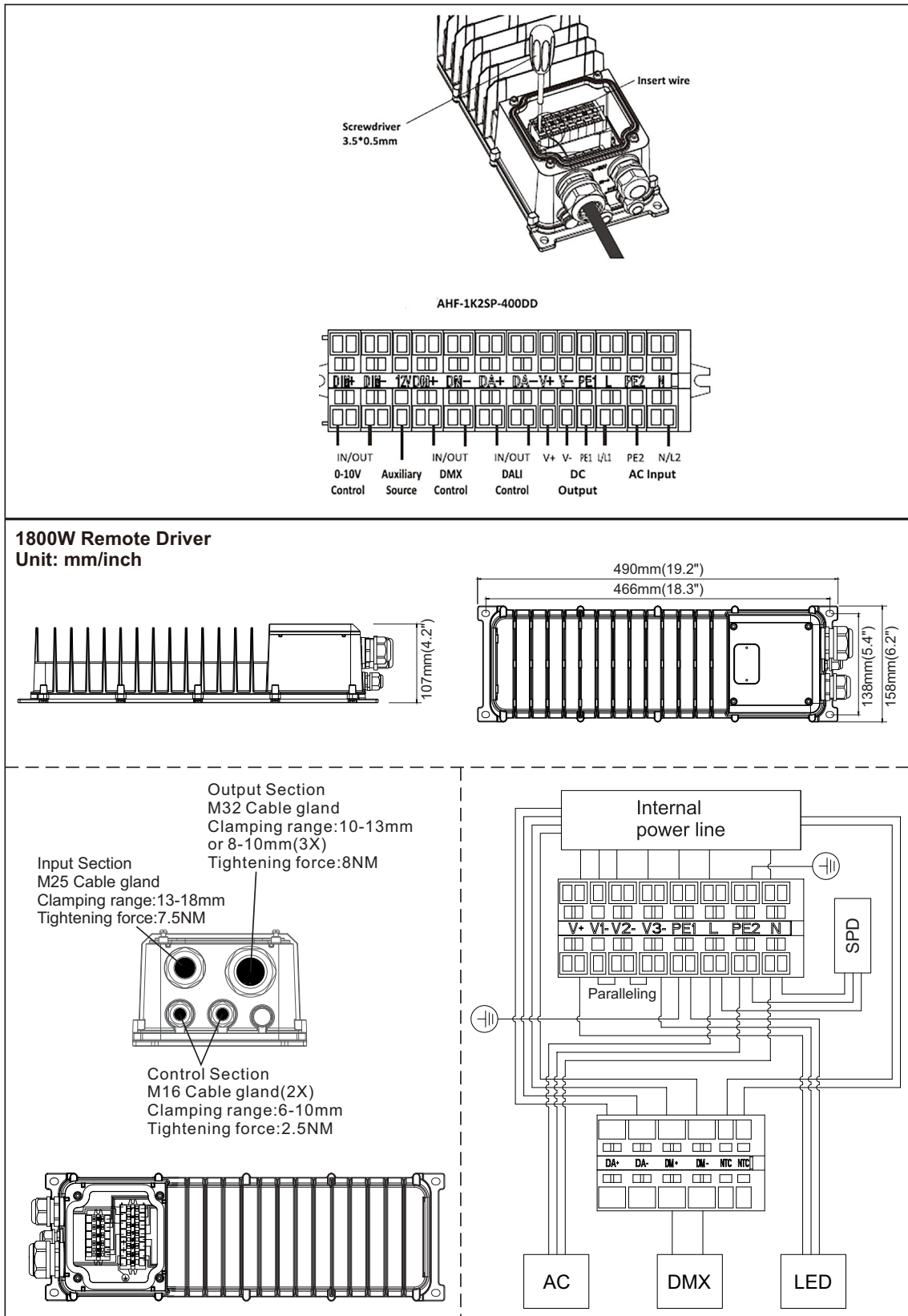
This equipment should be installed by a competent electrician



# Installation Instructions. Powertron Flood Light Code: 11330/1/2

Read these instructions before installation and retain for future reference

This equipment should be installed by a competent electrician



Technical Helpline +44 (0)1924 893380

www.belllighting.co.uk

British Electric Lamps Ltd  
 BELL House, Foxbridge Way, Normanton Industrial Estate  
 Normanton, West Yorkshire. WF6 1TN

T: +44 (0)1924 893380 F: +44 (0)1924 894320 E: sales@belllighting.co.uk

www.belllighting.co.uk

## Installation Instructions. Powertron Flood Light Code: 11330/1/2

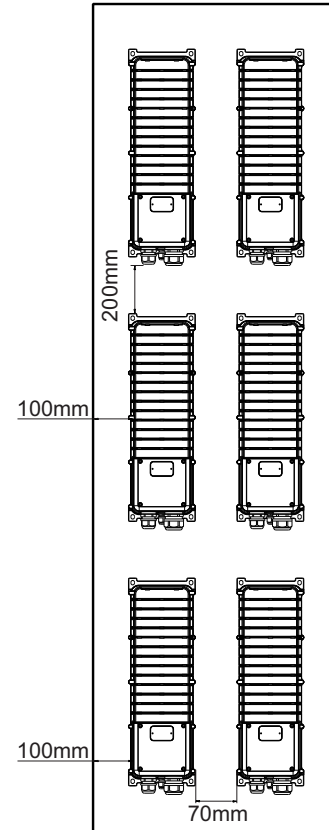
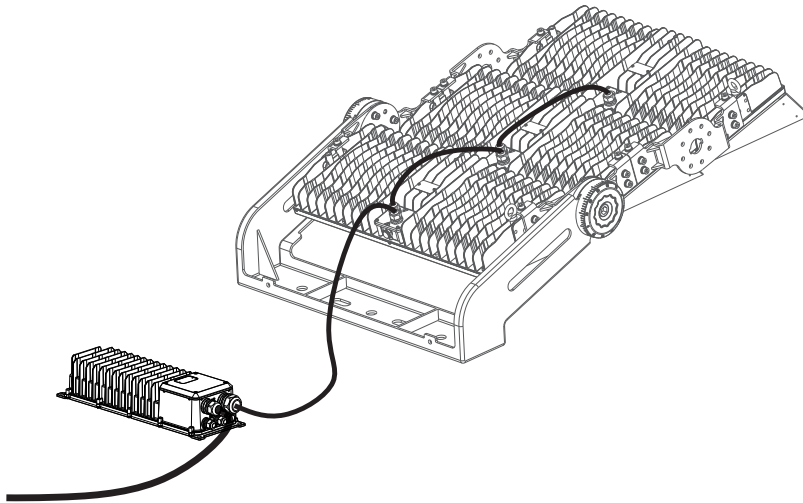
Read these instructions before installation and retain for future reference

This equipment should be installed by a competent electrician



### Clearance Distance

When the gear trays or remote drivers are installed in a confined space, the minimum installation clearance must be ensured. Make sure that the measured temperature (5 cm far away from the each other) is not higher than the Ta max temperature of the lamp. Please refer to the distance instruction on the right.



Lamp Type	MCB Type	Input Voltage	Quantity
600W	MCB B 16 Type	220-277V	3
	MCB B 32 Type	220-277V	6
	MCB C 16 Type	220-277V	3
	MCB C 32 Type	220-277V	7

Lamp Type	MCB Type	Input Voltage	Quantity
1200W	MCB B 16 Type	200-277V	1
	MCB B 32 Type	200-277V	3
	MCB C 16 Type	200-277V	1
	MCB C 32 Type	200-277V	3

Lamp Type	MCB Type	Input Voltage	Quantity
1800W	MCB B 16 Type	200-420V	1
	MCB B 32 Type	200-420V	3
	MCB C 16 Type	200-420V	1
	MCB C 32 Type	200-420V	3

\* Maximum number of luminaires connected.  
Disclaimer: It's for reference only. The quantity of luminaires per circuit breaker must be based on the electrical design that is approved by qualified electrical system design engineer.