

Read these instructions before installation and retain for future reference
This equipment should be installed by a competent electrician



Important Information

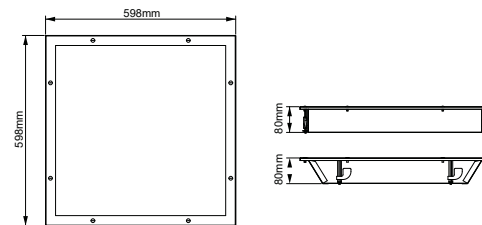
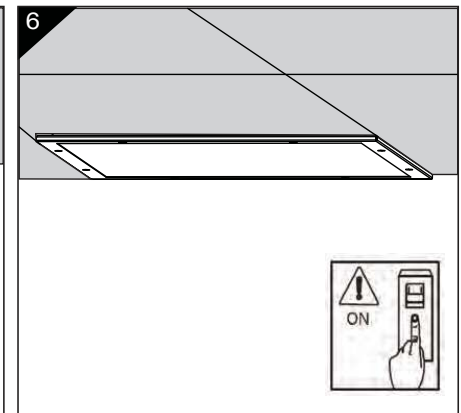
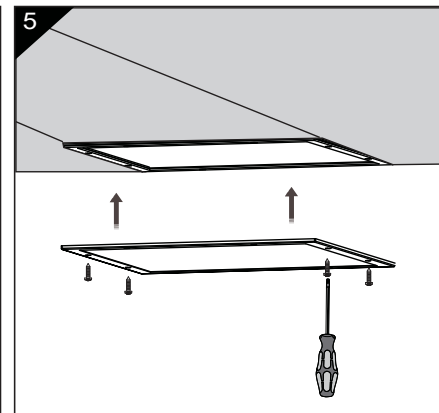
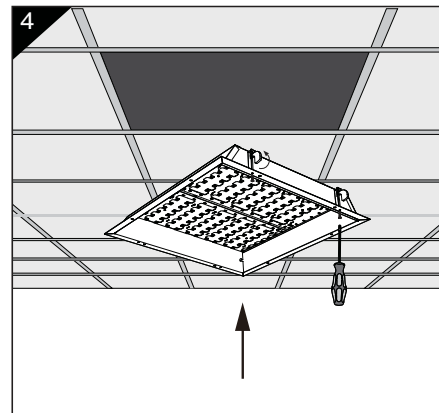
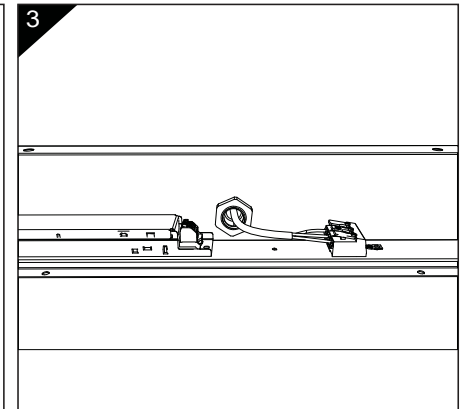
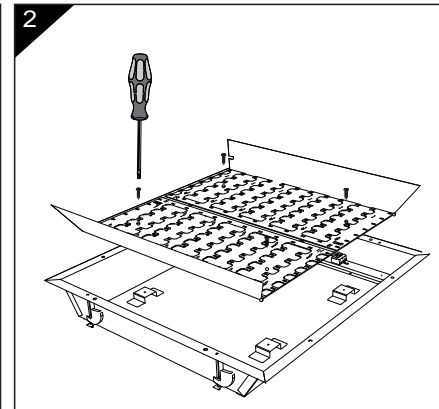
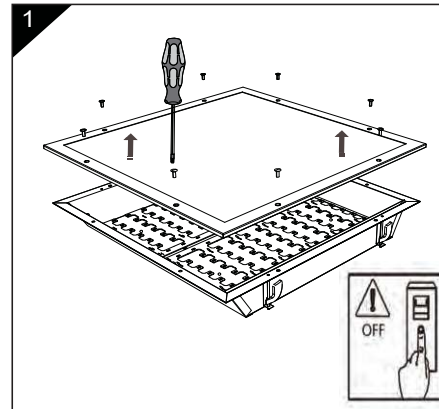
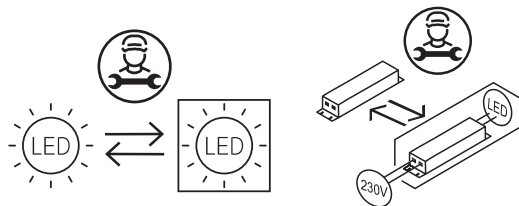
We recommend that luminaires are installed by a qualified electrician ensuring the installation complies with current IEE wiring regulations BS7671:2018 & local building control.

- All tests should be carried out in accordance to EN 50172:2004.
- BELL will not accept responsibility for any claims arising from poor installation.

Important User Advice

- The ambient room temperature should not exceed 35°C.
- Ensure that there is adequate free air ventilation around the fitting.
- Always switch off mains supply before installing.

This product may contain substances that can be hazardous to the environment if not disposed of properly. Electrical and electronic equipment should never be disposed of with general household waste but must be separated for its correct treatment and recovery. Where possible recycle your packaging.



TECHNICAL FEATURES

Un: 230-240V
 fn =50Hz
 Pn =22W-31W
 Power supply: 220-240V
 Degree of protection: IP65
 Insulation class: I

