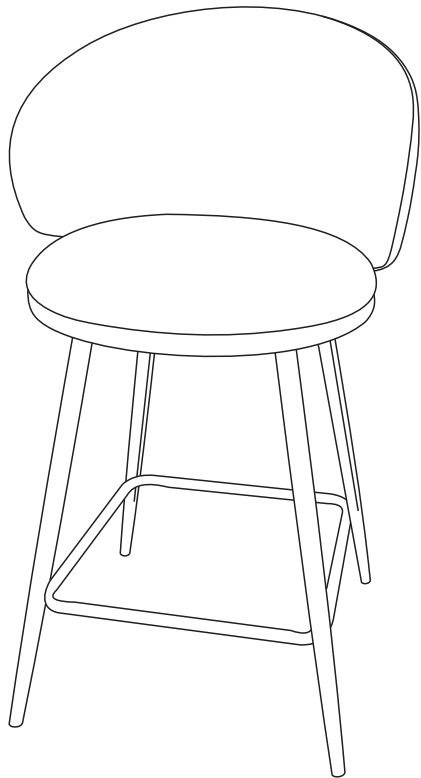



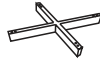


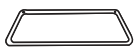
# ASSEMBLY INSTRUCTION

## Counter/Bar stools








SKU:08FTC0085



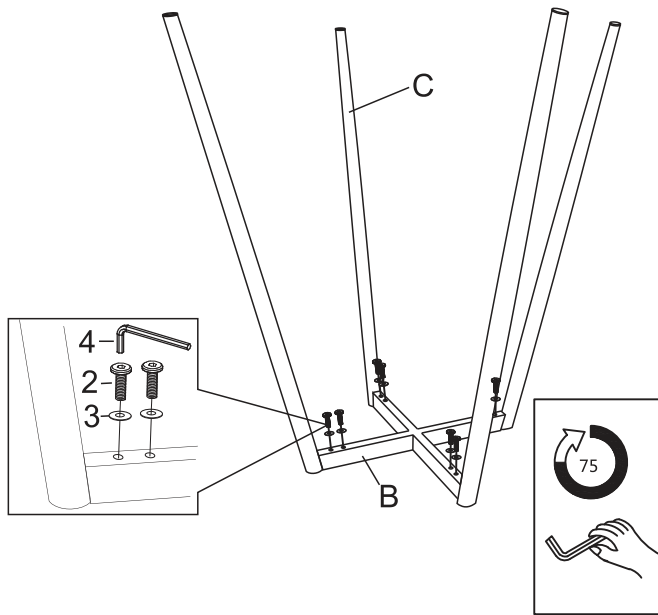
## Component List

| LABEL |   | DESCRIPTION | QTY |
|-------|---|-------------|-----|
| A     |  | Back        | 1   |
| B     |  | Leg         | 1   |
| C     |  | Leg         | 4   |
| D     |  | Turntable   | 1   |
| E     |  | Pedal       | 1   |
|       |   |             |     |
|       |   |             |     |

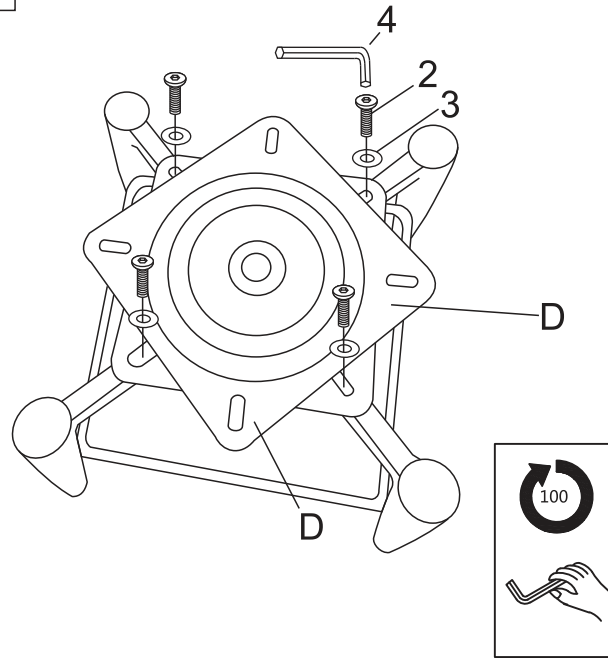
## Hardware List

| LABEL |   | DESCRIPTION           | QTY |
|-------|---|-----------------------|-----|
| 1     |    | Bolts<br>M6x25mm      | 5   |
| 2     |   | Bolts<br>M6x16mm      | 15  |
| 3     |  | Washer<br>Ø6x15x1.5mm | 17  |
| 4     |  | Allenkey              | 1   |
| 5     |  | Fool                  | 5   |
| 6     |  | Washer                | 3   |
| 7     |  | Bolts<br>M6x28mm      | 3   |
|       |   |                       |     |
|       |   |                       |     |

1



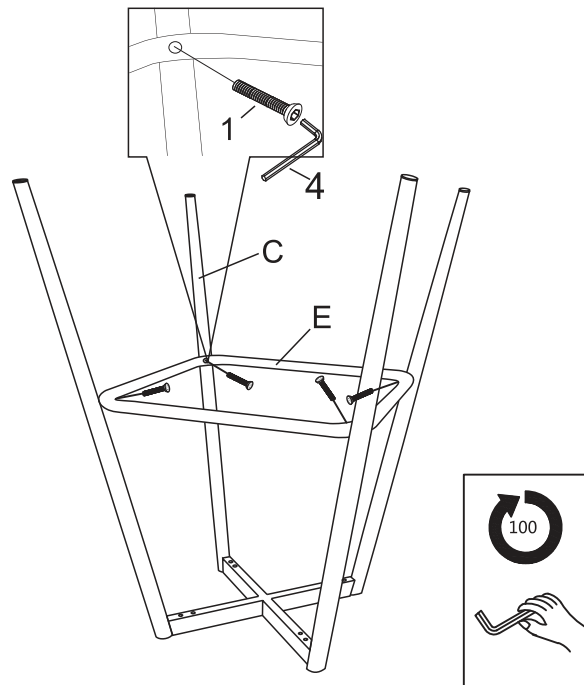
3



5

Ensure that each screw is tightened

2



4

