

INSTRUCTION MANUAL

VIKING 8000



Read before using

TABLE OF CONTENTS

Introduction	3
Description	4
Technical Specifications	6
Solutions to potential problems	8

[f/Bandaaudioparts](#) [t/banda_audioparts](#) [@BandaAudiopartsOfficial](#)

Visit www.bandaaudioparts.com

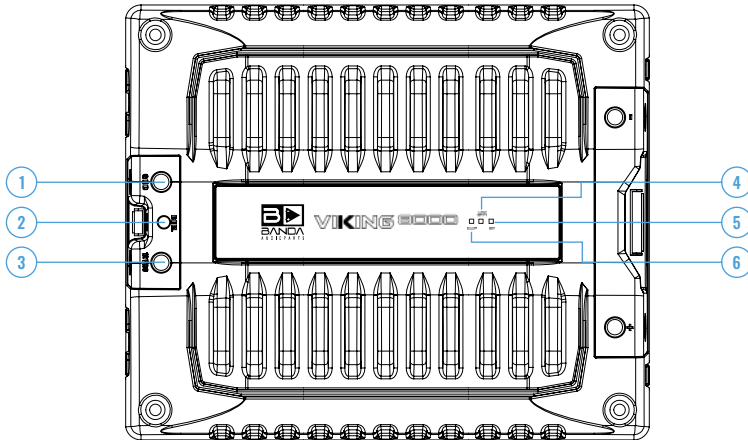


INTRODUCTION

- Congratulations! You have just purchased a product with Banda Audioparts quality. Developed by qualified engineers and in a high-tech laboratory.

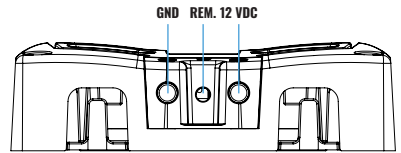
To ensure optimal operation, please read this manual carefully before using the product. Keep the manual in a safe and accessible place for future reference.

DESCRIPTION



POWER UNIT

- 1 **GND INPUT**
Connect to the vehicle chassis (Ground)
- 2 **DRIVE INPUT 12VDC (+)**
Connect electrical antenna (Remote)
- 3 **12VDC POSITIVE INPUT**



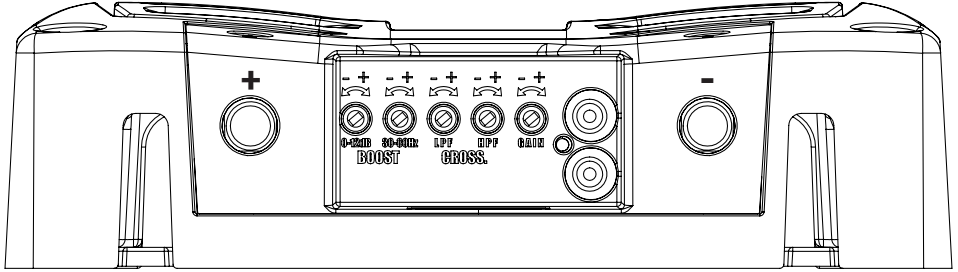
NOTE: USE EXTERNAL FUSE

FRONT PANEL (LEDS)

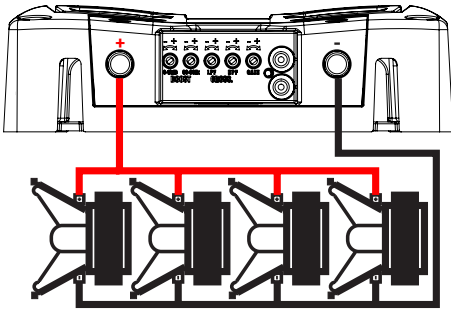
- 4 **Yellow:** Battery voltage below specified (flashing)
- 5 **Blue (ON):** ON
- 6 **Red (SHORT):** Protection
Output short (check speakers)/Temperature above limit

DESCRIPTION

SIDE



CONNECTION EXAMPLES



VIKING 8000 1ohm

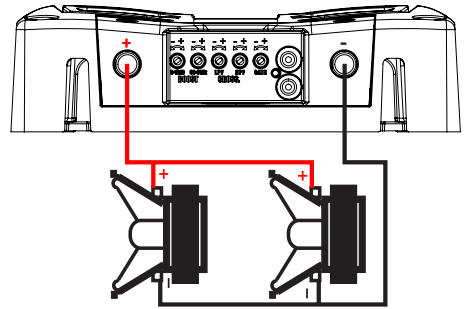
VIKING 8000 2ohms

4 Woofers or
Subwoofers

4 Woofers or
Subwoofers

4 ohms 2000Wrms
each parallel resulting
in 8000Wrms @ 1
ohm

8 ohms 2000Wrms
each parallel resulting
in 8000Wrms @ 2
ohms



VIKING 8000 1ohm

VIKING 8000 2ohms

2 Woofers or
Subwoofers

2 Woofers or
Subwoofers

2 ohms 4000Wrms
each parallel resulting
in 8000Wrms @ 1
ohm

4 ohms 4000 Wrms
each parallel resulting
in 8000Wrms @ 2
ohms



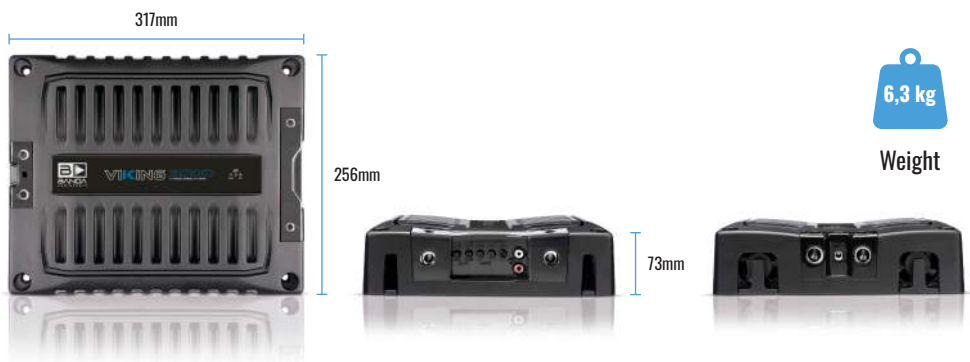
TECHNICAL SPECIFICATIONS

MODEL	VIKING 8000 1ohm	VIKING 8000 2ohms
Maximum Power 14.4v @ 1 Ohm	9000 WRMS	-
Maximum Power 14.4v @ 2 Ohms	7400 WRMS	9000 WRMS
Maximum Power 14.4v @ 4 Ohms	-	6800 WRMS
Maximum Power 14.4v Bridged @ 4 Ohm	-	-
Maximum Power 12.6v @ 1 Ohm	8000 WRMS	-
Maximum Power 12.6v @ 2 Ohms	5100 WRMS	8000 WRMS
Maximum Power 12.6v @ 4 Ohms	-	5100 WRMS
Maximum Power 12.6v Bridged @ 4 Ohm	-	-
Efficiency @ 8 Ohms	-	-
Efficiency @ 4 Ohms	-	88%
Efficiency @ 2 Ohms	83%	79%
Efficiency @ 1 Ohm	77%	-
Input Voltage	9 - 15V	
Input Impedance	100K ohms	
THD maximum power	≈3%	
Input Sensitivity	≈200mV - 8V	≈200mV - 8V
Signal to Noise Ratio	80dB	
Frequency Response (Switch OFF)	-	
Frequency Response	16Hz - 8KHz (-3dB) *nominal impedance	

TECHNICAL SPECIFICATIONS

MODEL	VIKING 8000 1ohm	VIKING 8000 2ohms
Variable Bass Boost	30 - 80Hz @ 12dB	
HPF (Subsonic)	16Hz - 120Hz @ 12dB/oitava Linkwitz-Riley	
LPF (Crossover)	50Hz - 8KHz @ 12dB/oitava Linkwitz-Riley	
Recommended Fuse	2 x 225	
Rest Current	≈3A	
Maximum Current (sine signal)	850A	
Maximum Current (musical signal)	400A	
Power Cables (recommended min.)	70mm / 0 AWG	
Output cables (recommended min)	2 x 6mm / 2 x 3 AWG	

DIMENSIONS



SOLUTIONS TO POTENTIAL PROBLEMS

PROTECTION SYSTEM	PROBLEM	SOLUTION
Blue & Red LED On	Amplifier temperature has reached the operating limit.	Install the appliance in a well-ventilated place and ensure that the ventilation system is not obstructed. The amplifier will return to normal operation as soon as the temperature drops.
Blue LED on and Red flashing with no audio on output	Short circuit in the audio output or impedance of the speakers below the rated impedance of the amplifier.	Make sure that there is no short circuit in the speaker connection cables and that there is no shorted speaker connected to the system, or that the impedance of the speakers is not less than the minimum impedance of the amplifier.
Blue LED on and Red LED flashing as per the music	LED clipping indicating that the distortion in the output is going over 5%.	The system can operate with the amplifier with the Clip LED flashing, but the speakers connected to the output will suffer coil overheating due to Clip distortion.
Flashing Yellow LED	Amplifier input voltage below 9V.	Check the charge of the batteries where the amplifier is connected. In addition, poor contact in the power cables can also generate voltage drops. Check the voltage at the input of the amplifier and the output of the batteries to verify that the voltage drop is not occurring in the cables or connections.
Red LED and Yellow LED on	Problem with the amplifier.	Please refer to our nearest authorized service center.

WARRANTY TERMS

Warranty valid for 12 months (one year), starting from the date of purchase, if purchased from an authorized Banda Audioparts dealer. Will be covered by warranty components and/or parts comprived that shows failures in process manufacture or damaged components.

Warranty don't cover:

1. Equipment, parts or components previously altered by unauthorized people.
2. Damages caused by accidents (fall, crash, etc) or natural disasters (overflow, burning, etc).
3. Improper instalation (improper wiring, abuse, installation out of specifications).
4. Shipping costs

In case needed any repair, contact the dealer for warranty instructions.

ADDRESS:

Banda Audioparts

Rua Manoel Joaquim Filho, 353

Neighborhood: Santa Terezinha

Paulínia - SP

Brazil

Zip Code: 13148-115

NOTE: If out of warranty, repair costs (if needed) will be charged from client.

Phone: 55 (19) 3844-7173

e-mail: banda@bandaaudioparts.com.br

Banda Audioparts reserved rights to alter characteristics of the product without previously advice.

WARRANTY REGISTRATION:

Name:.....

Register:..... Date:..... Phone:.....

Address:.....

Dealer:..... Phone:.....

 /Bandaaudioparts  /banda_audioparts  @BandaAudiopartsOfficial
Visit www.bandaaudioparts.com

