



Jeep Gladiator JT 2020-Up

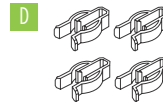
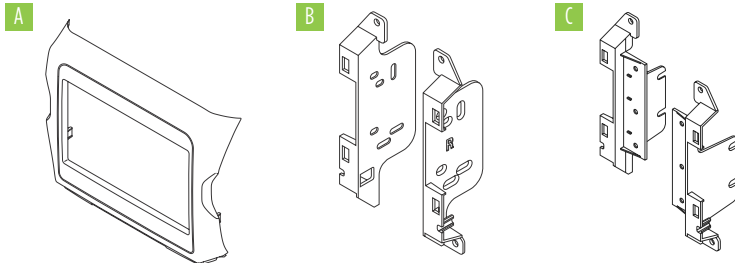
Note: This kit will function in both Single-Zone and Dual-Zone vehicles:

- All HVAC functions will be retained.
- Single-Zone vehicles will only get status feedback of the HVAC functions, while Dual-Zone vehicles can also be controlled through the radio screen.
- Compass is only retained on vehicles equipped with the Uconnect 3 (5" touchscreen).
- The External Speaker is only required in vehicles with safety group features.

Attention! Designed specifically for Pioneer's DMH-W4600NEX/WC4660NEX. Pioneer 9" DMH-WC6600NEX will require the Metra Floating Mount Kit 109-UN02. (sold separately)

KIT COMPONENTS

- A) Radio bezel • B) Shallow mount brackets • C) Modular radio brackets • D) Panel clips (4)



Product Info



TABLE OF CONTENTS

Dash Disassembly	2
Kit Assembly	
- Radio provision	2
- Pioneer Modular DDIN radio provision	3
AXXESS Interface Installation	4-16

Visit [AxxessInterfaces.com](https://www.AxxessInterfaces.com) for up-to-date vehicle specific applications.

WIRING & ANTENNA CONNECTIONS

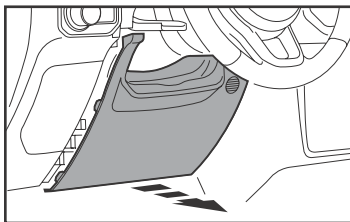
Wiring Harness: Included with Kit
 Antenna Adapter: Included with Kit
 GPS Antenna Adapter: Included with Kit

TOOLS & INSTALLATION ACCESSORIES REQUIRED

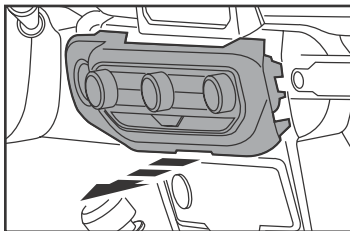
- Panel removal tool • Phillips screwdriver
- Torx screwdriver

DASH DISASSEMBLY

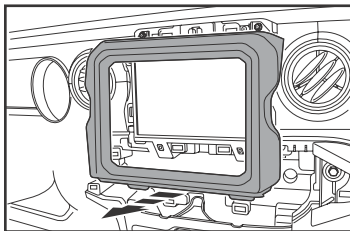
1. Unsnap and remove the panel below the steering column. (Figure A)
2. Using the panel removal tool, carefully unclip the climate control panel, unplug the HVAC and start/stop button, and then set aside. (Figure B)
3. Remove (2) Phillips screws securing the radio trim panel, then, starting at the bottom, unclip and remove the panel. (Figure C)
4. Remove (4) Phillips screws securing the factory radio, disconnect the wiring, and then remove the radio.



(Figure A)



(Figure B)

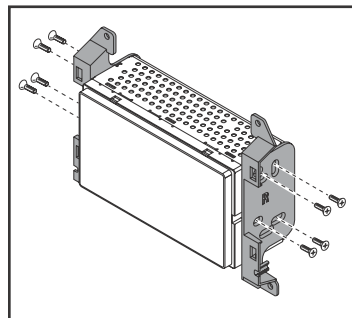


(Figure C)

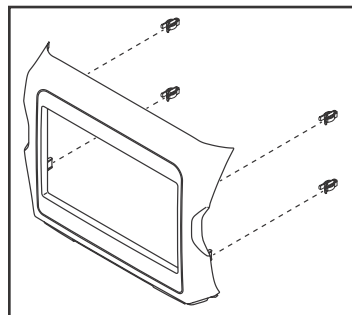
KIT ASSEMBLY

Radio provision

1. Secure the *shallow radio brackets* to the radio using screws supplied with the radio. (Figure A)
2. Locate the factory wiring harness and antenna connector in the dash and complete all necessary connections to the radio. Metra recommends using the proper mating adapter from Metra and/or Axxess.
3. Reconnect the negative battery terminal and test the Pioneer radio for proper operation.
4. Place the radio into the dash, then secure using the factory screws.
5. Attach (4) *panel clips* provided with this kit onto the *radio bezel*, and then snap the bezel over the radio. (Figure B)
6. Reassemble the dash in the reverse order of disassembly to complete the installation.



(Figure A)



(Figure B)

KIT ASSEMBLY

Pioneer Modular DDIN radio provision

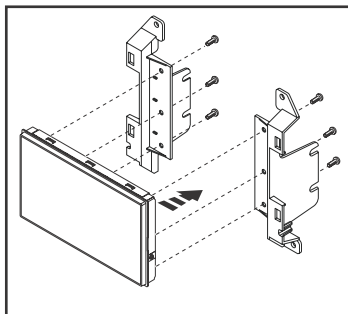
1. Secure the radio display to the *modular radio brackets* using (6) screws supplied with the radio. (Figure A)

Note: Reference the aftermarket radio's installation manual to determine which screws secure the radio display.

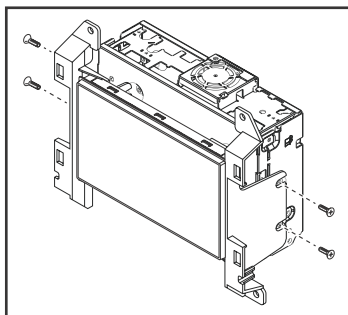
2. Secure the radio chassis to the radio display/bracket assembly using (4) screws supplied with the radio. (Figure B)

Note: Reference the aftermarket radio's installation manual to determine which screws secure the radio chassis.

3. Route the RGB extension cable from the radio chassis to the display screen, then connect the cable to the display screen.

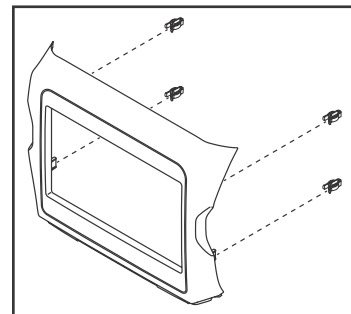


(Figure A)



(Figure B)

4. Locate the factory wiring harness and antenna connector in the dash and complete all necessary connections to the radio. Metra recommends using the proper mating adapter from Metra and/or Axxess.
5. Reconnect the negative battery terminal and test the Pioneer radio for proper operation.
6. Place the radio display into the dash, and then secure using the factory screws.
7. Attach (4) *panel clips* provided with this kit onto the *radio bezel*, then snap the bezel over the radio. (Figure C)
8. Reassemble the dash in the reverse order of disassembly to complete the installation.



(Figure C)

AXXESS INTERFACE INSTALLATION

FEATURES

- Provides accessory power (12-volt 10-amp)
- Retains R.A.P. (Retained Accessory Power)
- Provides NAV outputs (parking brake, reverse, speed sense)
- Allows visual of HVAC and gauges on Pioneer screen
- Allows adjustment of HVAC functions through Pioneer screen (dual zone only)
- Retains audio controls on the steering wheel
- Allows for auto stop/start override (if equipped)
- Works in both Single and Dual-zone vehicles
- Retains safety chimes
- Designed for amplified or non-amplified vehicles
- Micro-B USB updatable
- Allows the retention and adjustment of the OE Personalization Settings
- Plug-n-Play installation
- Designed for Pioneer's DMH-W4600NEX/WC4660NEX
- Painted scratch resistant matte black to match the OE finish
- Includes radio antenna adapter & antenna adapter for GPS
- Includes water resistant -IP68 rated direct OE camera replacement
- Includes a 3' USB/AUX/HDMI® replacement cable with panel

COMPONENTS

- LD-CH5-PIO • LD-CHRYHAZ2T • LD-2PIN-CAN
- Radio interface • Jeep Camera (JP-JTKT) • PR04AVIC-PIO or PR04-PIORCA Harness
- External Speaker • AXUSB-RAM1

TABLE OF CONTENTS

AXUSB-RAM1 Installation	5
Camera Removal.....	6-8
Camera Assembly	9
Wiring	10
USB Replacement & Camera Installation	11
Interface Installation	12
Dash Assembly.....	13
Radio Operation	14-15
Specifications	16

TOOLS REQUIRED

- Crimping tool and connectors, or solder gun, solder, and heat shrink
- Tape • Wire cutter • Zip-ties

AXUSB-RAM1 INSTALLATION

1. Remove (1) Phillips screw located above the window switches. (Figure A-1, B-1)
2. Using a panel removal tool, unclip the entire instrument panel trim. (Figure B-2)
3. Disconnect the wiring harness connector, then unclip and remove the Media Hub from the backside of the panel. (Figure C-1)
4. Plug in the AXUSB-RAM1 and route the harness to the radio location.
Note: A Micro HDMI to HDMI cable (sold separately) is necessary, if HDMI input is desired.

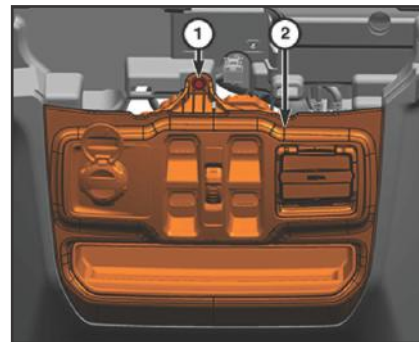
Attention! USB Type-C adapter may be necessary. This is supplied with the Pioneer Radio.

Note: Refer to the Pioneer Radio installation manual.

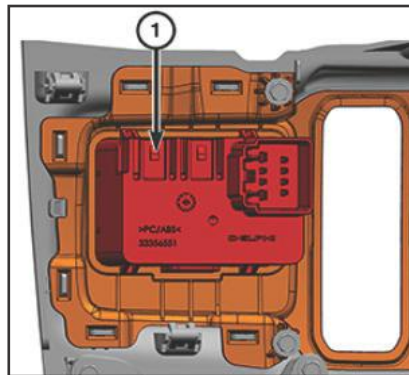
5. Once the **AXUSB-RAM1** is installed, this portion of the dash can be reassembled.



(Figure A)



(Figure B)



(Figure C)

CAMERA REMOVAL

1. Remove the (8) 5/32" bit screws from the tailgate panel, where indicated. (Figure A)
2. Remove the panel and safely set it aside.
3. Remove the (2) 5/32" bit screws from the smaller blue panel, where indicated. (Figure B)
4. Remove the panel and safely set aside.

Note: Some trucks that do not have a bed cover may look different. Make sure to safely remove all screws and panels and set aside before lifting up the tailgate.



(Figure A)



(Figure B)

CAMERA REMOVAL (CONT)

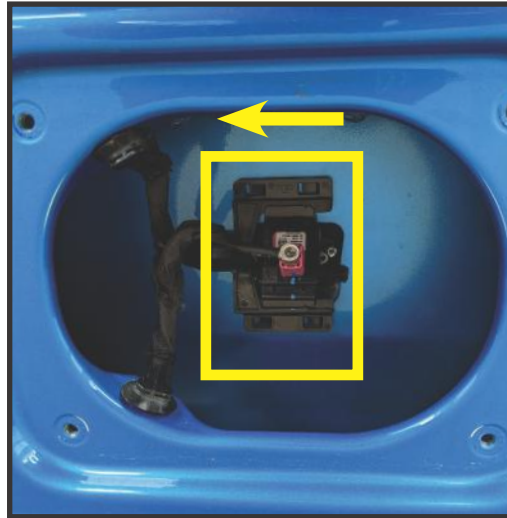
- Unplug the pink camera cable and zip-tie the cable in the well to eliminate any rattle in the tailgate.

Note: For this install the pink cable will not be used.

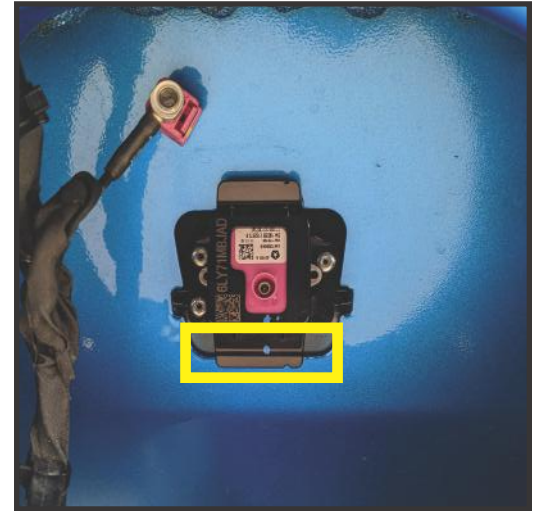
- Remove the retention clip around the camera by sliding in the direction of the arrow and set aside. (Figure A)

Note: The clip will be retained for installing the new camera.

- Press the clip in, located below the camera, and slide the camera out towards the front side of the tailgate. (Figure B)



(Figure A)



(Figure B)

CAMERA REMOVAL (CONT.)

1. This iBEAM kit covers the two options equipped on the Jeep Gladiator.

a) Reverse or backup camera: The bracket marked number 1 is for the backup camera version. (Figure A)

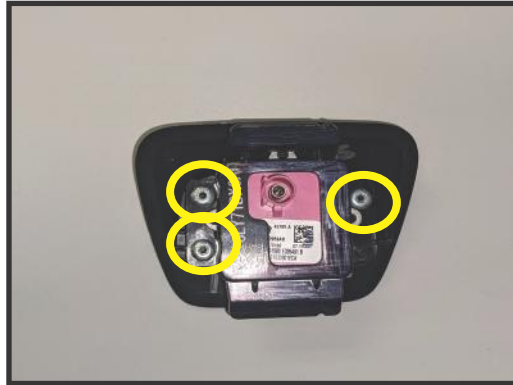
b) Surround view or 360: The bracket marked number 2 is for the surround view version. (Figure B)

Note: This kit does not RETAIN the 360 system. It replaces the backup camera of the system. The 360 or surround view system will be lost.

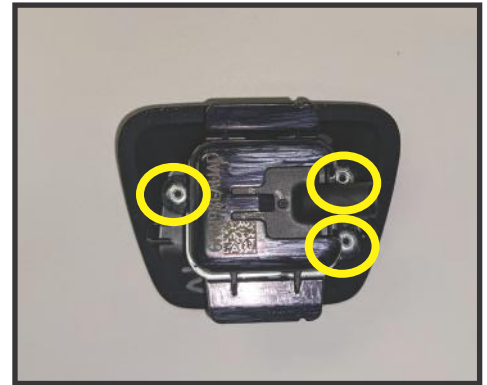
2. Remove the (3) torx T6H screws from the back of the camera housing.

3. Remove the bracket and factory camera.

Note: Retain in case the factory camera needs to be put back in.



(Figure A)



(Figure B)

CAMERA ASSEMBLY

1. Select the proper housing for the **JP-JTKT** camera.
2. Pull the extension wire from the aftermarket camera through the hole between the number and the arrow. (Figures A & B)

Note: Make sure the camera is properly positioned with the top of the camera indicated by the QC sticker and the top of the bracket indicated by the arrow pointing towards the top of the factory housing.

3. Place the factory housing over the camera and secure with the factory screws removed in camera removal.

Note: The positions of the screws differ depending on the factory backup camera (Figure A) or surround view or 360 camera (Figure B).



(Figure A)



(Figure B)

WIRING

1. Reassemble the camera into the tailgate by following the camera removal steps in reverse.
2. Run the wire, following the old camera wiring from the tailgate to the truck bed. (Figure A)
3. Once inside the vehicle, power the camera via a reverse trigger from the taillight.
4. Connect the **Red** wire to the reverse trigger. Connect the **Black** wire to a chassis ground.

Note: There is a **Red** wire located at the opposite end of the harness with the **Yellow** RCA, if the user wants the camera powered with an accessory circuit.

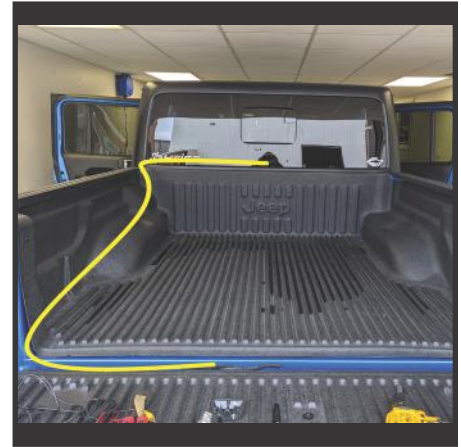
5. Run the wire down the length of the vehicle carefully. (Figure B)

Attention: Make sure not to run the wire near any objects that emit extreme heat or could catch or pinch the wire.

6. Connect the **Yellow** RCA to the aftermarket radio. There is a **Red** wire with the RCA, this can be used in two ways:
 - a) This wire can bring a reverse trigger to the front of the vehicle, if the camera is powered in the rear.
 - b) This wire can be used to power the camera in the front, if the camera is powered via an accessory circuit.



(Figure A)



(Figure B)

USB REPLACEMENT & CAMERA INSTALLATION

If power is required for the camera, the connection must be hardwired.

- This can be done at the radio using the **Red** wire for power, and the **Black** wire for ground.
- The **Black** Ground wire from the camera will have to be extended and routed to the front with the video RCA. (Figure A)

Note: Remove the glovebox to route the camera RCA to the dash.



(Figure A)

If equipped with TPMS, and you wish to add the visual to the Pioneer Radio screen:

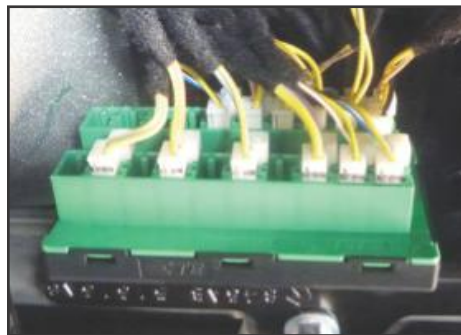
- Route the LD-CAN3T harness behind the glovebox and connect to the junction pictured below. Any available spot can be used. If no spots are available, unplug one of the 2-pin connectors and connect to the other end of the LD-CAN3T. This will connect to the LD-CH5-PIO 2-Pin labeled "CAN 3".

If you do NOT have the LD-CAN3T:

- Connect **Brown/White** from the LD-2PIN-CAN to one of the 2-pins **Yellow** wire, then **Brown** to the other wire in the 2-Pin. This will connect to the LD-CH5-PIO 2-Pin labeled "CAN 3".

Brown/White = CAN LOW **Brown** = CAN High

Note: The glovebox must be removed to access this connection. Refer to photo for connection point. (Figure B)



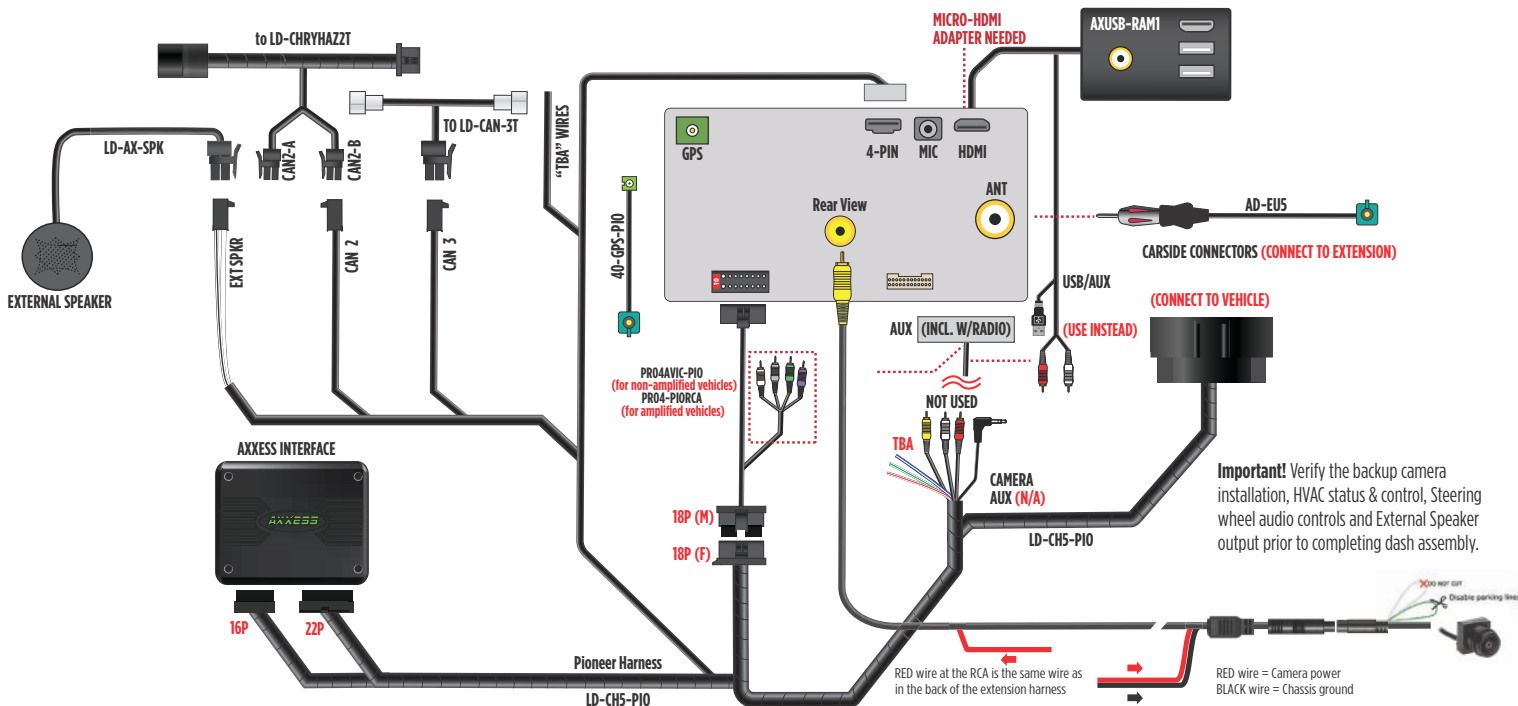
(Figure B)

INTERFACE INSTALLATION

If the vehicle is equipped with rear parking sensors that you wish to retain:

- Install the provided speaker in the dash prior to assembling the radio components.

- Make sure this is mounted in a location suitable for the driver to hear.*
- * Audio level for the speaker can be changed via the radio, once installed.



DASH ASSEMBLY

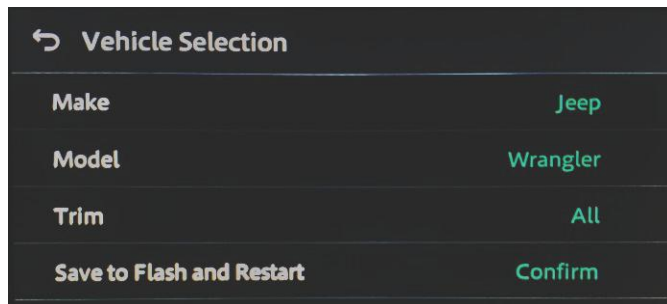
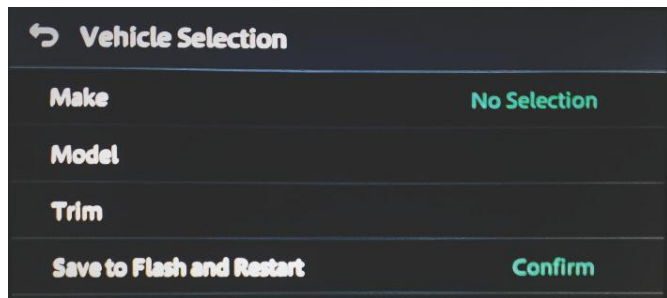
Once all functions are verified:

1. Mount the Pioneer radio into place using the (4) screws removed from dash disassembly.
2. Attach the radio faceplate provided with this kit and secure it below the radio with the (2) Phillips screws from dash disassembly.
3. Replug and snap the climate control panel into the dash the same way it was removed.
4. Reattach the panel under the steering column to complete the installation.

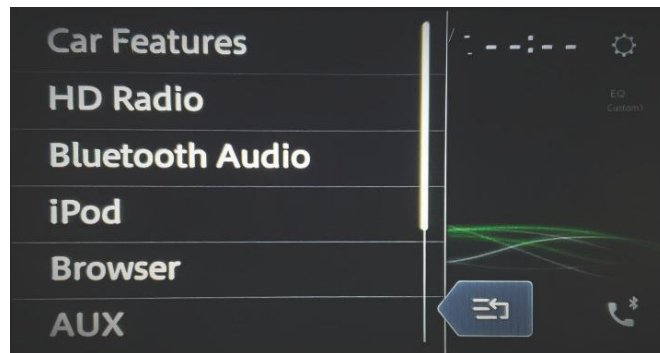
RADIO OPERATION

Vehicle Selection – Allows you to select the vehicle the radio is being installed in.

- Vehicle type must be selected to activate menu & HVAC functions, as well as steering wheel controls. Press Make to change the vehicle type. Then press Confirm. The radio will then reset and lock in the selected vehicle.



Car Features – The source for accessing all vehicle information and options.

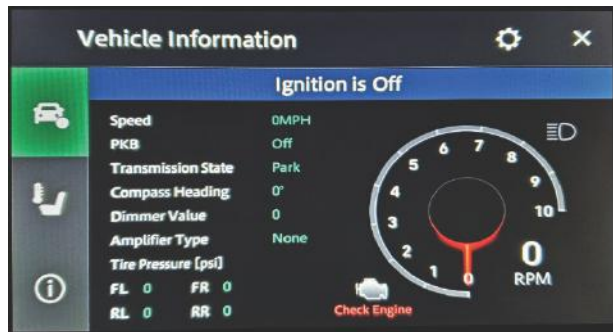


RADIO OPERATION (CONT)

HVAC Operation – HVAC Status and Control Screen. (Status only on single zone vehicles, Status and control on dual zone vehicles)

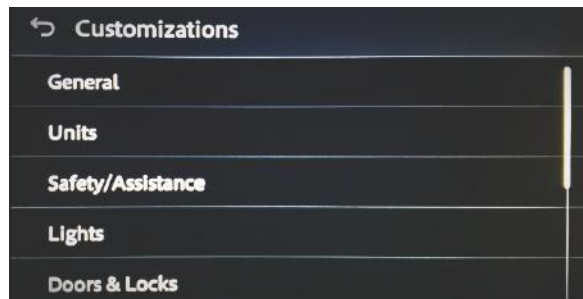


Vehicle Info Screen – Displays various information of the vehicle (TPMS, Park Position, Lights).

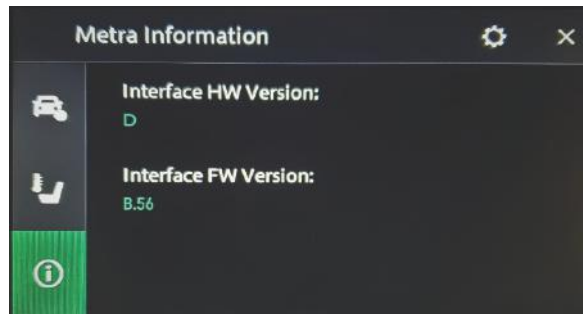


Customizations Menu – Allows full control of vehicle personalization options.

- Access this menu by selecting the gear icon on the previous screenshot.



About Screen – Feedback screen for interface software information.

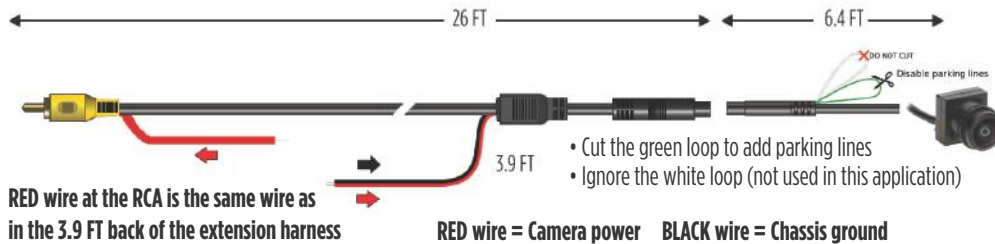


SPECIFICATIONS

- RCA output for aftermarket radios or monitors
- Can be viewed while driving with compatible monitor
- ABS plastic brackets to mount camera
- Direct OE replacement
- Resolution: 550 TV Lines
- Selectable parking lines
- Viewing angle - 160 degrees
- Water resistant - IP68

JP-JTKT Kit Includes

- One (1) camera and (1) extension cable
- Two (2) camera mounting brackets:
 - Bracket labeled 1 for vehicles with backup camera.
 - Bracket labeled 2 for vehicles with surround or 360 systems. (not retainable)
- Instruction booklet



Having difficulties? We're here to help.



Contact our Tech Support line at:
386-257-1187



Or via email at:
techsupport@metra-autosound.com

Tech Support Hours (Eastern Standard Time)

Monday - Friday: 9:00 AM - 7:00 PM

Saturday: 10:00 AM - 7:00 PM

Sunday: 10:00 AM - 4:00 PM



KNOWLEDGE IS POWER[®]

Enhance your installation and fabrication skills by enrolling in the most recognized and respected mobile electronics school in our industry. Log onto www.installerinstitute.edu or call 386-672-5771 for more information and take steps toward a better tomorrow.



Metra recommends MECP certified technicians