

allen + roth.

ITEM #6021329/6021327

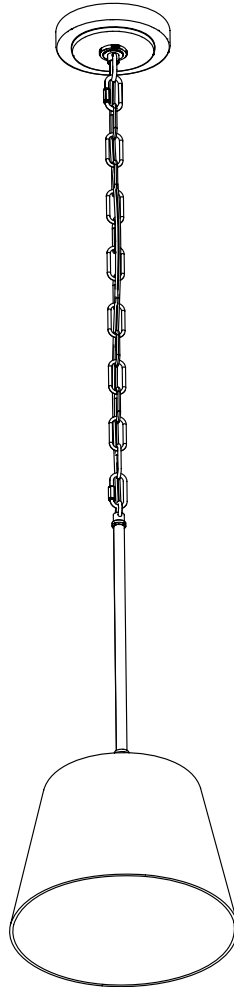
MODEL #43532/43533

**PENDANT**

**Español p. 11**

ALLEN + ROTH and logo design are trademarks or registered trademarks of LF, LLC. All rights reserved.

**ATTACH YOUR RECEIPT HERE**



Purchase Date \_\_\_\_\_



Thank you for purchasing this ALLEN + ROTH product.  
Questions, problems, missing parts?  
Before returning to your retailer, contact us at:  
**866-439-9800**, 8 a.m. - 8 p.m., EST, Monday - Sunday or [ascs@lowes.com](mailto:ascs@lowes.com).

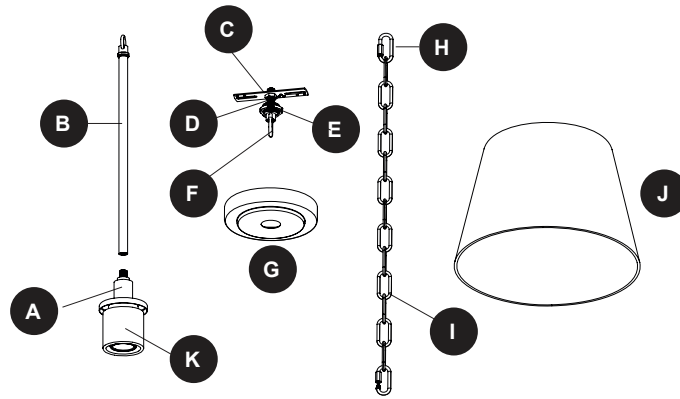
DF25163

## **TABLE OF CONTENTS**

---

Package Contents. . . . .	3
Hardware Contents. . . . .	3
Preparation . . . . .	3
Safety Information. . . . .	4
Assembly Instructions. . . . .	5
Troubleshooting. . . . .	10
3-Year Limited Warranty. . . . .	10

## PACKAGE CONTENTS



PART	DESCRIPTION	QUANTITY
A	Fixture	1
B	Decorative Rod	1
C	Mounting Bracket	1
D	Threaded Rod (preassembled to Mounting Bracket [C])	1
E	Decorative Nut (preassembled to Chain Loop [F])	1
F	Chain Loop (preassembled to Threaded Rod [D])	1
G	Ceiling Plate	1
H	Open Link (preassembled to Chain [I])	2
I	Chain	1
J	Glass Shade	1
K	Socket Ring (preassembled to Fixture [A])	1

## HARDWARE CONTENTS

AA



Wire Connector  
Qty. 3

RR

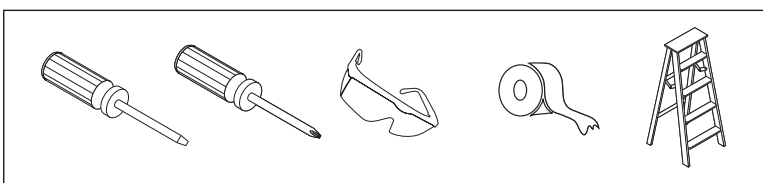


Bracket Screw  
Qty. 2

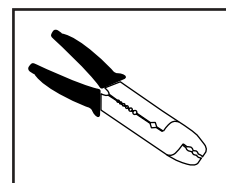
## PREPARATION

**Estimated Assembly Time:** 60 minutes

Tools Required for Assembly (not included):



Helpful Tools (not included)



## SAFETY INFORMATION

---

Please read and understand this entire manual before attempting to assemble, operate or install the product. Failure to do so could lead to electrical shock, fire or other injuries that could be hazardous or even fatal.

- Before you begin installing the light, disconnect the power by removing fuses or turning off the circuit breakers.
- The net weight of the light kit is **3.96 lbs.**
- **This fixture is intended for indoor use. It is not suitable for damp or outdoor locations.**

### **DANGER:**

- DO NOT connect this fixture to an electrical system that does not provide a means for equipment grounding. Never use a fixture in a two-wire system that is not grounded. Installing a fixture into an electrical system not having a proper grounding means could cause metal parts of the fixture to carry electrical currents if any of the fixture wires, wire connections or splices were to become broken, cut or loose during the mounting or normal operation of the fixture. Under this condition, anyone coming in contact with the fixture would be subject to electrical shock, which could cause serious injury or death.
- DO NOT connect the bare or green insulation fixture ground wire to the black (hot) current-carrying wire or the white neutral house wire. Connection of the bare or green fixture ground wire to the black or white house wires may cause metal parts of the fixture to carry electrical currents. Under this condition anyone coming in contact with the fixture will receive electrical shock, which could cause serious injury or death.
- DO NOT damage or cut the wire insulation (covering) during installation of the fixture. DO NOT permit wires to contact any surface having a sharp edge. To do so may damage or cut the wire insulation, which could cause serious injury or death from electrical shock.

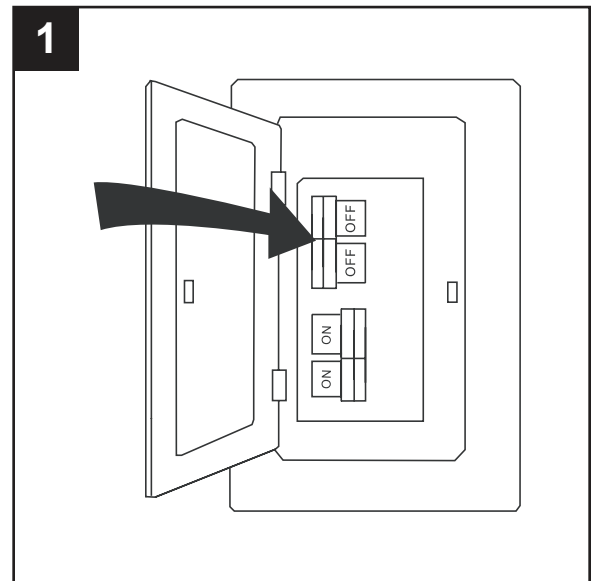
### **WARNING:**

- All electrical connections must be in agreement with local codes and ordinances, the National Electric Code (NEC) and ANSI/NFPA 70-1999. Contact your municipal building department to learn about your local codes, permits and/or inspections. Risk of fire - most dwellings built before 1985 have supply wire rated for 140°F. Consult a qualified electrician before installation.
- To avoid personal injury, the use of gloves may be necessary while handling fixture parts with sharp edges.
- DO NOT suspend any fixture by the house wires. A fixture must always be mounted directly to an outlet box. Wire connectors will not support the weight of a fixture. Suspending a fixture by the house wires and wire connectors will result in the fixture falling, with the possibility of personal injury and the danger of electrical shock or fire.
- To reduce the risk of fire, electrical shock, or personal injury, each wire connector used with this light kit should accept only one 18-gauge wire from the light fixture and one 18-gauge wire from the outlet box. If there are three or more wires to connect or any of the wires is larger than 18 gauges, consult an electrician for the proper size wire connectors to use.

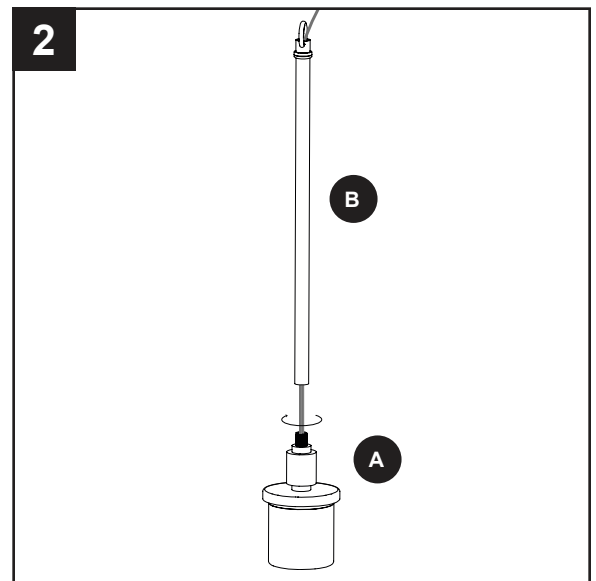
## ASSEMBLY INSTRUCTIONS

1. Turn off the circuit breakers and the wall switch to the supply line leads.

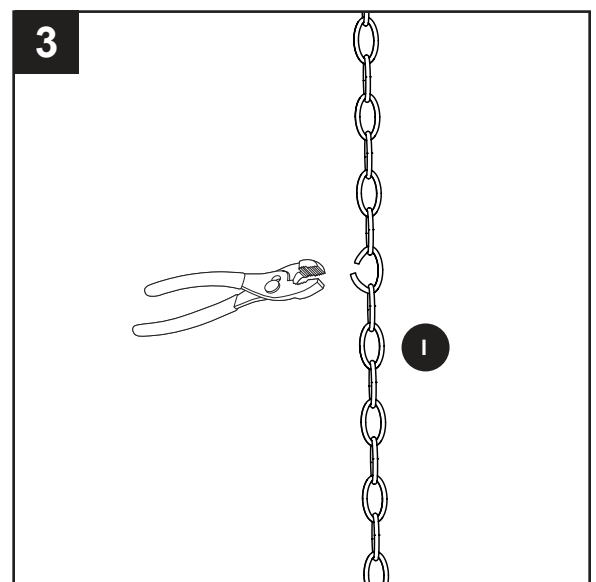
**⚠ DANGER:** Failure to disconnect the power supply prior to installation may result in serious injury or death.



2. Twist decorative rod (B) in a clockwise direction to secure to fixture (A).

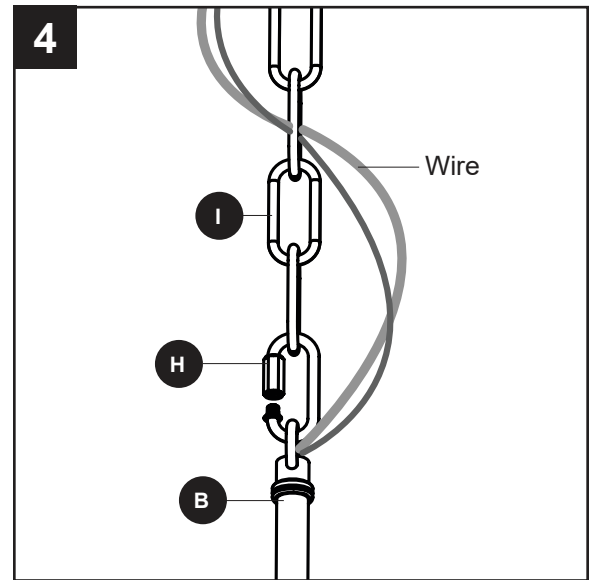


3. If desired, use pliers (sold separately) to open and remove links from chain (I) to shorten the chain (I) to desired length.

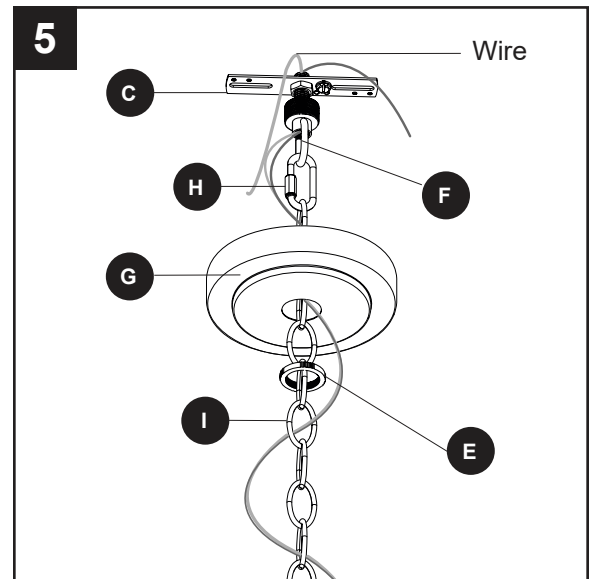


## ASSEMBLY INSTRUCTIONS

4. Unscrew the nut on open link (H), connect the chain (I) to the decorative rod (B), then close the open link (H). Weave the wires from the fixture (A) through the loops of the chain (I).



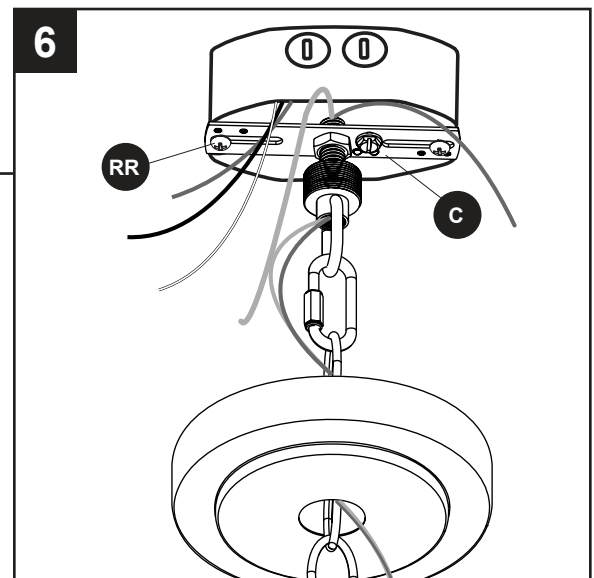
5. Feed the chain (I) and wire through the decorative nut (E) and the ceiling plate (G) and mounting bracket (C). Then use an open link (H) to connect the chain (I) to the chain loop (F) preassembled to the mounting bracket (C).



6. Use the bracket screws (RR) to attach the mounting bracket (C) securely to the outlet box (sold separately).

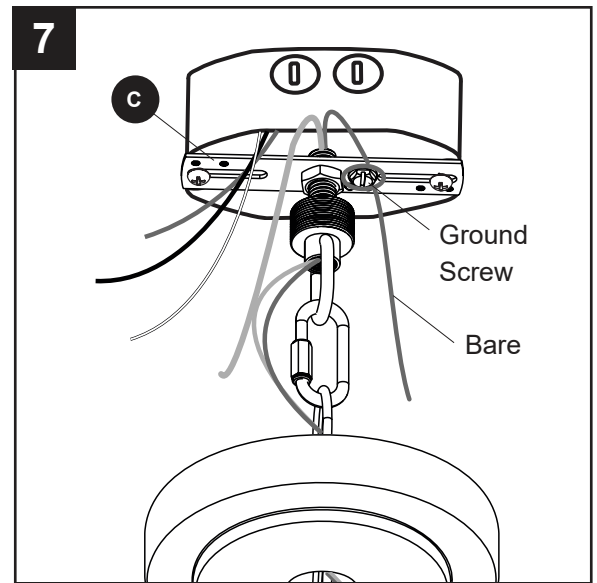
### Hardware Used

**RR** Bracket Screw  x 2

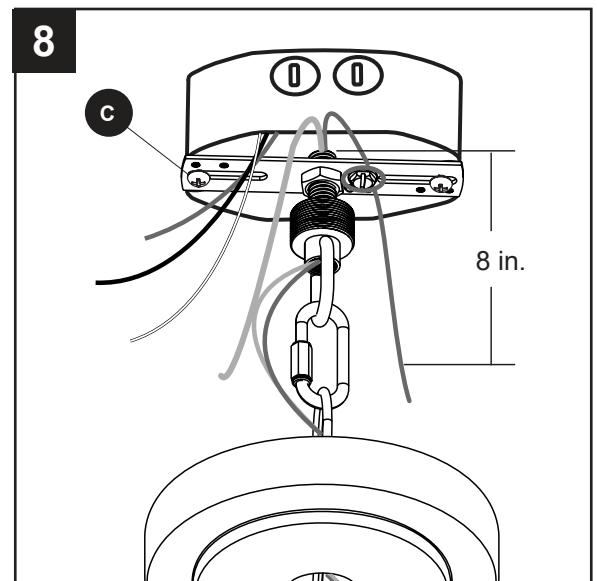


## ASSEMBLY INSTRUCTIONS

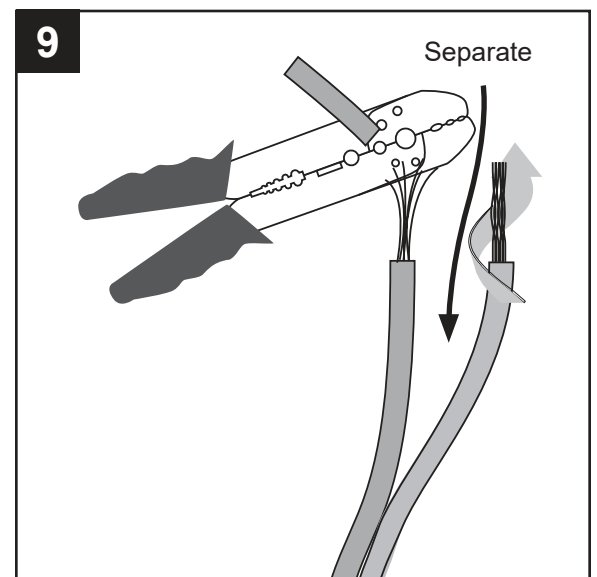
- Loosen the ground screw on the mounting bracket (C) and wrap the bare wire from the fixture around the ground screw. Tighten the ground screw to hold the bare wire in place. **Note:** Ensure there is enough of the bare wire extending from the ground screw to connect to the ground wire from the outlet box using a wire connector.



- Depending on the length of chain (I) you use, you may need to cut the lead wires back to simplify the wiring. Take the lead wires and make sure that you have pulled them all the way through the top of the mounting bracket (C) and measure 8 in. of lead wire, and then cut the excess wire off with wire cutters (not included).

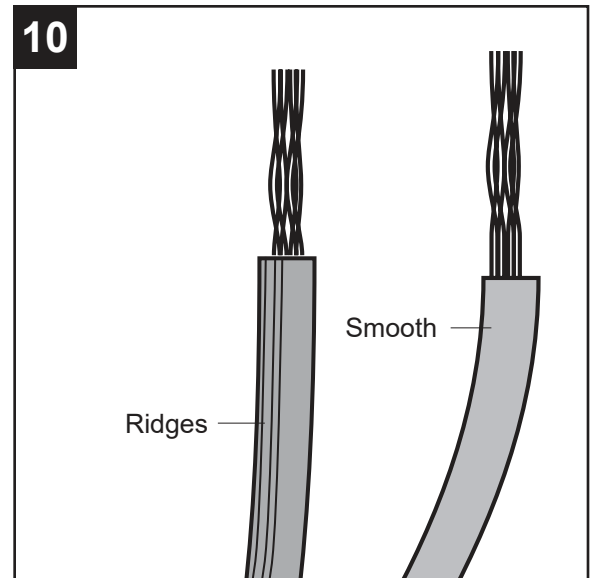


- Separate the two fixture wires all the way to the mounting bracket (C). Strip 1/2 in. of insulation from the end of the wires. Twist the stripped ends of each strand of wire within the insulation with pliers (not included).



## ASSEMBLY INSTRUCTIONS

10. Notice one wire is smooth and the other has ridges on one side.



11. Connect supply and fixture wires according to the diagram and these steps:

- Connect the Bare Copper from the fixture to the Bare/Green (ground) supply wire.
- Connect the wire with ridges from the fixture to the White (neutral) supply wire.
- Connect the Smooth wire from the fixture to the Black (hot) supply wire.

Secure all wiring connections together with wire connectors (AA).

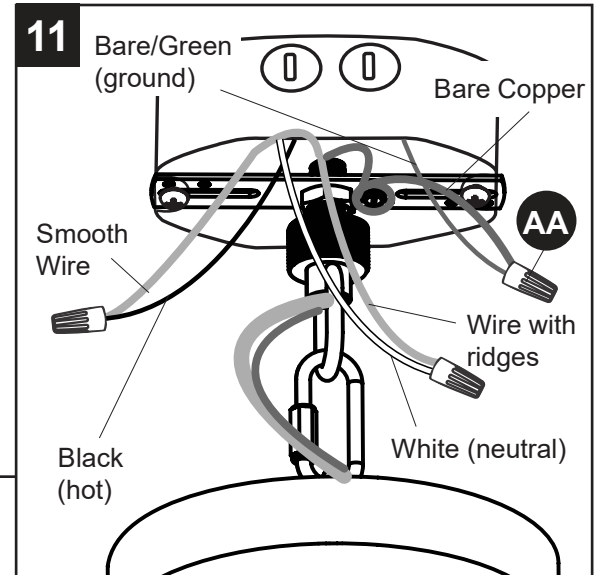
### Hardware Used



Wire Connector



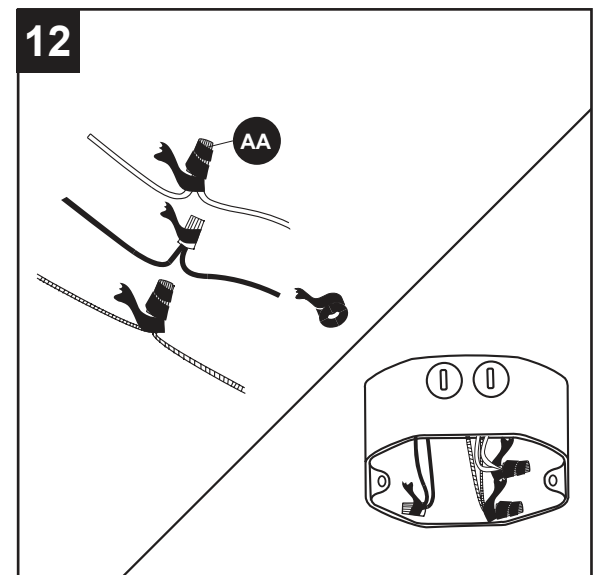
x 3



12. Wrap electrical tape (not included) around each individual wire connector (AA) down to the wire.

Turn the spliced/taped wires upward and gently push the wires and wire connectors (AA) into the outlet box.

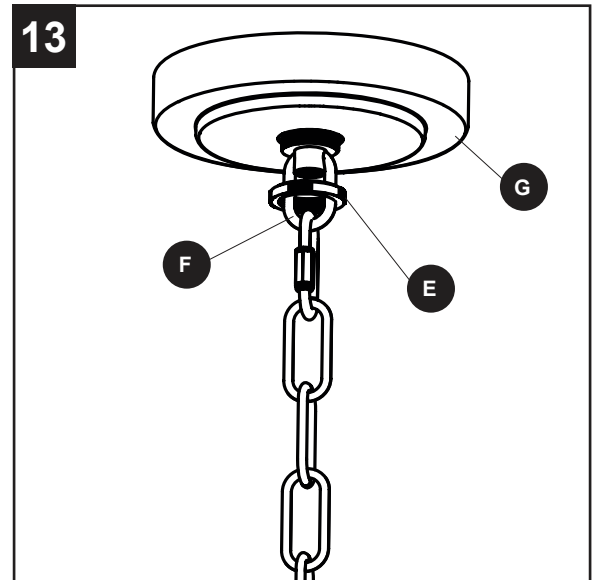
**WARNING:** Ensure no bare wire strands are visible after making connections. Place the ground and neutral supply wire connections on opposite sides of outlet box from the hot wire connection.



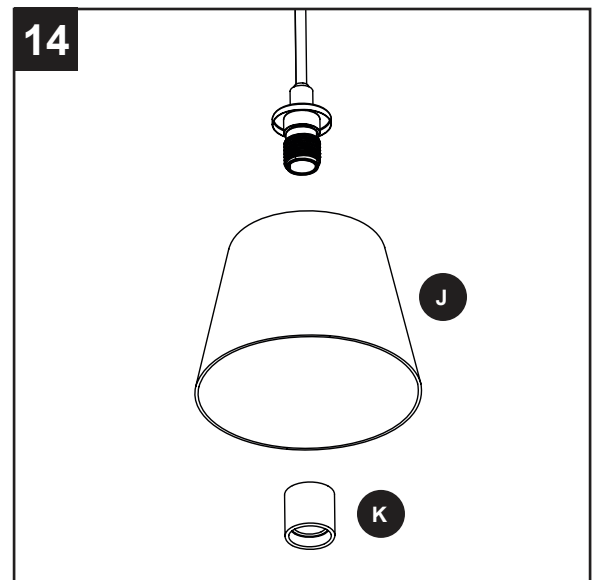
## ASSEMBLY INSTRUCTIONS

13. Lift the ceiling plate (G) flush with the ceiling. Use the decorative nut (E) to secure the ceiling plate.

**Note:** The chain loop (F) was positioned on the threaded rod (D) at the factory. If your ceiling plate (G) doesn't sit flush with the ceiling, see Troubleshooting, page 10.



14. Remove the socket ring (K) from the socket. Raise the glass shade (J) over the socket of the fixture. Secure by twisting the socket ring (K) clockwise onto the socket.

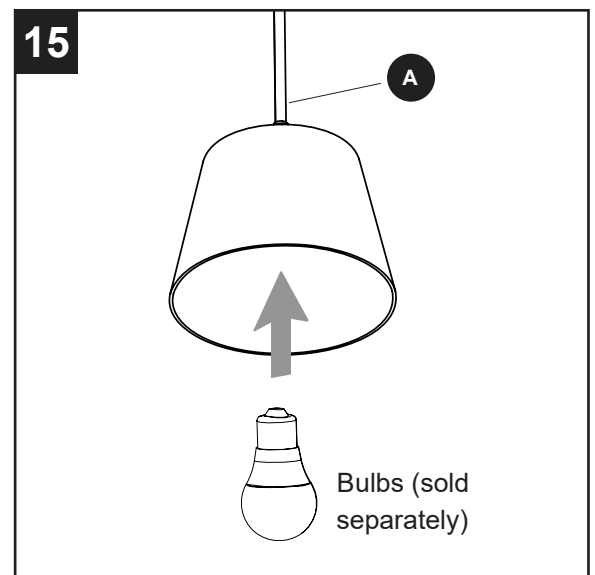


15. Install E26-base bulb (sold separately) into the socket of fixture (A).

**Note:** Fixture is compatible with any E26-base LED (25 watt max.), CFL (25 watt max.), or incandescent bulb (60 watt max.).

Restore the power to the circuit breakers and the wall switch to the supply line leads.

Assembly is complete.



## TROUBLESHOOTING

---

<b>PROBLEM</b>	<b>POSSIBLE CAUSE</b>	<b>CORRECTIVE ACTION</b>
Bulbs will not light.	1. Fixture may be wired incorrectly. 2. Worn or broken bulb.	1. Check wiring. 2. Replace bulb.
Ceiling Plate (G) does not sit flush with ceiling.	Edge of outlet box may not be flush with ceiling.	Remove the chain loop (F) from threaded rod (D) and adjust the hex nuts on the lower part of threaded rod. Reinstall the chain loop (F).

## THREE-YEAR LIMITED WARRANTY

---

The manufacturer warrants all of its lighting fixtures against defects in materials and workmanship for three (3) years from the date of purchase. If within this period the product is found to be defective, take a copy of the bill of sale as a proof of purchase and the product in its original carton to the place of purchase. The manufacturer will, at its option, repair, replace or refund the purchase price to the consumer. All costs of installation and removal of the fixture is the responsibility of the consumer. This warranty does not cover fixtures becoming defective due to misuse, accidental damage or improper handling and/or installation and specifically excludes liability for direct, incidental or consequential damages. As some states do not allow exclusions of limitations on an implied warranty, the above exclusion and limitation may not apply. This warranty gives you specific rights and you may also have other rights which may vary from state to state.